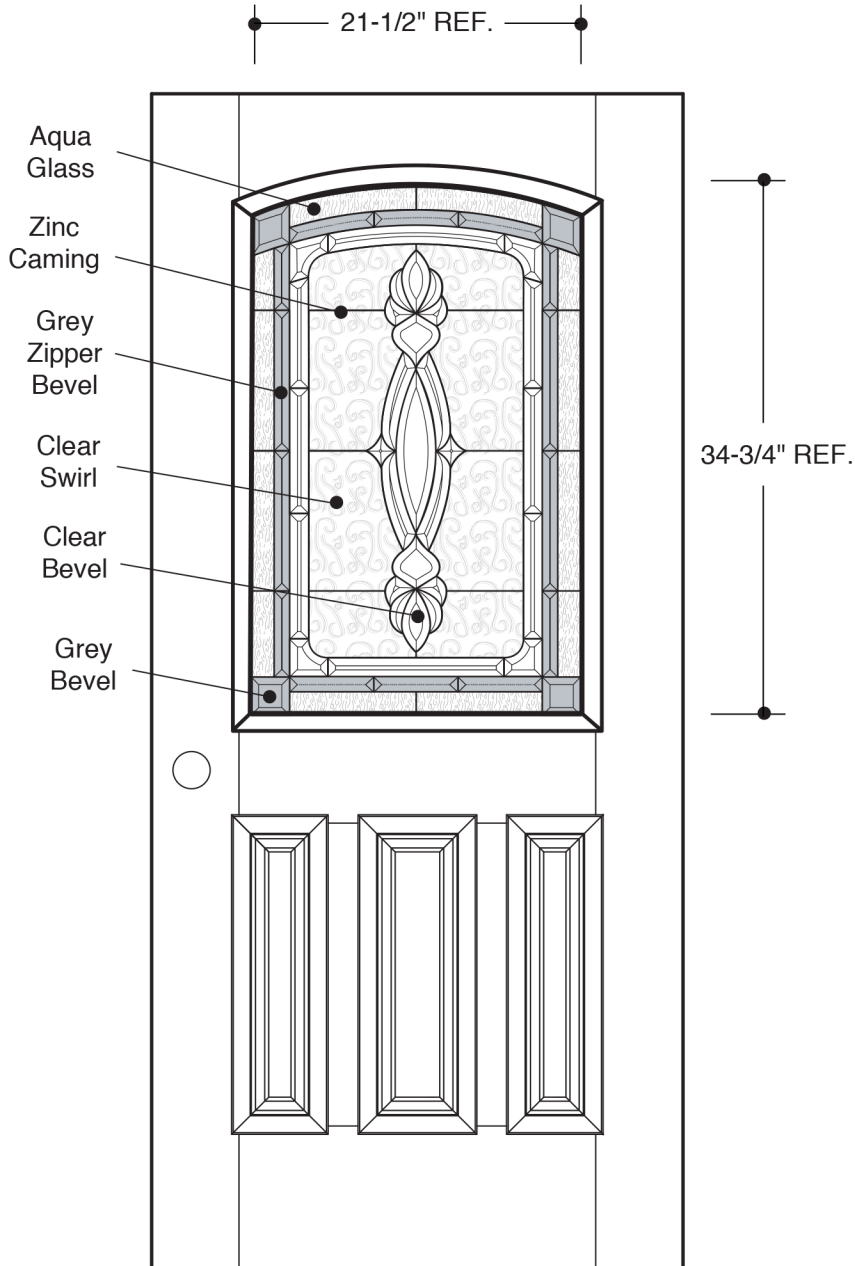


1/2 LITE CAMBER TOP



	SEE ELEVATION VIEW FOR DETAIL	3'0"

PART NO.	QTY.	DESCRIPTION
		BARRINGTON® 6'8" BR3 GLASS

Our continuing program of product improvement makes specifications, design and product detail subject to change without notice.