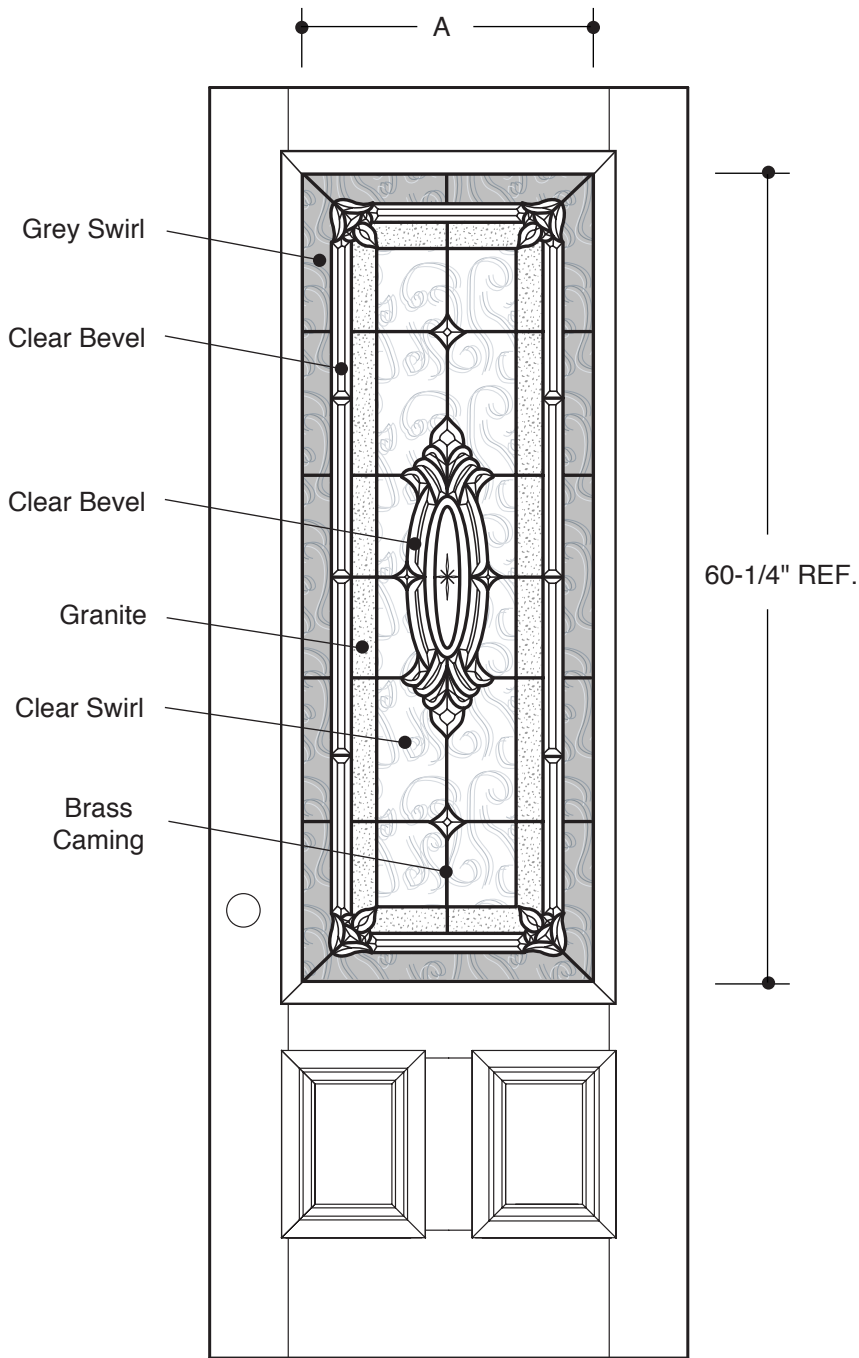


3/4 LITE RECTANGULAR

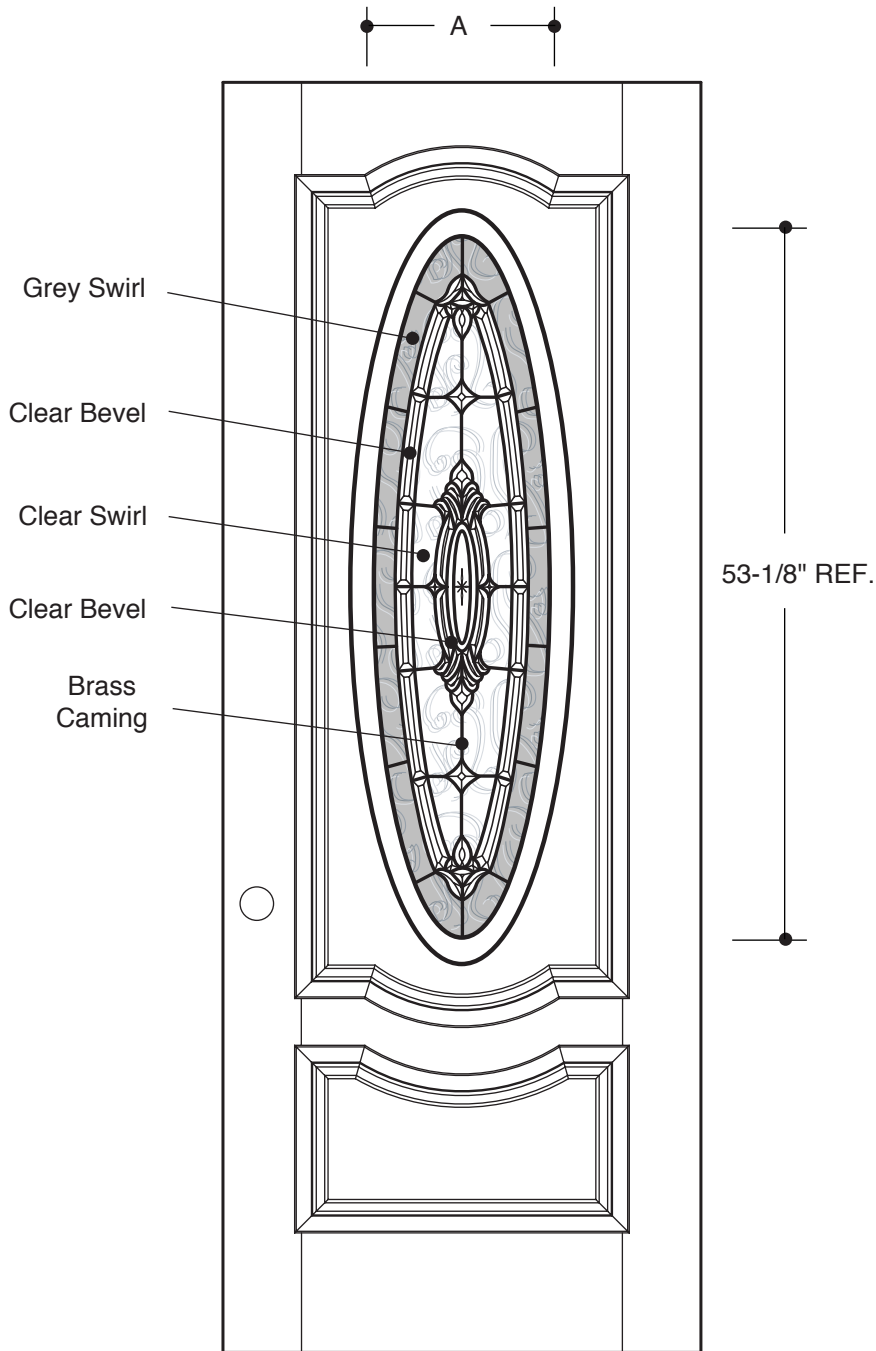


	A	21-1/2" REF.	3'0"
	A	26-1/4" REF.	3'6"

PART NO.	QTY.	DESCRIPTION
		BARRINGTON® 8'0" BR1 GLASS

Our continuing program of product improvement makes specifications, design and product detail subject to change without notice.

3/4 LITE OVAL

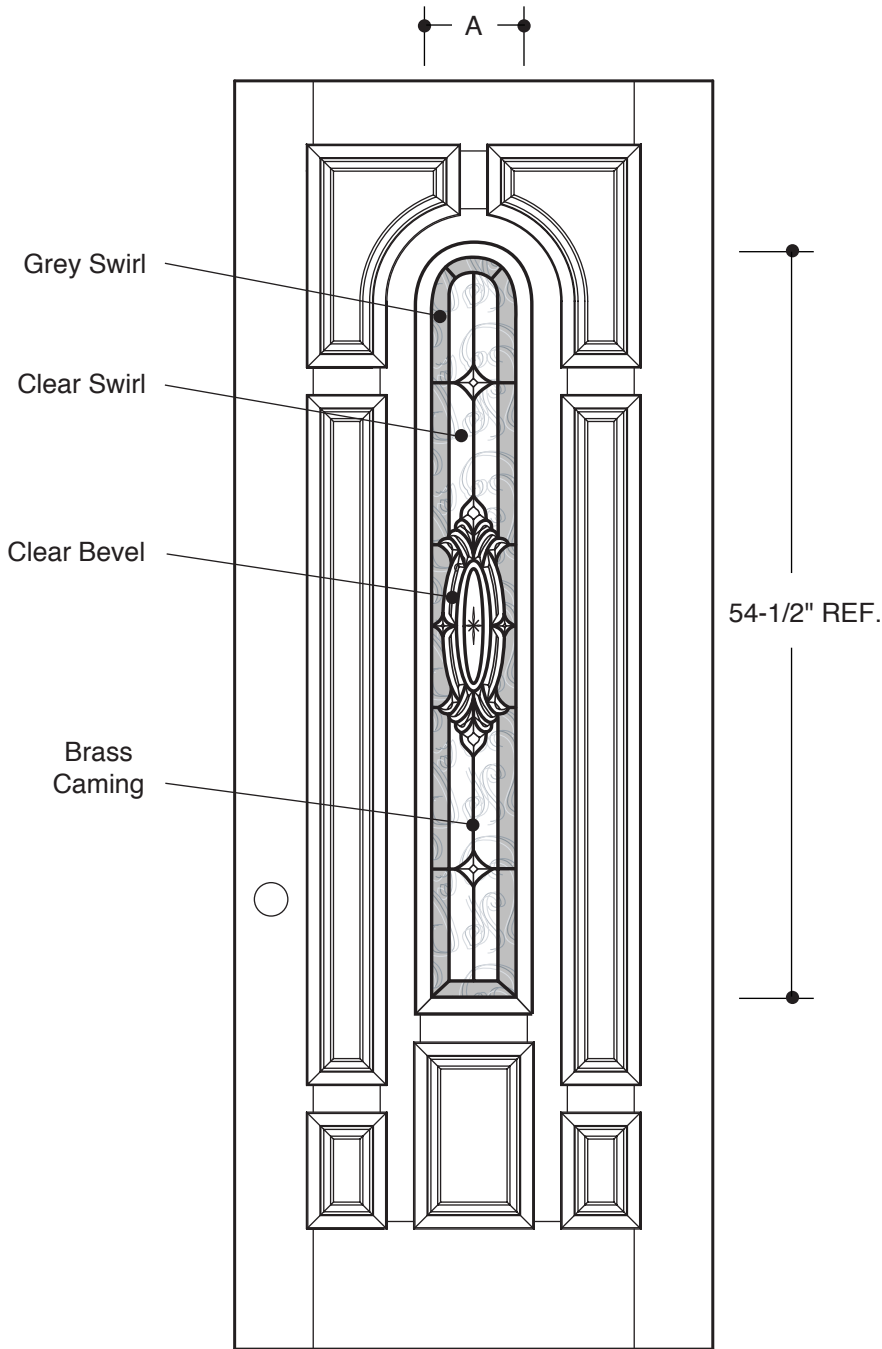


	A	13-3/8" REF.	3'0"
	A	15-3/4" REF.	3'6"

PART NO.	QTY.	DESCRIPTION
		BARRINGTON® 8'0" BR1 GLASS

Our continuing program of product improvement makes specifications, design and product detail subject to change without notice.

CENTER ARCHED LITE

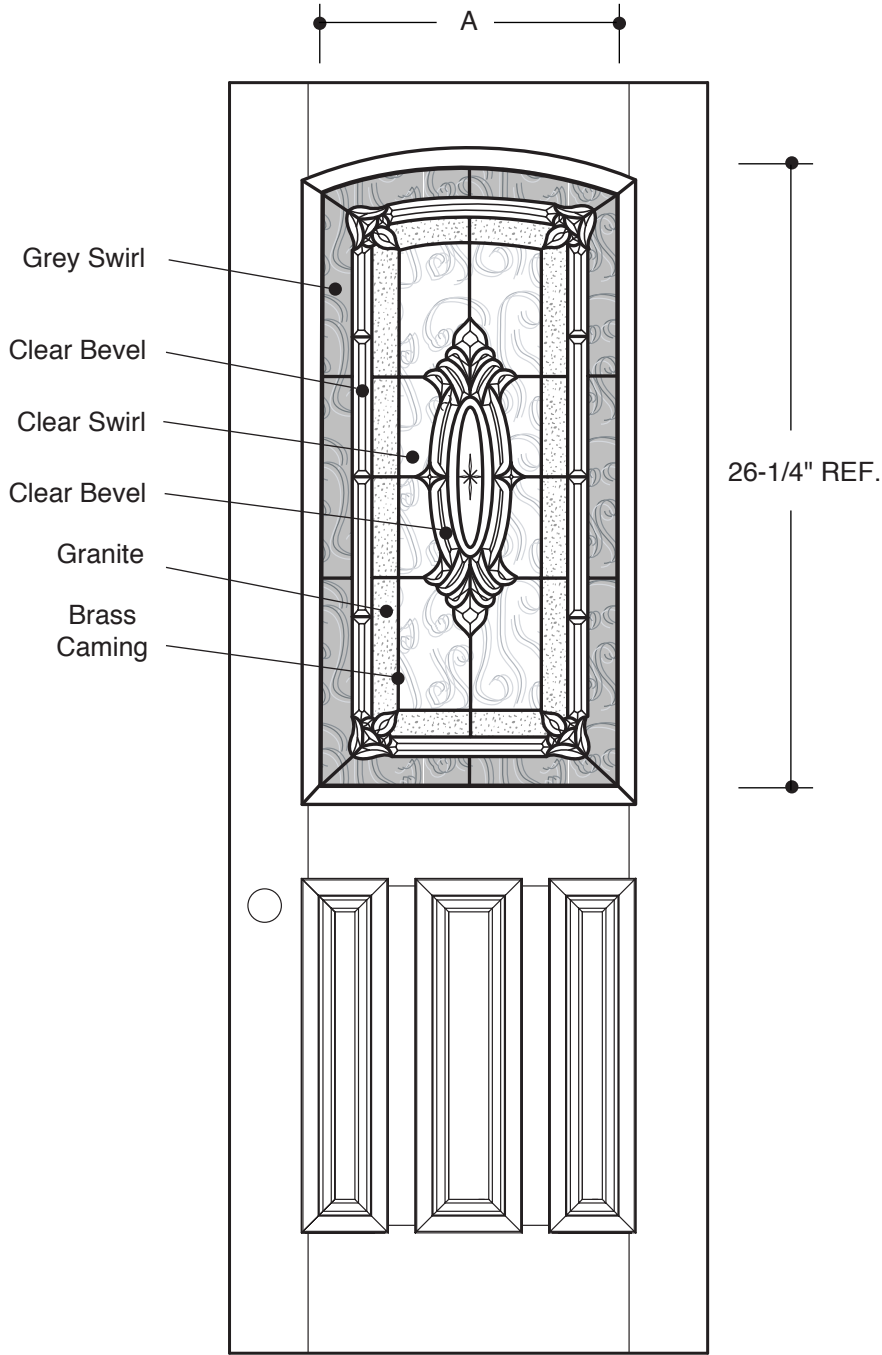


	A	5-1/2" REF.	3'0"
	A	8" REF.	3'6"

PART NO.	QTY.	DESCRIPTION
		BARRINGTON® 8'0" BR1 GLASS

Our continuing program of product improvement makes specifications, design and product detail subject to change without notice.

1/2 LITE CAMBER TOP

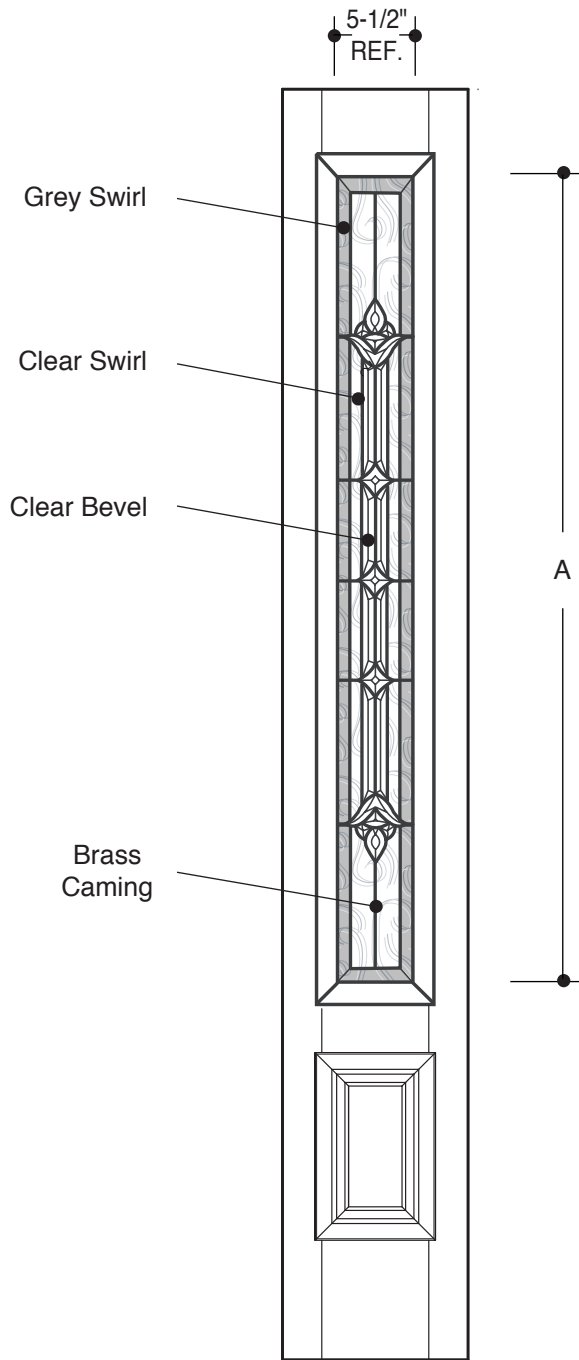


		A	21-1/2" REF.
			3'0"
		A	45-3/4" REF.
			3'6"

PART NO.	QTY.	DESCRIPTION
		BARRINGTON® 8'0" BR1 GLASS

Our continuing program of product improvement makes specifications, design and product detail subject to change without notice.

3/4 LITE RECTANGULAR

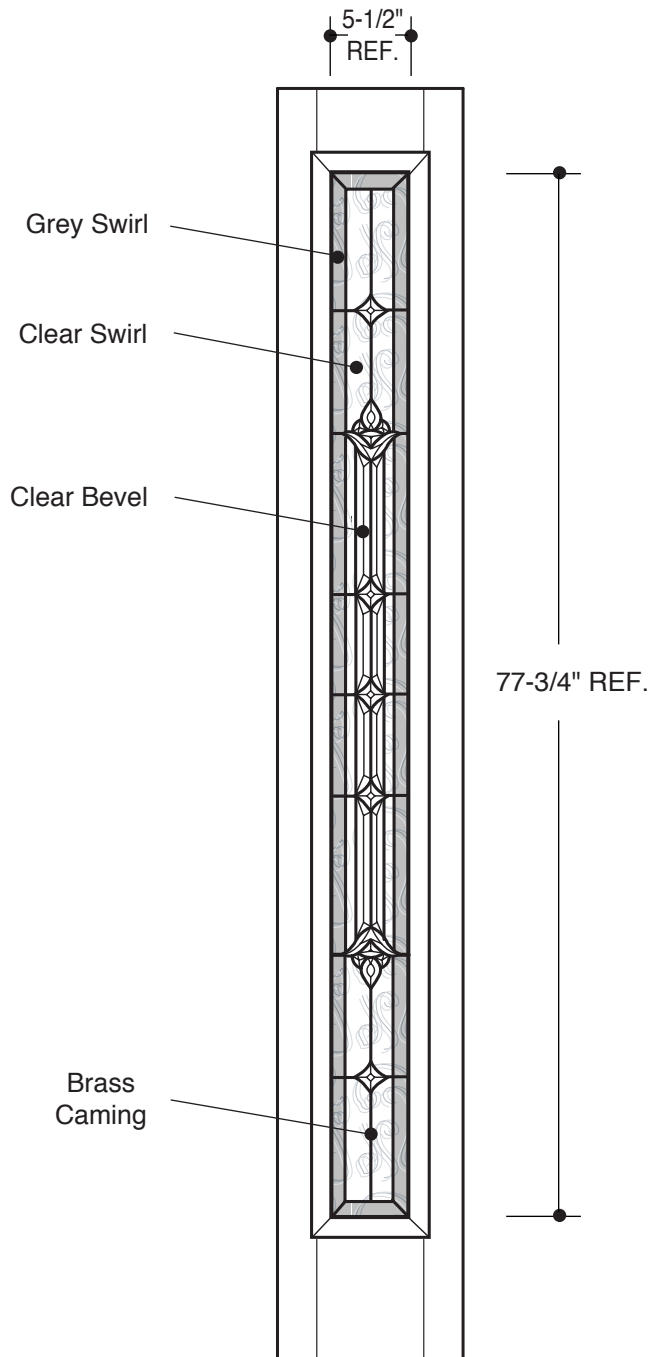


Matches 2-Panel 3/4 Lite Style Doors	A	60-1/4" REF.	12"
Matches 2-Panel 3/4 Lite Style Doors	A	61-1/4" REF.	14"
Matches Parliament 8-Panel Doors	A	61-3/4" REF.	12"
Matches Parliament 8-Panel Doors	A	61-3/4" REF.	14"

PART NO.	QTY.	DESCRIPTION
		BARRINGTON® 8'0" BR1 GLASS

Our continuing program of product improvement makes specifications, design and product detail subject to change without notice.

FULL LITE RECTANGULAR



SEE ELEVATION VIEW FOR DETAIL	12"
SEE ELEVATION VIEW FOR DETAIL	14"

PART NO.	QTY.	DESCRIPTION
		BARRINGTON® 8'0" BR1 GLASS

Our continuing program of product improvement makes specifications, design and product detail subject to change without notice.