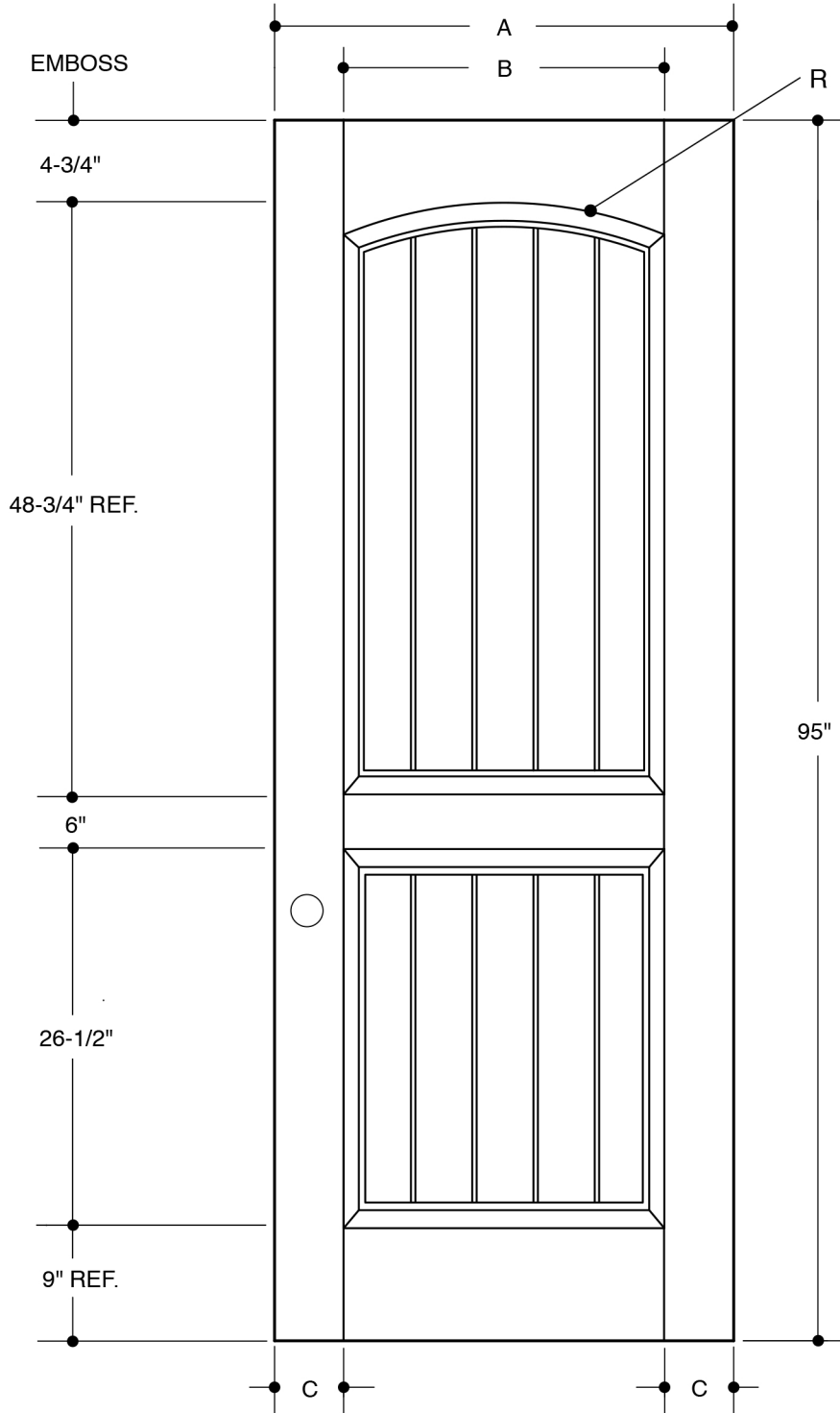


**2-PANEL  
CAMBER TOP PLANK**



A	35-3/4"	<b>3'0"</b>
B	25" REF.	
C	5-3/8"	
R	32-1/2"	
A	41-3/4"	<b>3'6"</b>
B	29-3/4" REF.	
C	6"	
R	38-3/8"	

PART NO.	QTY.	DESCRIPTION
		BARRINGTON® SIERRA™ 8'0" WOOD-GRAIN TEXTURED FIBERGLASS

Our continuing program of product improvement makes specifications, design and product detail subject to change without notice.