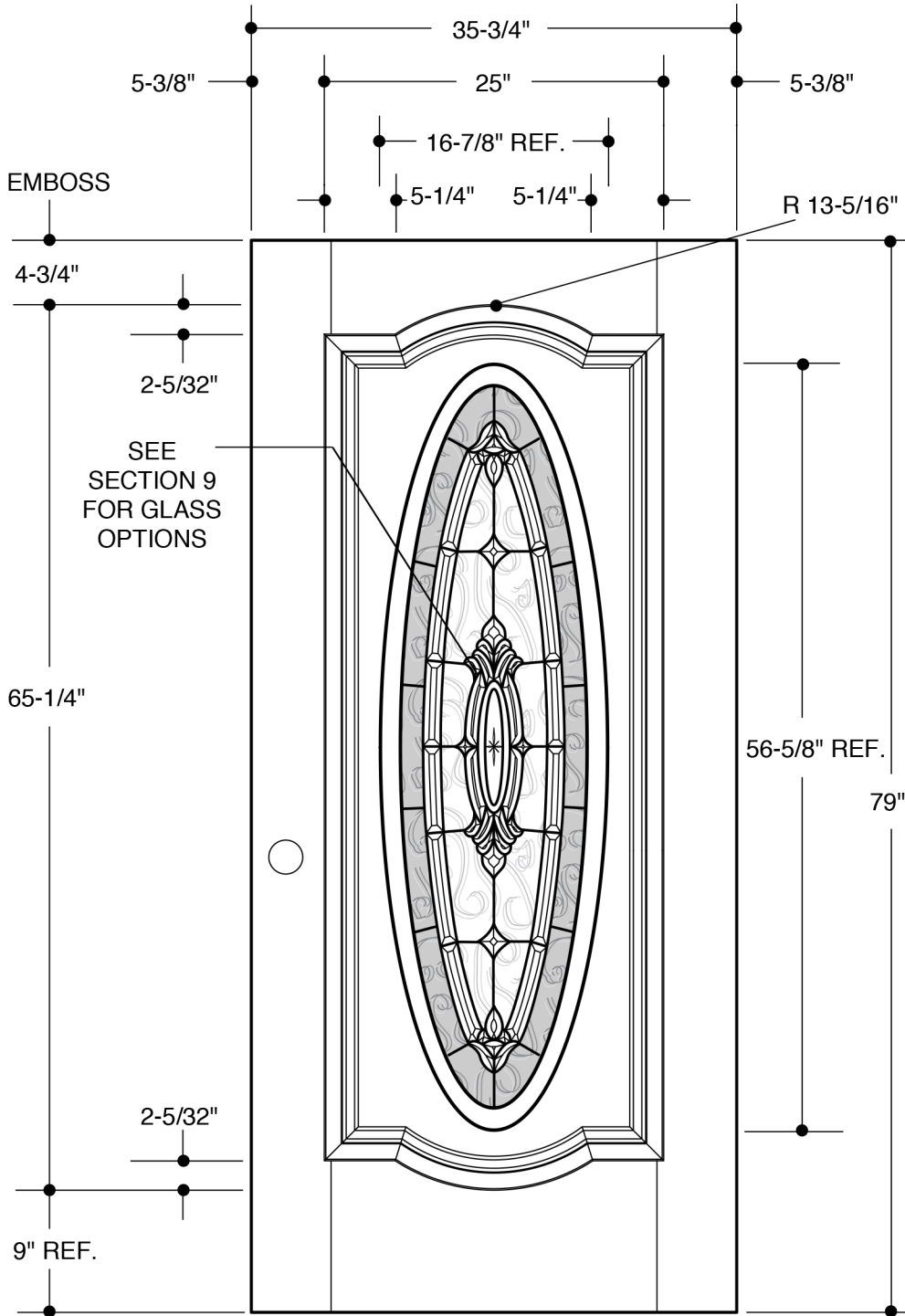


1-PANEL WITH FULL OVAL INSERT



| | | |
|--|-------------------------------|-------------|
| | | |
| | | |
| | | |
| | SEE ELEVATION VIEW FOR DETAIL | 3'0" |
| | | |

| PART NO. | QTY. | DESCRIPTION |
|----------|------|--|
| | | BARRINGTON® WOOD-GRAIN TEXTURED FIBERGLASS |

Our continuing program of product improvement makes specifications, design and product detail subject to change without notice.