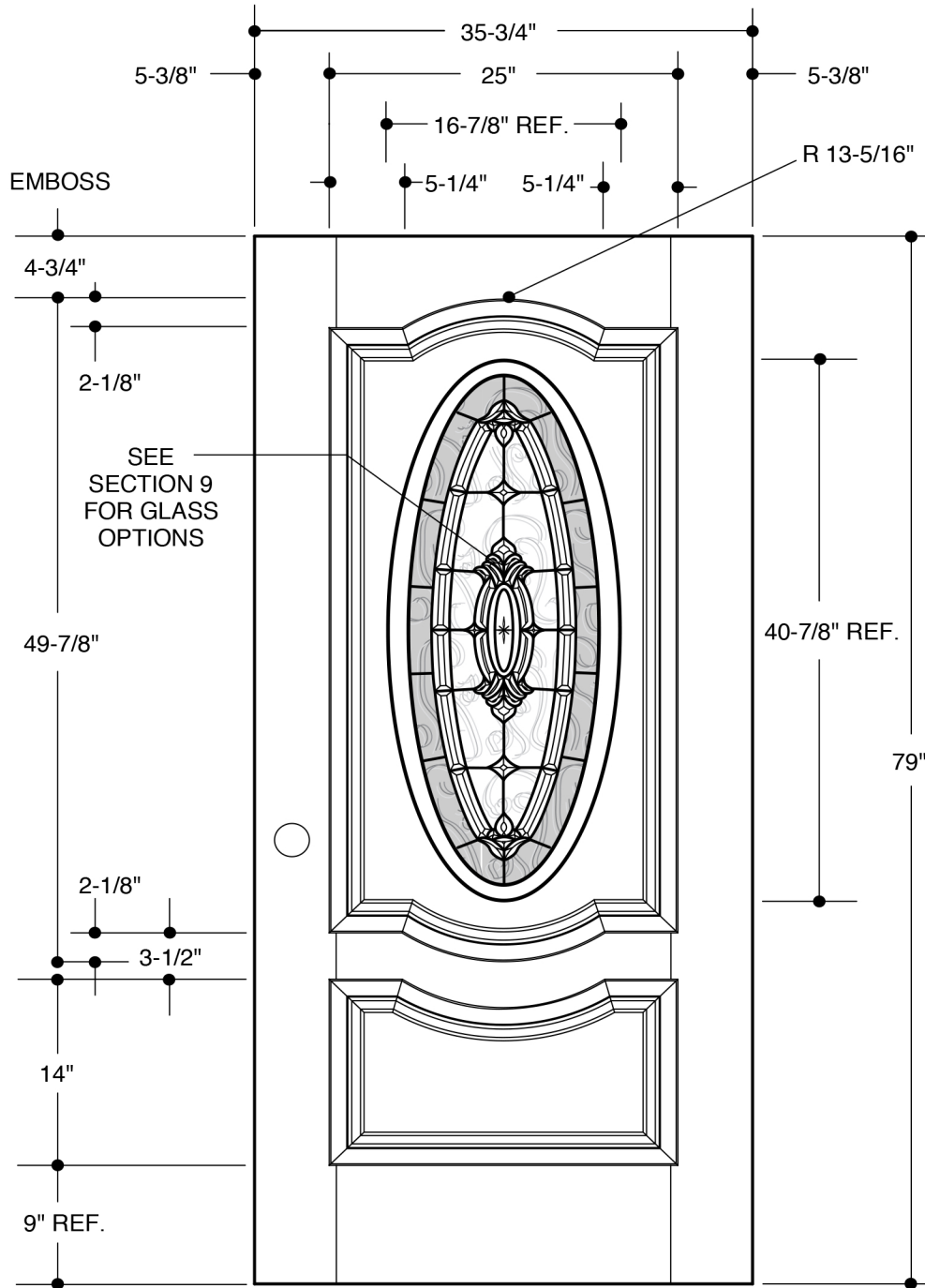


**2-PANEL WITH 3/4
OVAL INSERT**



SEE
ELEVATION
VIEW
FOR
DETAIL

3'0"

Please Note:

- 1. Available as Oak or Mahogany Wood-Grain Texture.

PART NO.	QTY.	DESCRIPTION
		BARRINGTON® WOOD-GRAIN TEXTURED FIBERGLASS

Our continuing program of product improvement makes specifications, design and product detail subject to change without notice.