

SR SERIES STANDARD FRAME

DESIGNED TO BE INSTALLED IN MASONRY WALL CONDITIONS

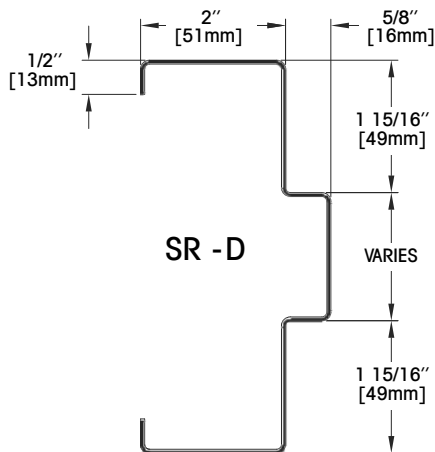
- Available knock-down (KD)
- Face welded assembly
- Solid three-sided frame application
- Welded floor anchor and mortar guard on hinge reinforcement are standard on welded frames

FIRE RATING

- Up to 3-hour (ITS/WHI) fire label

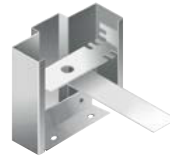
STANDARD FEATURES

- A40 galvanized steel
- 16-gauge steel



STANDARD FRAME ANCHORS

DE LA FONTAINE standard anchors are designed for use in almost any job condition. Custom anchors available.



"T" masonry anchor (TMA) with floor anchor, shipped loose



Wire masonry anchor (WMA), shipped loose



Existing wall anchor (EWA) with reinforcement, welded



Steel stud "Z" bracket anchor (ZBA), welded



Multi-purpose wood or steel stud anchor (SWS)

STANDARD FRAME HARDWARE REINFORCEMENTS



ANSI 4-7/8" strike reinforcement (16-gauge)



Standard (03134) or heavyweight (0.180) hinge reinforcement (10-gauge)

DOUBLE EGRESS FRAME

