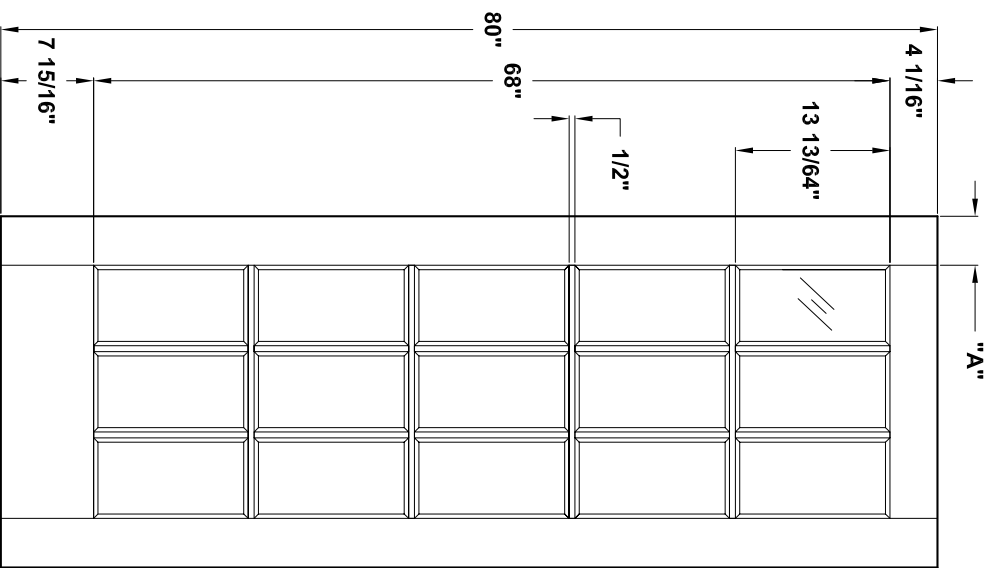
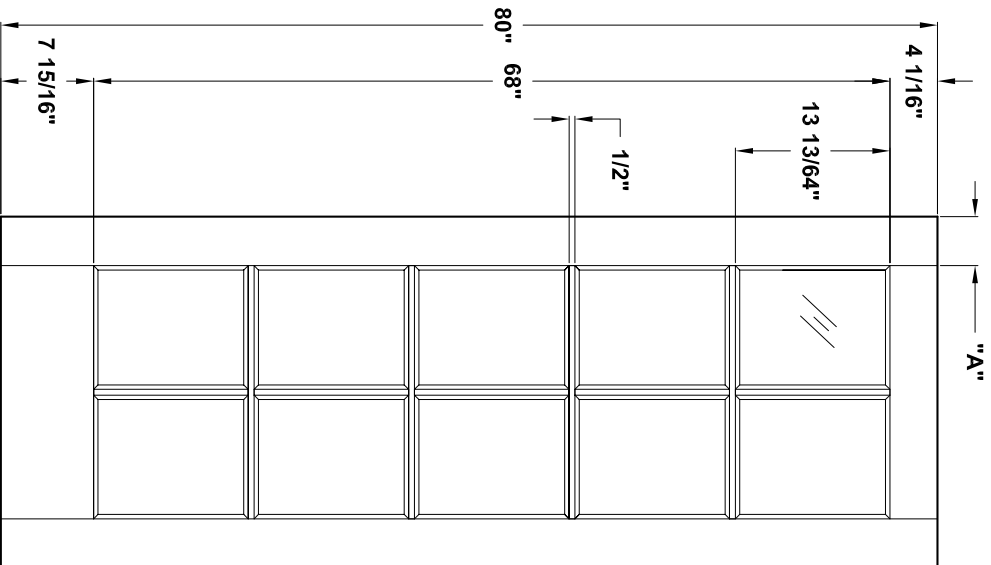
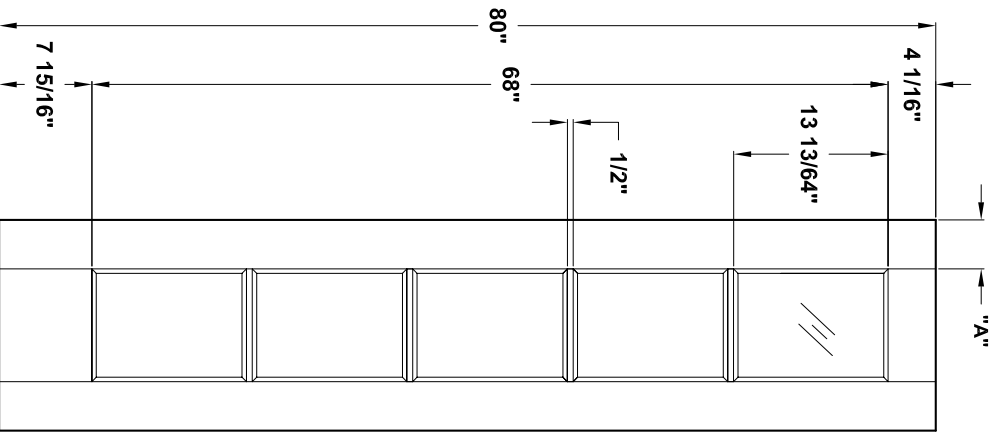


Door width	12" to 14"	16" to 36"
Stile width "A"	3"	4-3/16"



Specification sheet

Title
French door with wood mullions 5-10-15 Lite

Height
80"

Creation date
2004-June-03

Prep. by: J.C.

Revision date

Rev.
0

Scale nts

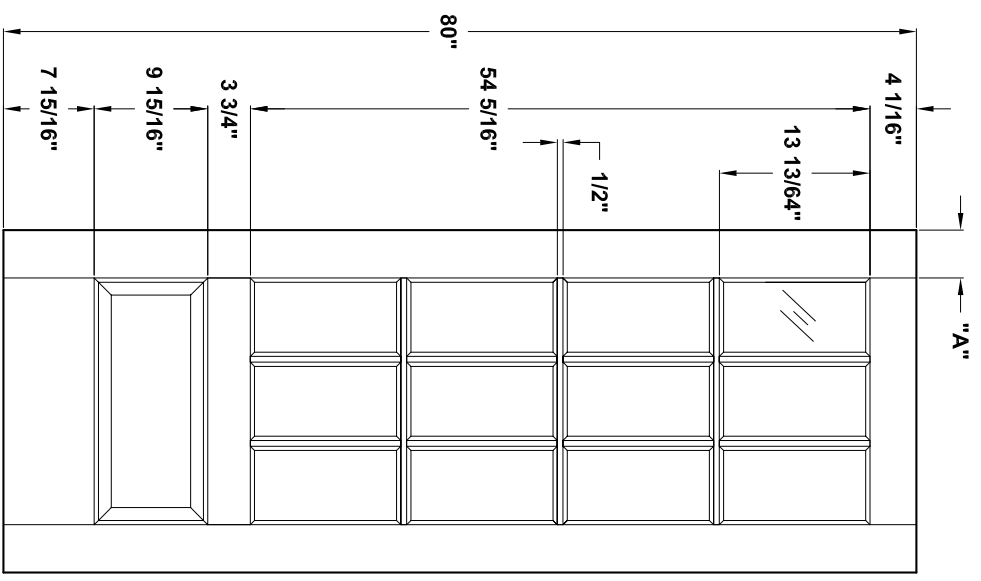
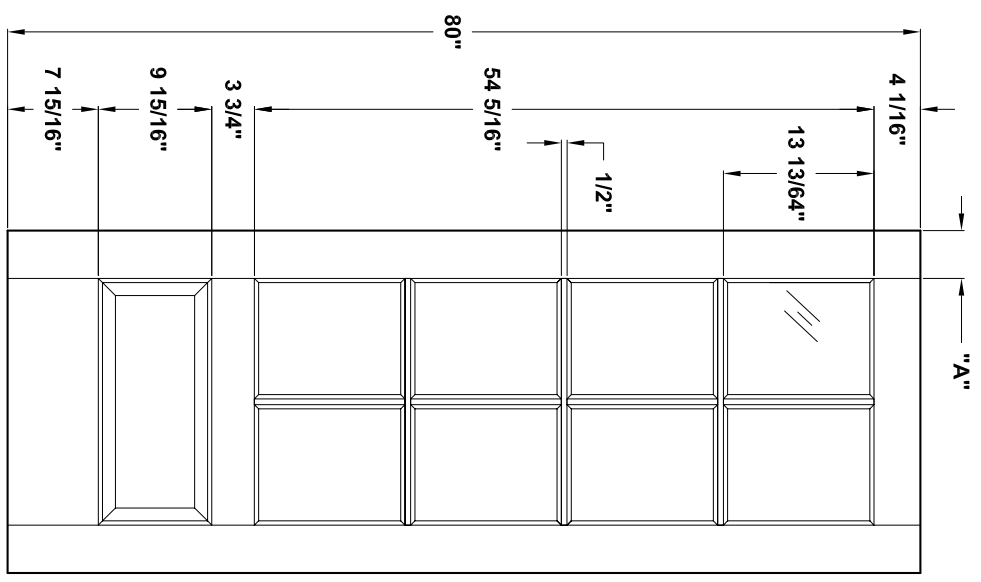
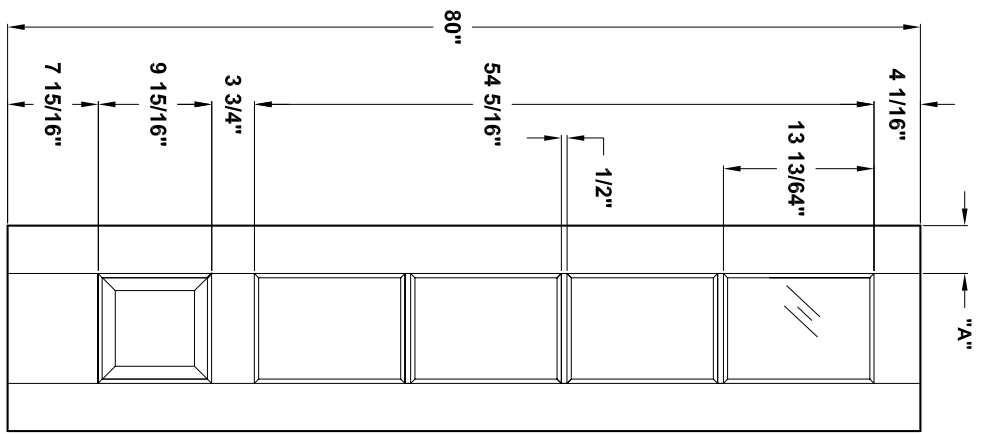


Masonite[®]

Masonite International Corporation

B80-01

Door width	12" to 14"	16" to 36"
stile width "A"	3"	4-3/16"



Specification sheet

Title French door with wood mullions
4-8-12 Lite + 1 panel

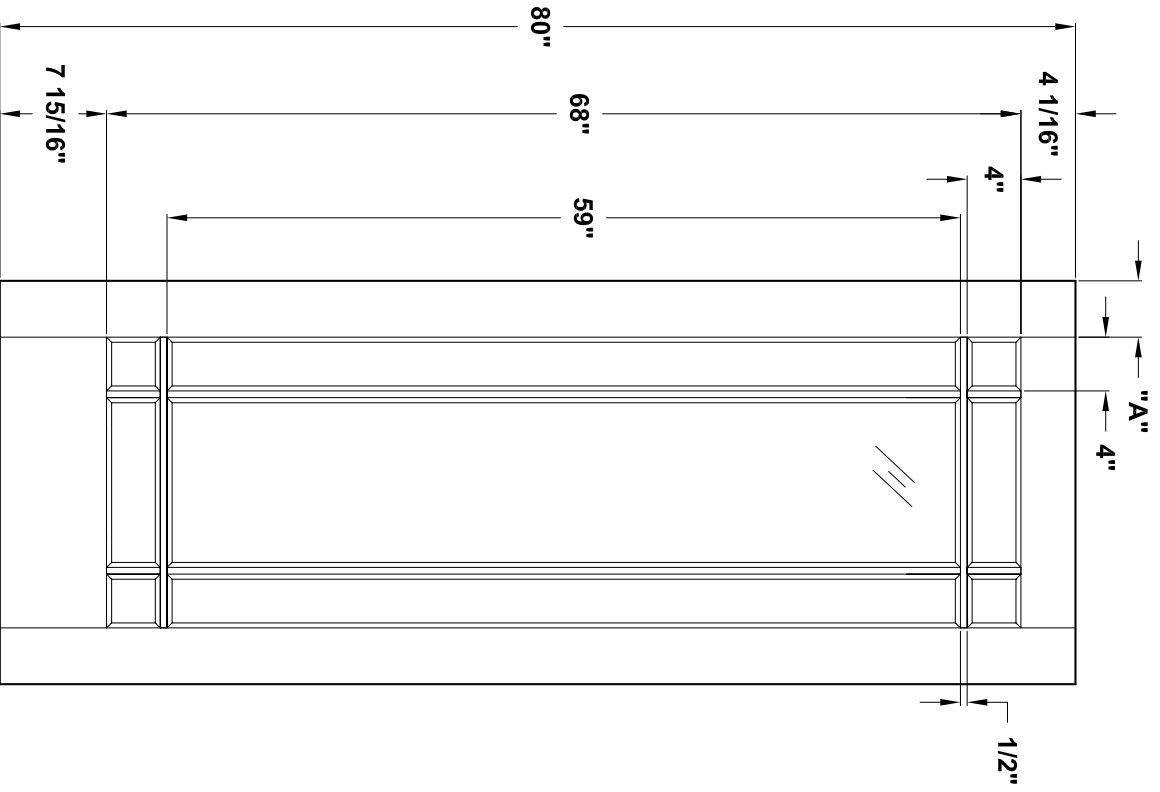
Height 80"

Creation date	2004-June-03
Prep. by:	J.C.
Revision date	-
Rev.	0
Scale	nts



B80-02

Door width	24" to 36"
stile width "A"	4-3/16"



Specification sheet

Title French door with wood mullions
 9Lite + center glass flat or beveled

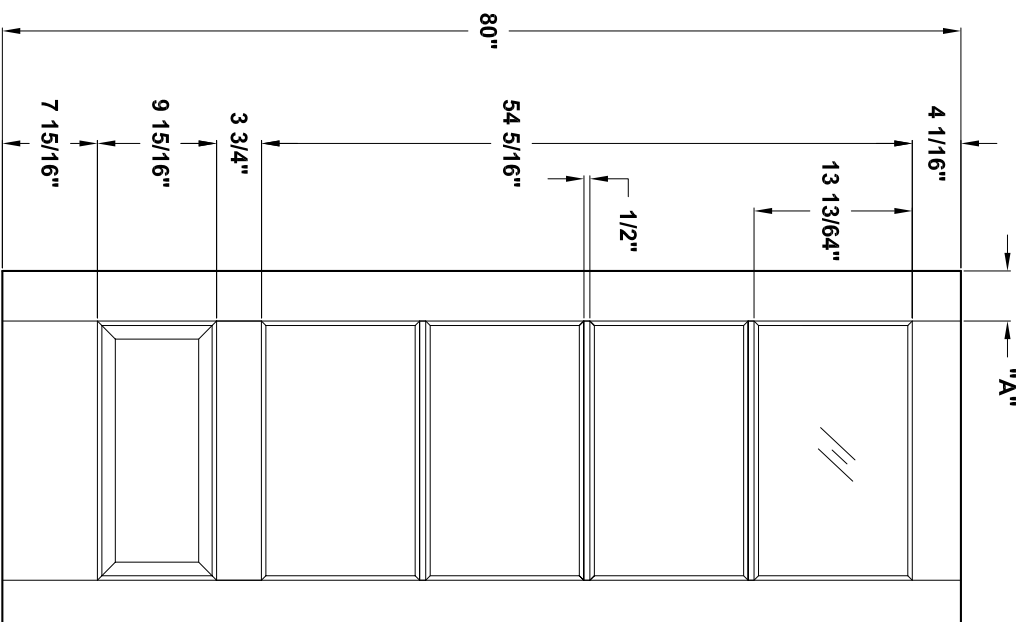
Height **80"**

Creation date 2004-June-03
 Prep. by: J.C.
 Revision date -
 Rev. 0



B80-03

Door width	12" to 14"	16" to 36"
stile width "A"	3"	4-3/16"



Specification sheet

Title French door with wood mullions
4Lite + 1 panel

Height **80"**

Creation date
2004-June-03

Prep. by: J.C.

Revision date

Rev.
0

Scale nts



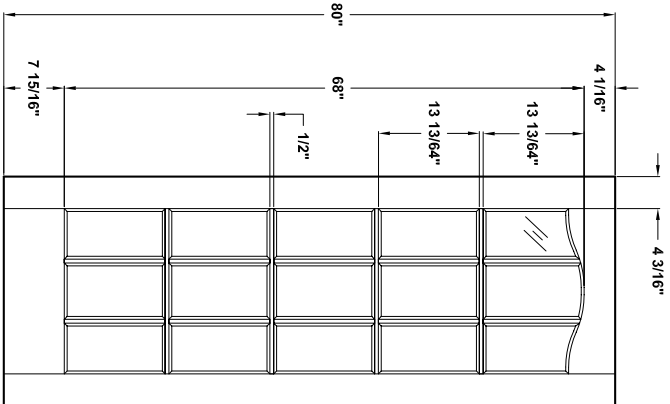
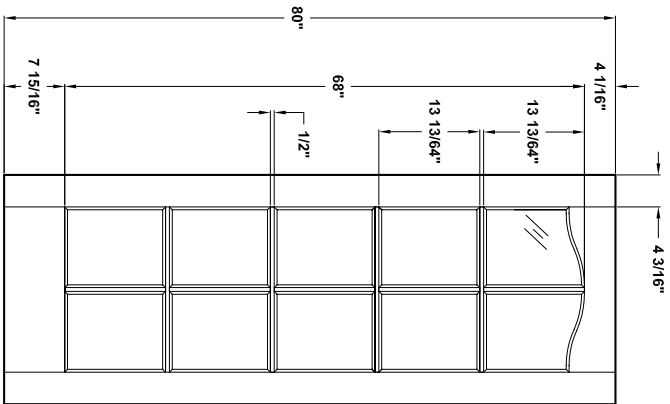
Masonite[®]

Masonite International Corporation

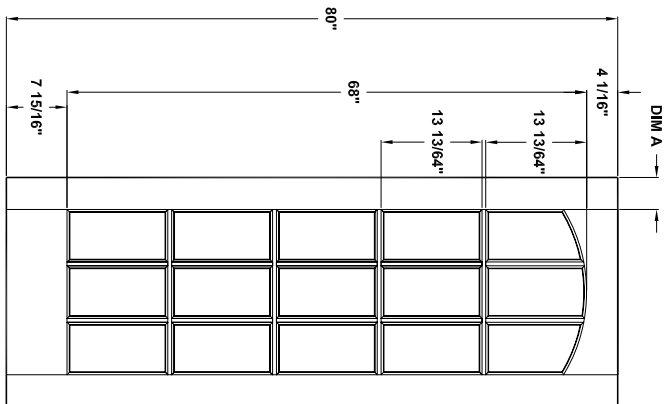
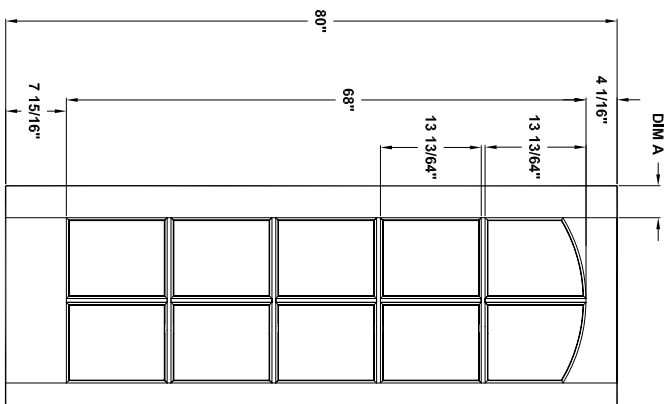
B80-04

Door width	14"	16" to 36"
Stile width "A"	3"	4-3/16"

Eyebrow



Arch



Specification sheet

Title French door with wood mullions
10-15 Lite Eyebrow , 10-15 Lite Arch

Height
80"

Creation date
2004-June-03

Prep. by: J.C.

Revision date
2005-02-22

Rev.
1

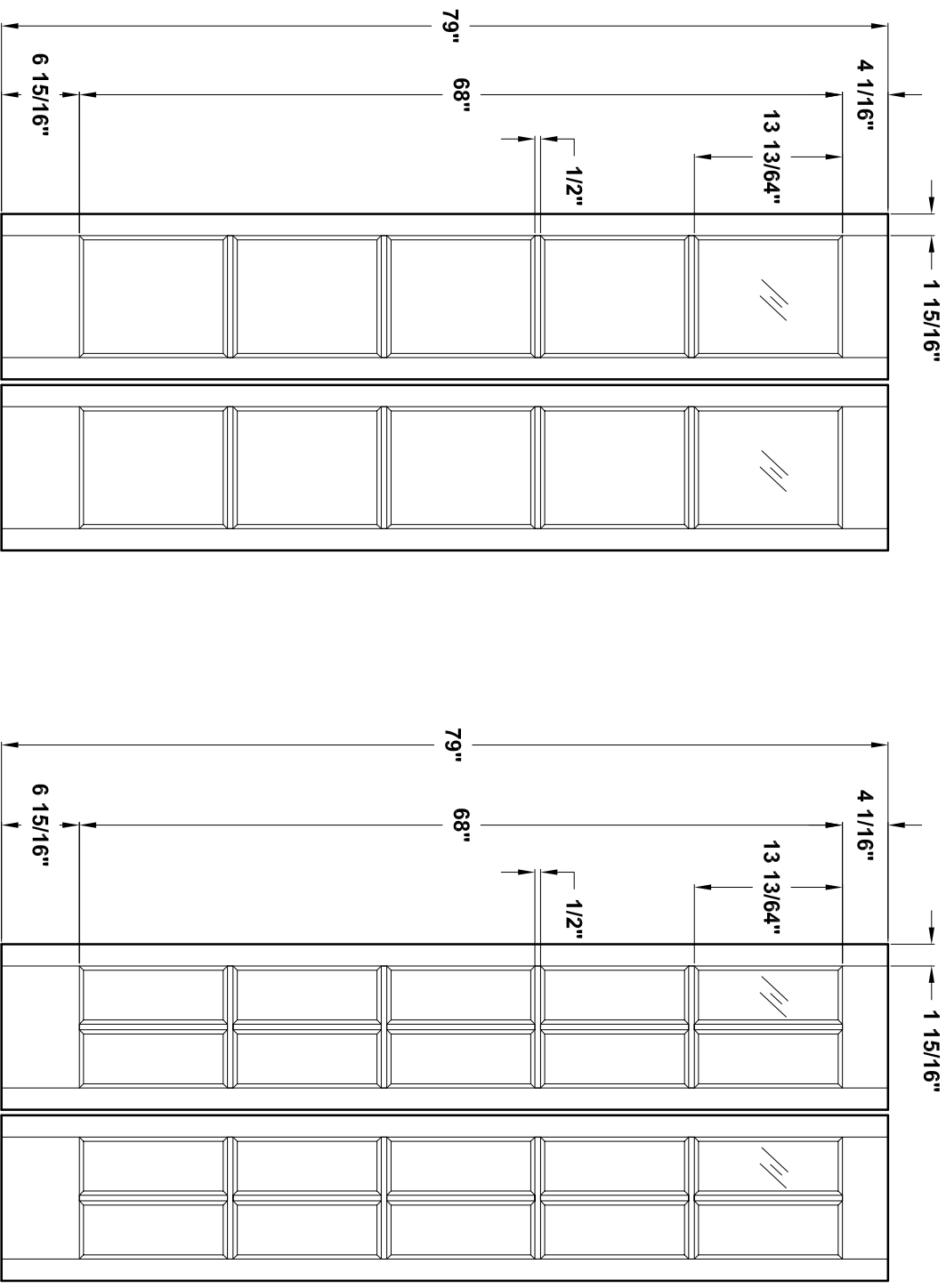
Scale nts



Masonite[®]

Masonite International Corporation

B80-05



+ 1 " for hardware
 Finished opening required: 80 3/4 "

Specification sheet

Title French door with wood mullions
 10 - 20 Lite Bifold

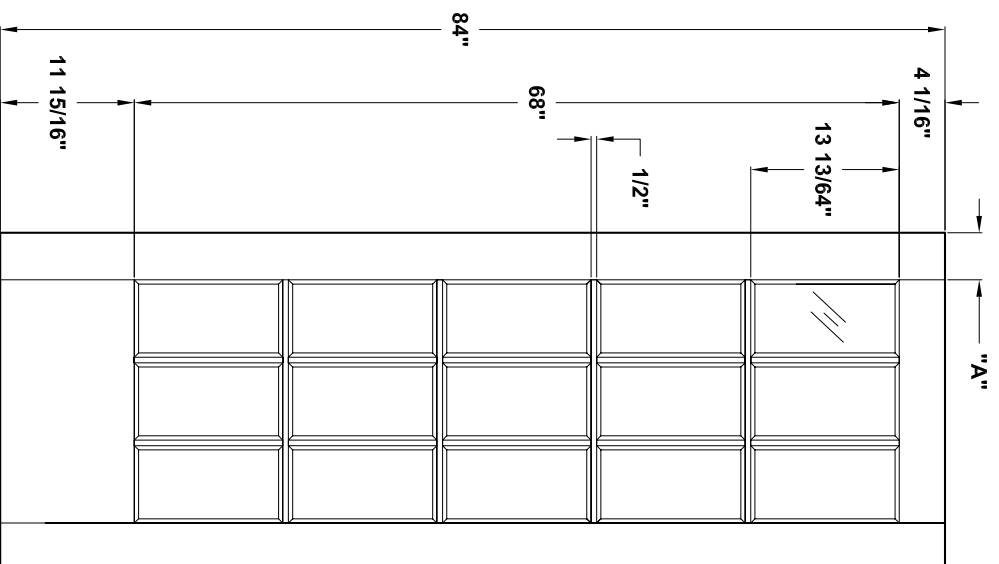
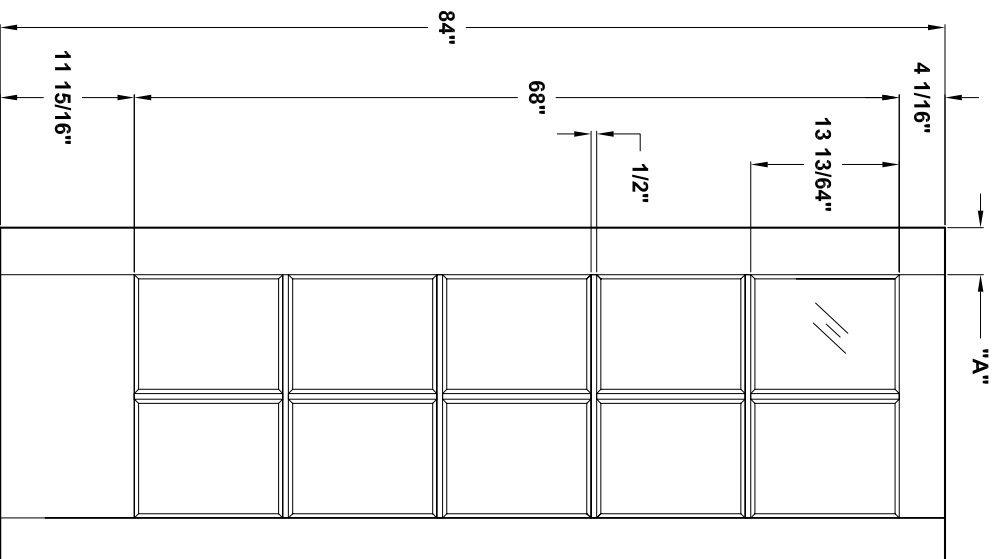
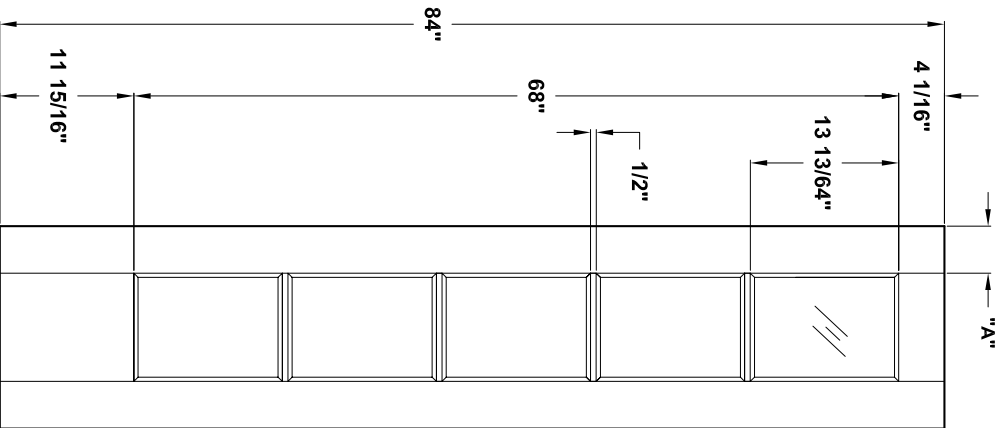
Height **80"**

Creation date 2004 June-03
 Prep. by: J.C.
 Revision date -
 Scale nts
 Rev. 0



B80-06

Door width	12" to 14"	16" to 36"
stile width "A"	3"	4-3/16"



Specification sheet

Title
French door with wood mullions 5-10-15 Lite

Height
84"

Creation date
2004-June-03

Prep. by: J.C.

Revision date

Rev.
0

Scale nts

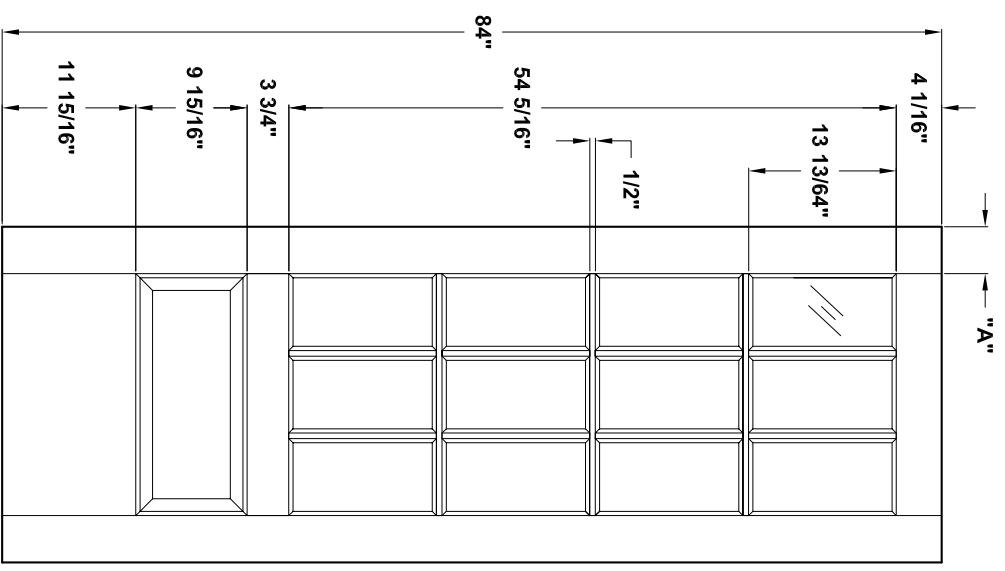
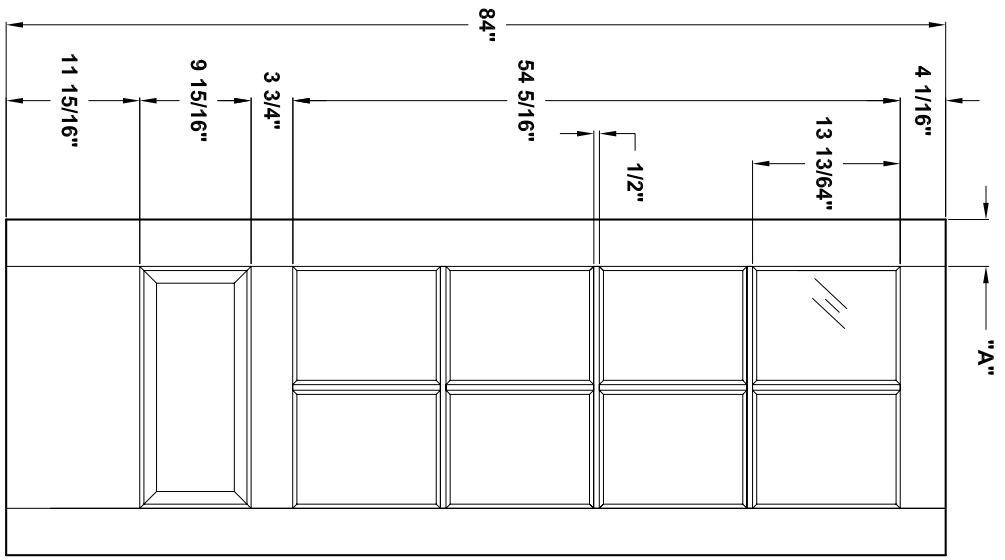
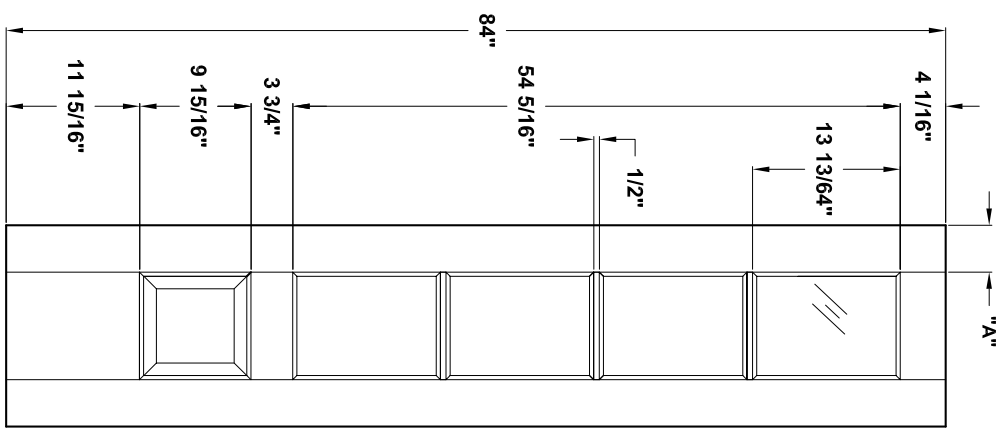


Masonite[®]

Masonite International Corporation

B84-01

Door width	12" to 14"	16" to 36"
Stile width "A"	3"	4-3/16"



Specification sheet

Title French door with wood mullions
4-8-12 Lite + 1 panel

Height 84"

Creation date 2004-June-03

Prep. by: J.C.

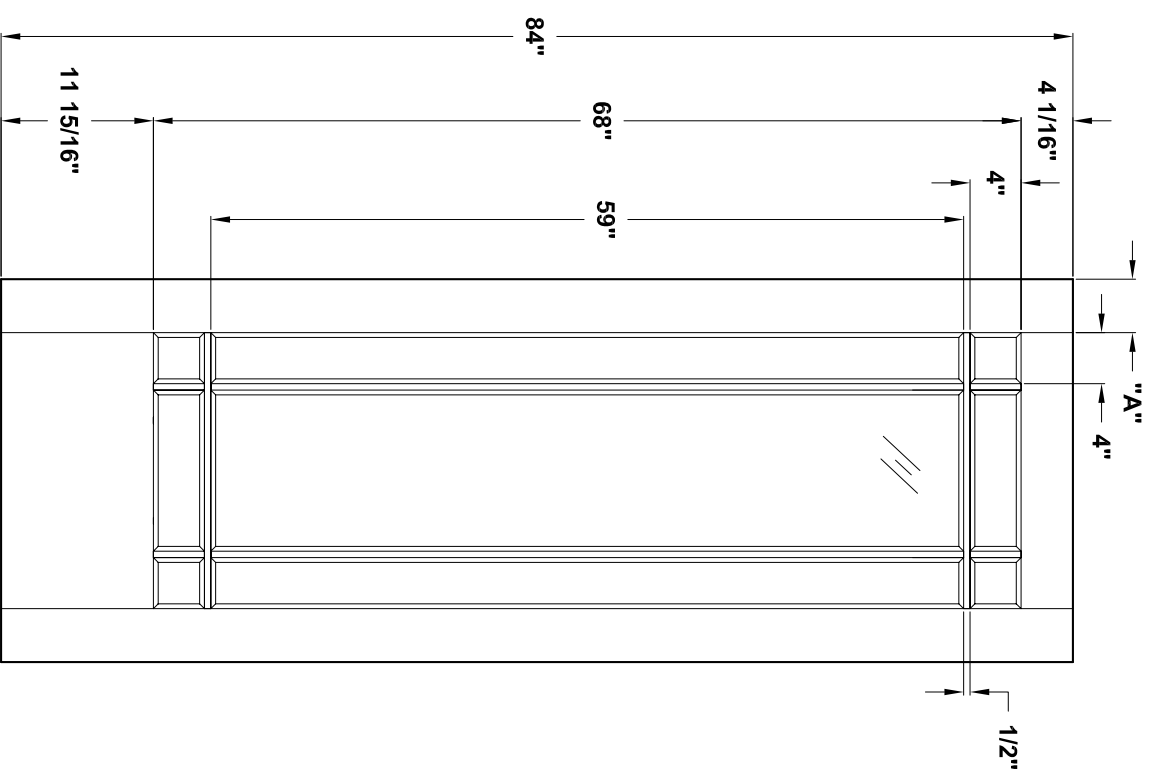
Revision date - Rev. 0

Scale nts



B84-02

Door width	24" to 36"
stile width "A"	4-3/16"



Specification sheet

Title French door with wood mullions
 9Lite + center glass flat or beveled

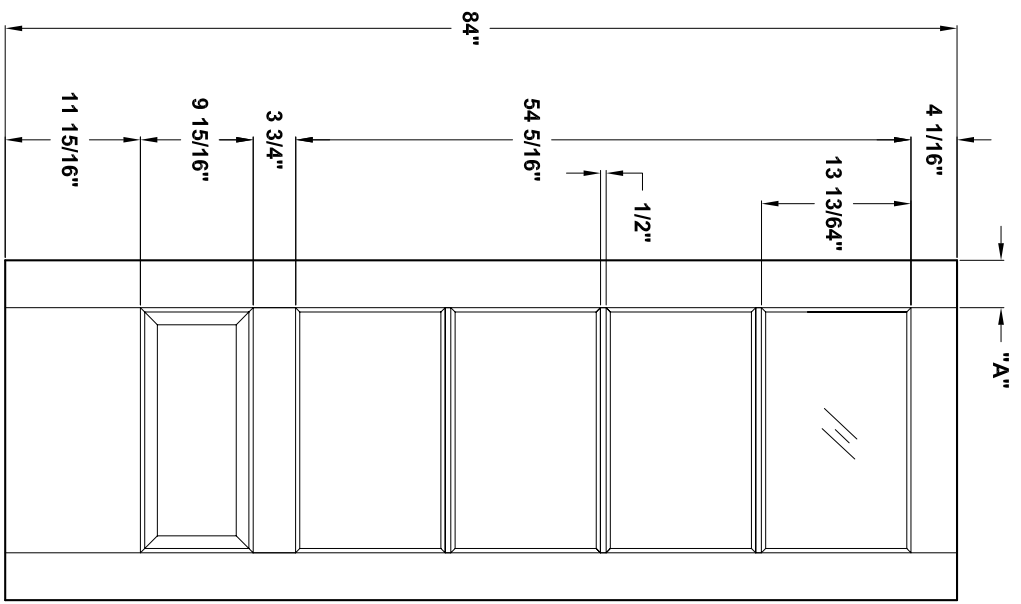
Height 84"

Creation date 2004-June-03
 Prep. by: J.C.
 Revision date -
 Rev. 0
 Scale nts

Masonite[®]
 Masonite International Corporation

B84-03

Door width	12" to 14"	16" to 36"
stile width "A"	3"	4-3/16"



Specification sheet

Title French door with wood mullions
4Lite + 1 panel

Height
84"

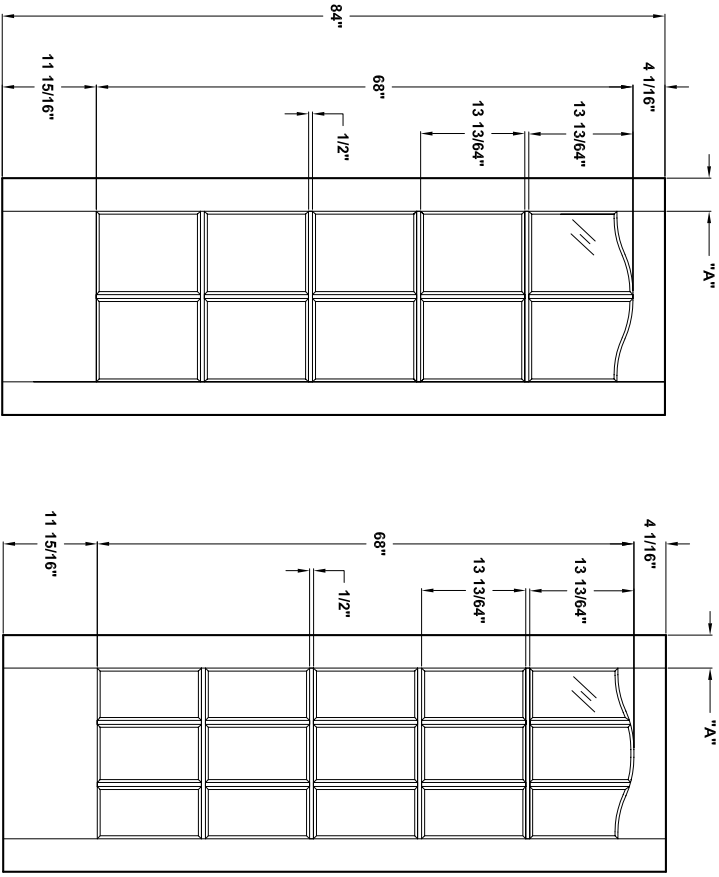
Creation date	2004-June-03	
Prep. by:	J.-P. G.	
Revision date	-	Rev. 0
Scale	nts	



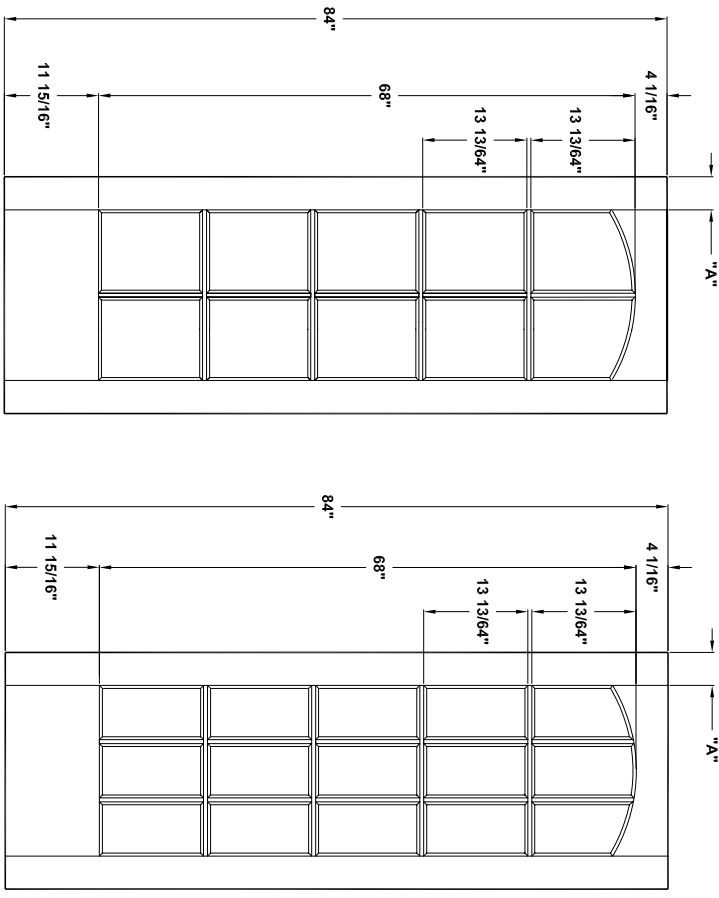
B84-04

Door width	14"	16" to 36"
stile width "A"	3"	4-3/16"

Eyebrow



Arch



Specification sheet

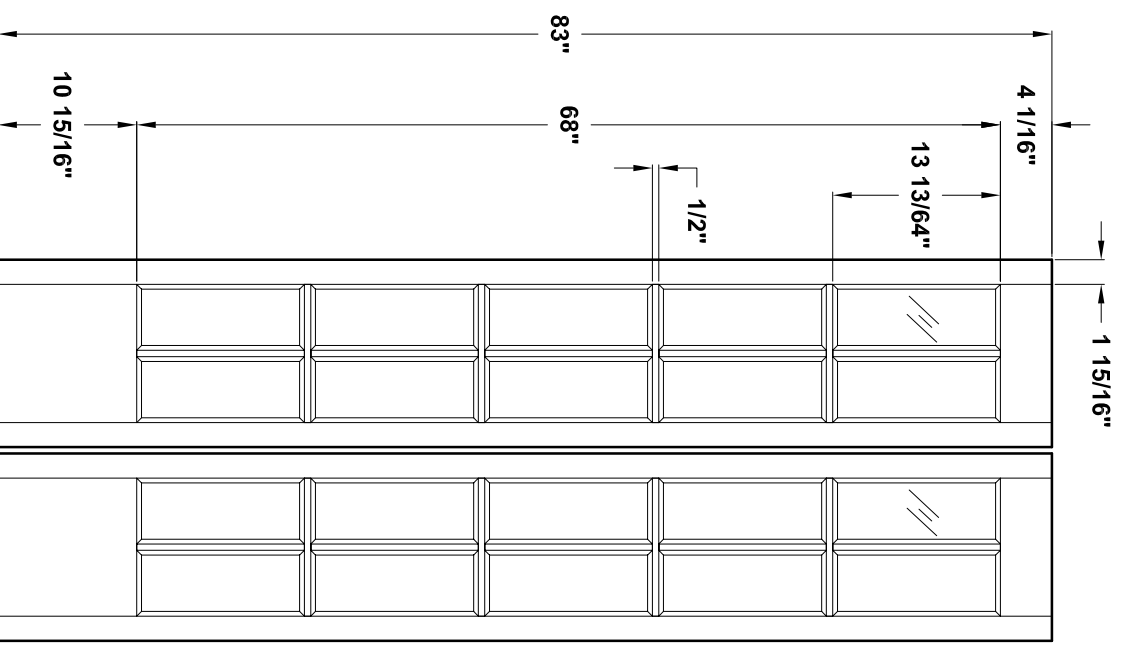
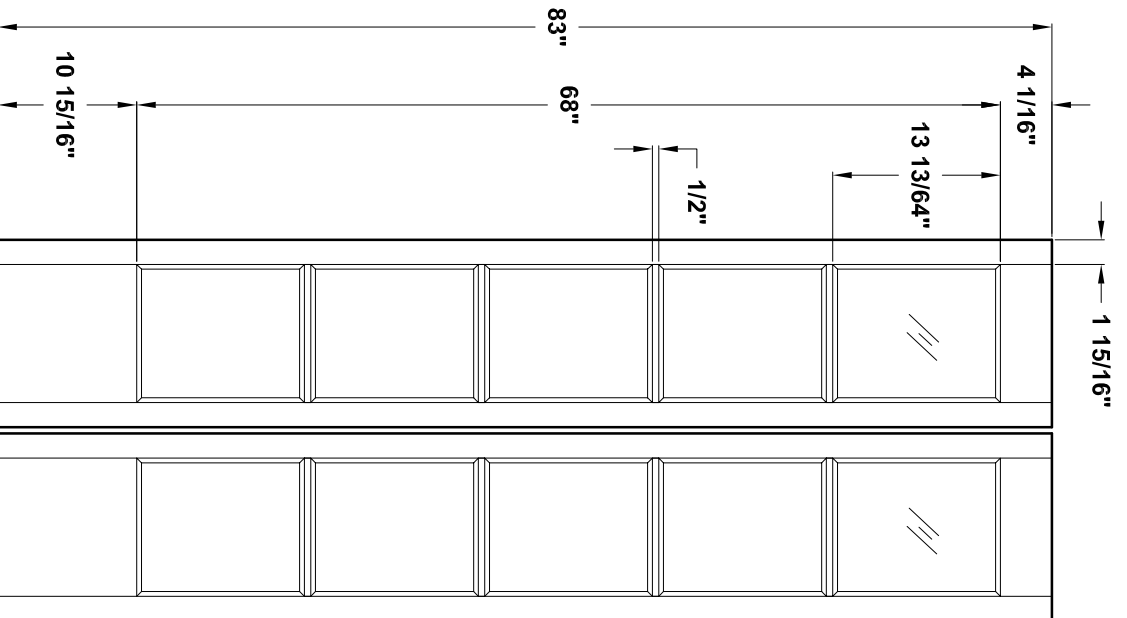
Title French door with wood mullions
10-15 Lite Eyebrow, 10-15 lite Arch

Height **84"**

Creation date	2004-June-03
Prep. by:	J.C.
Revision date	2005-02-22
Scale	nts
Rev.	1



B84-05



+ 1 " for hardware
 Finished opening required: 84 3/4 "

Specification sheet

Title French door with wood mullions
 10 -20 Lite Bifold

Height
84"

Creation date
 2004-June-03

Prep. by: J.C.

Revision date

Rev.
 0

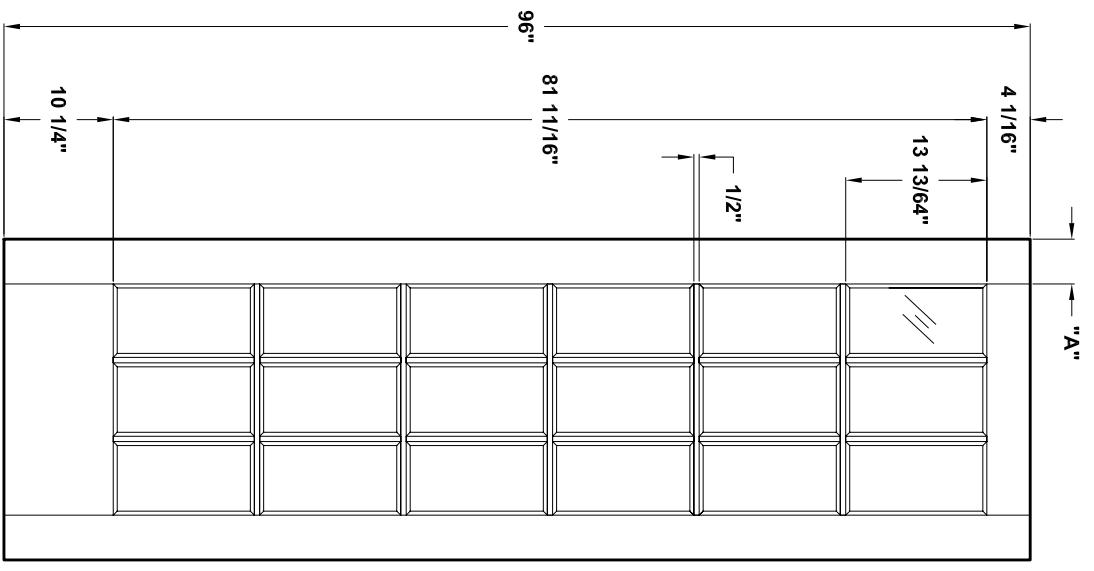
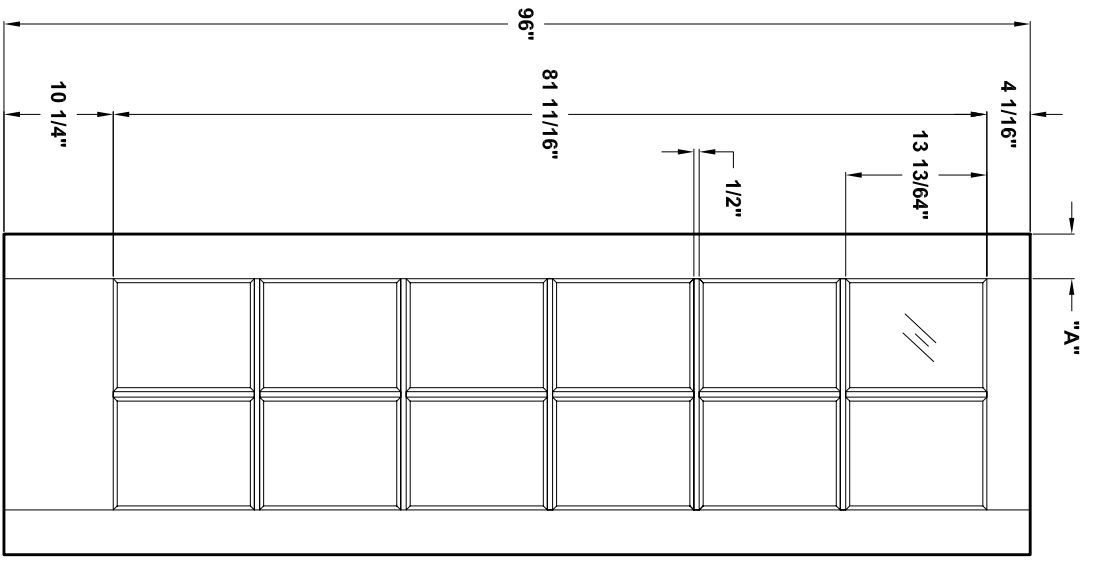
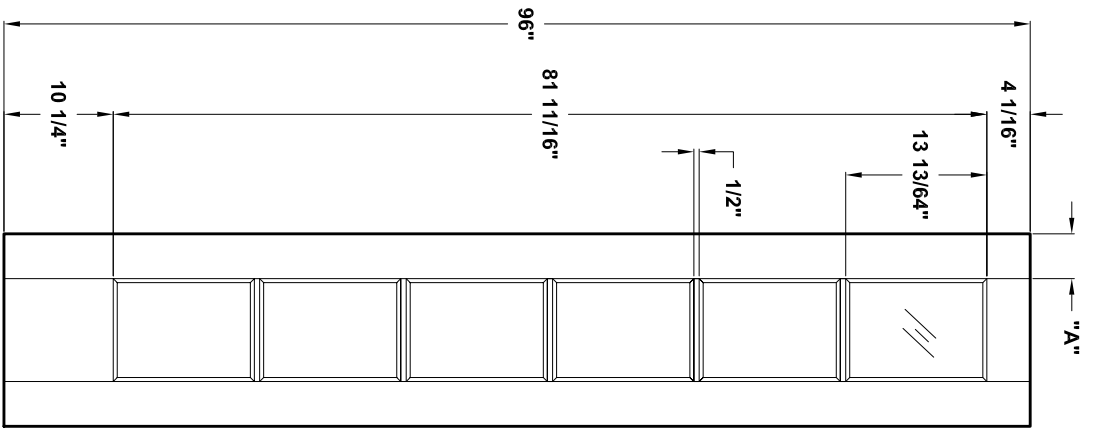
Scale nts



Masonite International Corporation

B84-06

Door width	12" to 14"	16" to 36"
stile width "A"	3"	4-3/16"



Specification sheet

Title French door with wood mullions
6-12-18 Lite

Height
96"

Creation date
2004-June-03

Prep. by: J.C.

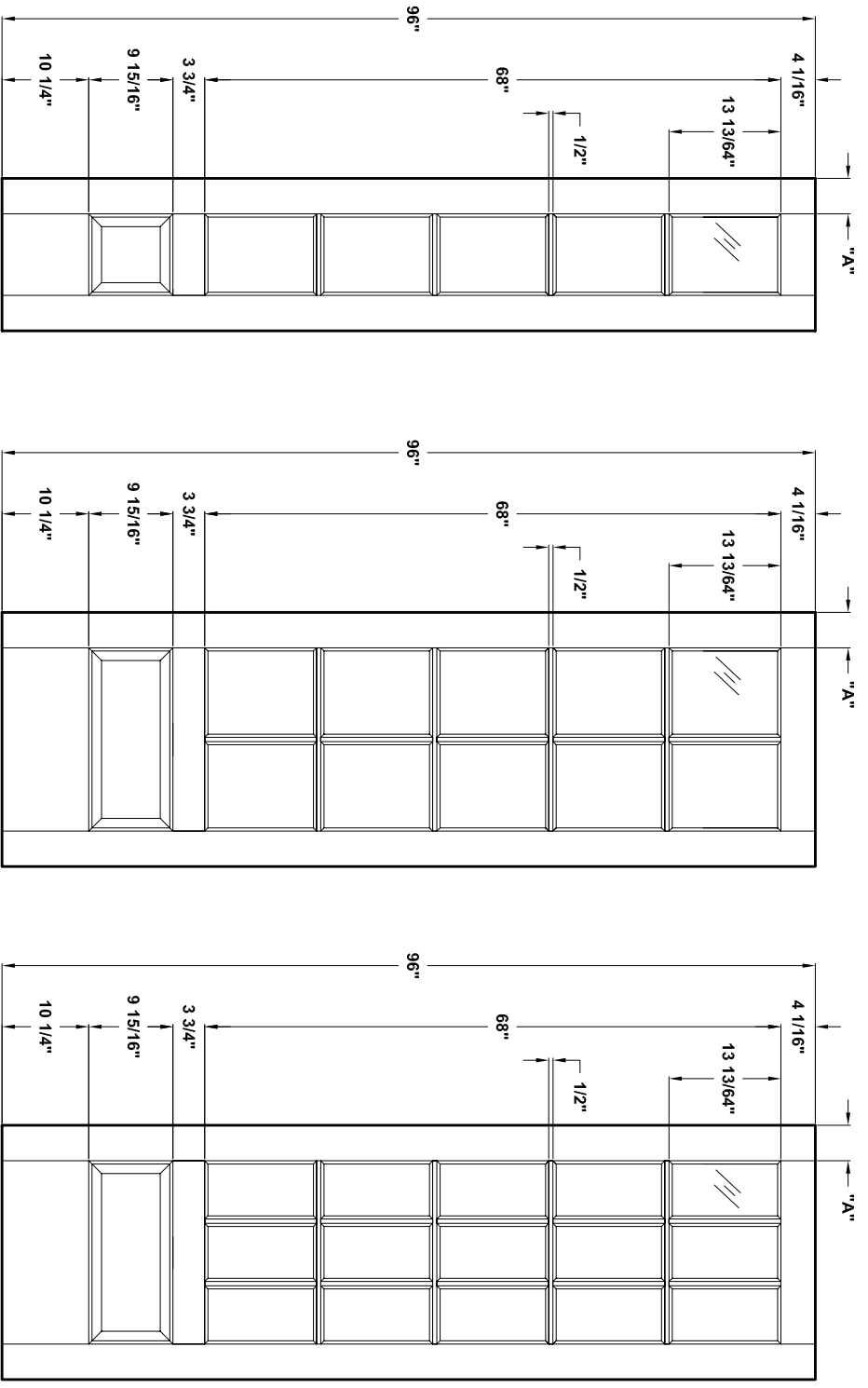
Revision date
-
Rev. 0

Scale nts



B96-01

Door width	12" to 14"	16" to 36"
Stile width "A"	3"	4-3/16"



Specification sheet

Title French door with wood mullions
5-10-15 Lite + 1 panel

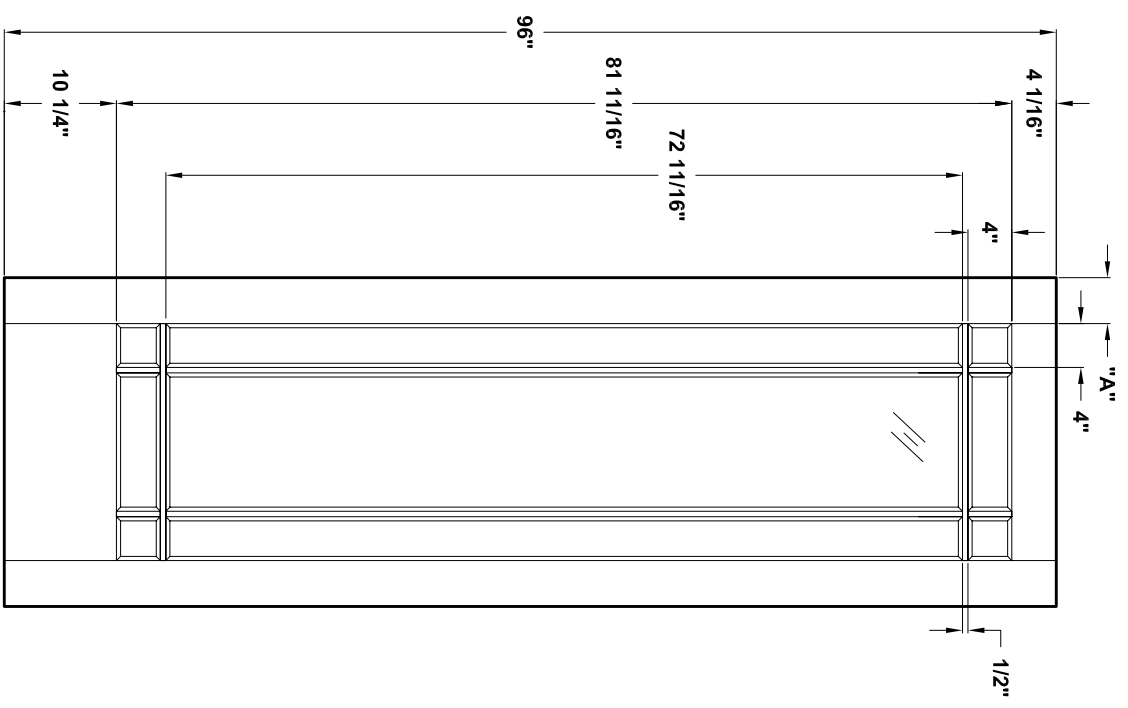
Height **96"**

Creation date	2004-June-03	
Prep. by:	J.C.	
Revision date	-	Rev. 0
Scale	nts	



B96-02

Door width	24" to 36"
stile width "A"	4-3/16"

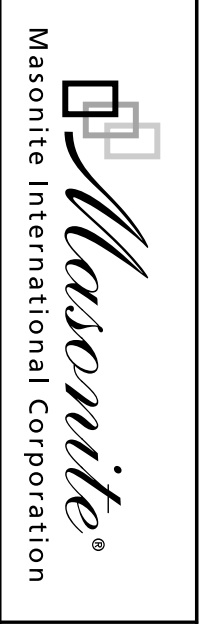


Specification sheet

Title French door with wood mullions
 9Lite + center glass flat or beveled

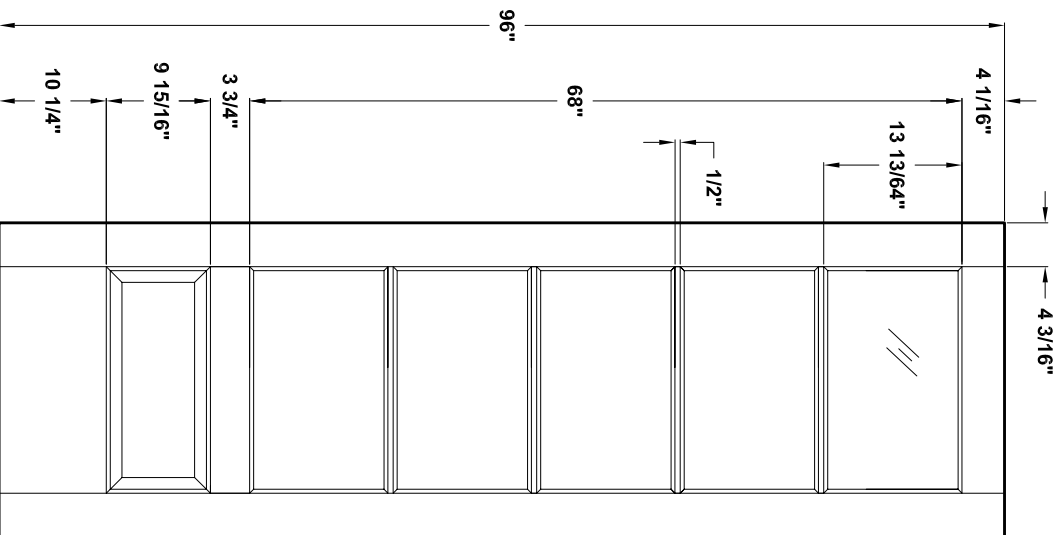
Height **96"**

Creation date	2004-June-03	
Prep. by:	J.C.	
Revision date	-	Rev. 0
Scale	nts	



B96-03

Door width	12" to 14"	16" to 36"
stile width "A"	3"	4-3/16"



Specification sheet

Title French door with wood mullions
5Lite + 1 panel

Height
96"

Creation date
2004-June-03

Prep. by: J.C.

Revision date

Rev.
0

Scale nts



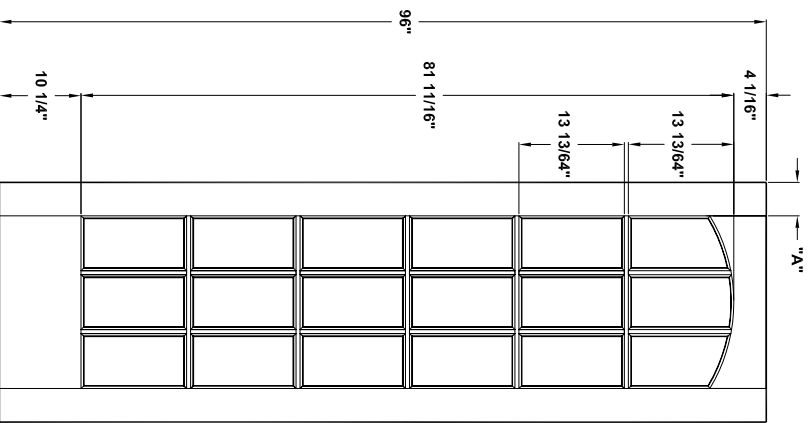
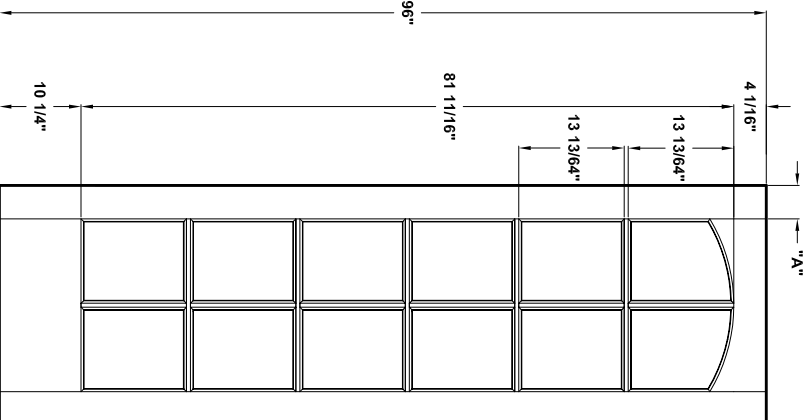
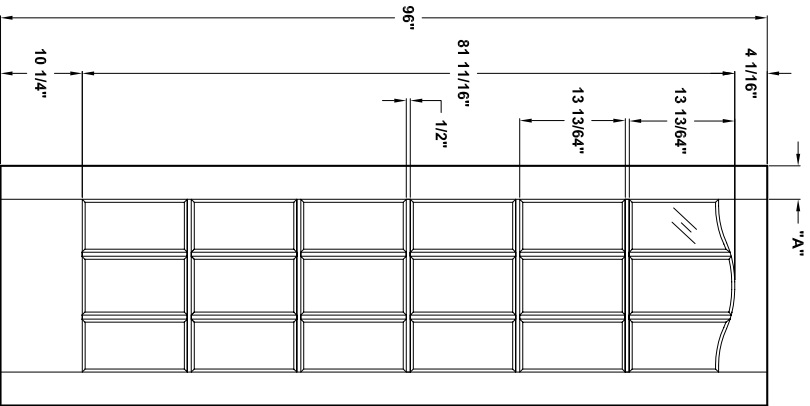
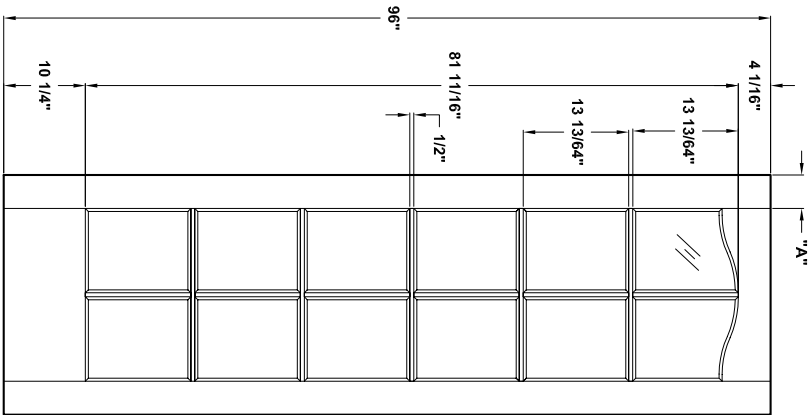
Masonite[®]

Masonite International Corporation

B96-04

Door width	14"	16" to 36"
Stile width "A"	3"	4-3/16"

Eyebrow



Arch

Specification sheet

Title French door with wood mullions
12-18 Lite Eyebrow , 12-18 Lite Arch

Height
96"

Creation date
2004-June-03

Prep. by: J.C.

Revision date
2005-02-22

Rev.
1

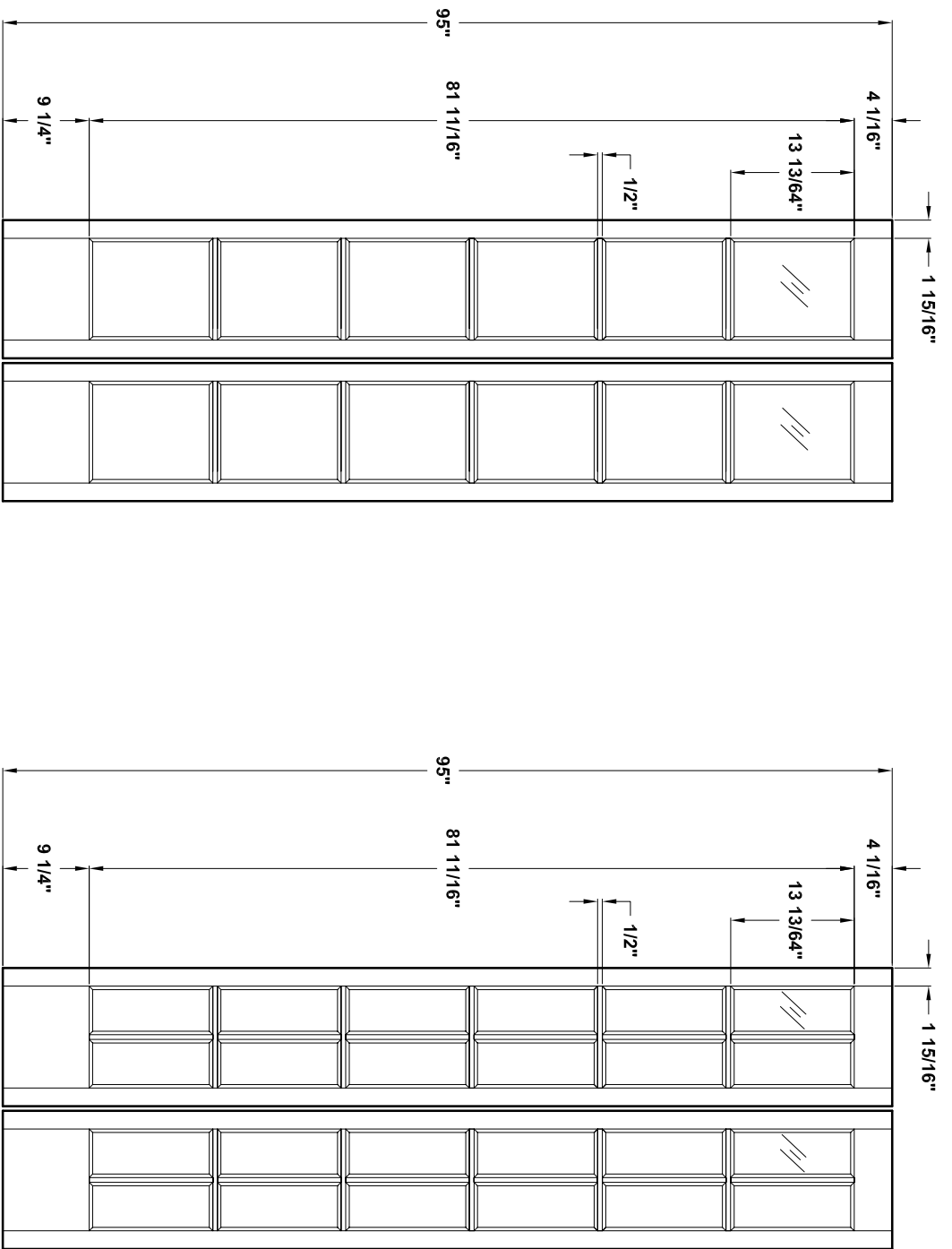
Scale nts



Masonite[®]

Masonite International Corporation

B96-05



+ 1 " for hardware
 Finished opening required: 96 3/4 "

Specification sheet

Title French door with wood mullions
 12-24 Lite Bifold

Height
96"

Creation date 2004-June-03	
Prep. by: J.C.	Rev. 0
Revision date -	Scale nts



B96-06