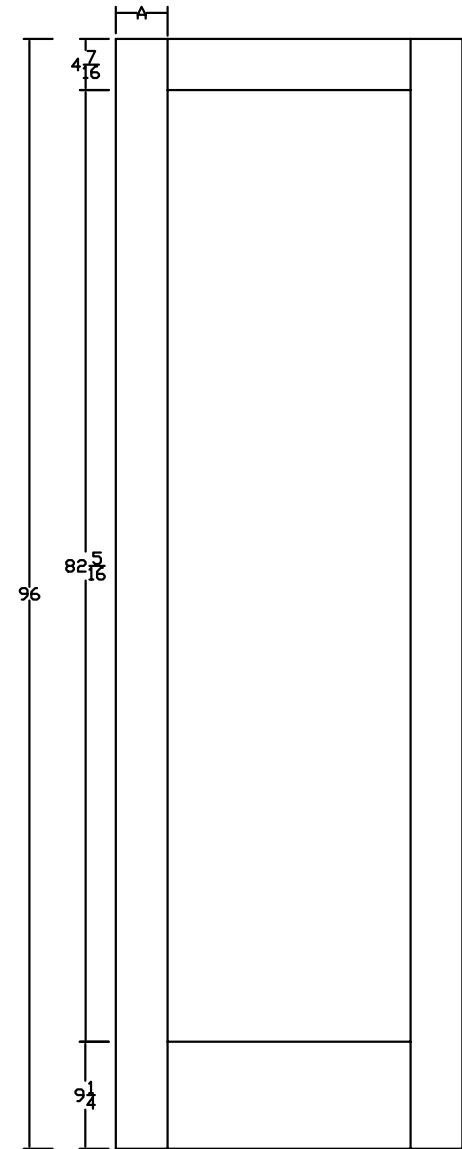
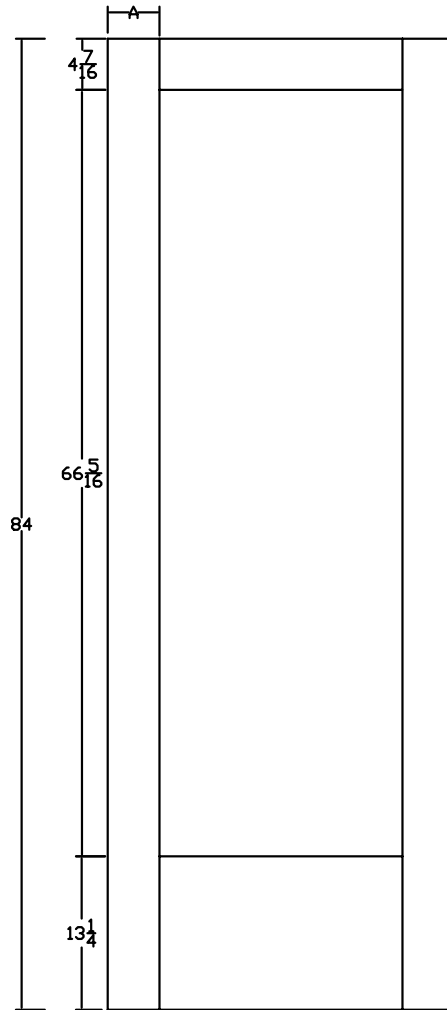
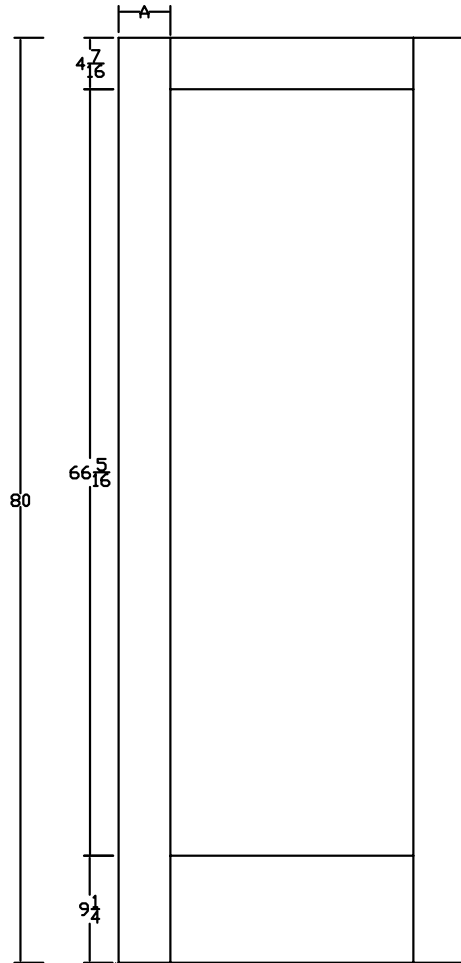


<i>Door width</i>	12to14	15to36
<i>stile width "A"</i>	1-7/8"	4-1/2"



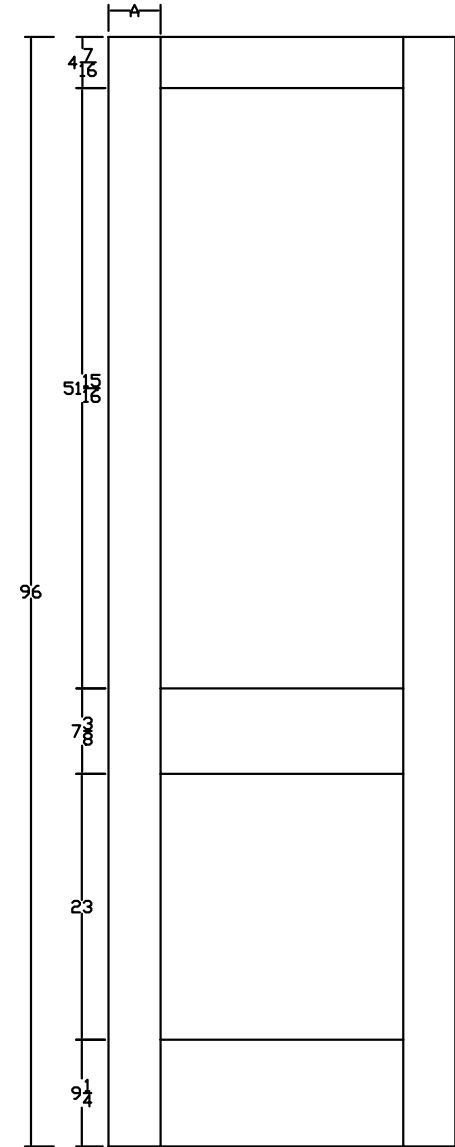
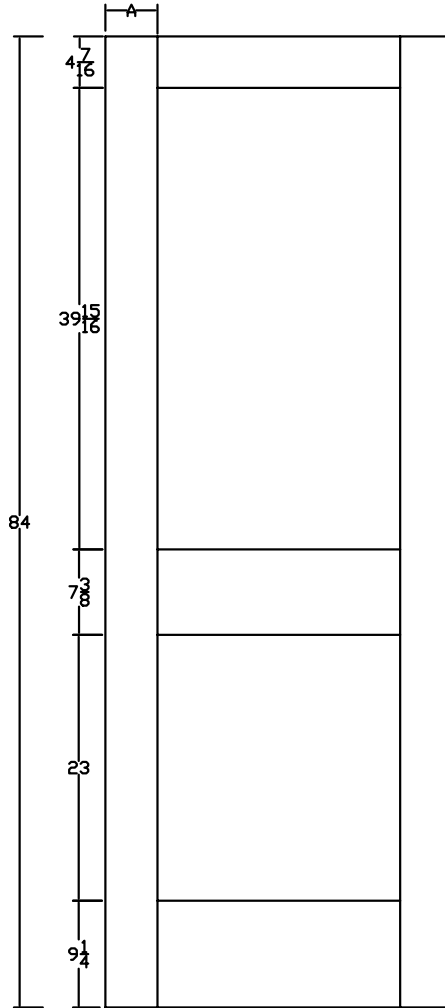
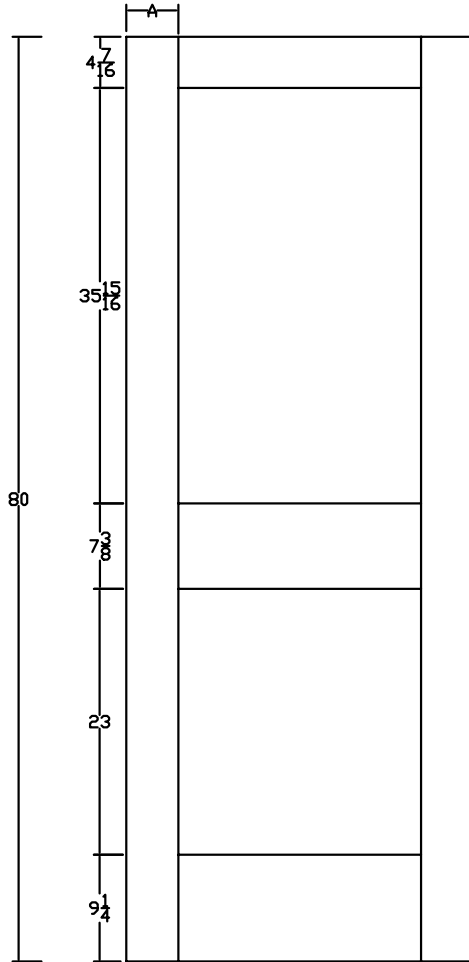
## Specification sheet

**Title**  
CII FLAT PANEL SQUARE STICKING

<i>Creation date</i> 2016-08-09 15:41:00	
<i>Prep. by:</i> M.C.	
<i>Revision date</i>	<i>Rev.</i> 1
<i>Scale</i> nts	

 **MASONITE**  
Open to extraordinary.

<i>Door width</i>	12to14	15to36
<i>stile width "A"</i>	1-7/8"	4-1/2"



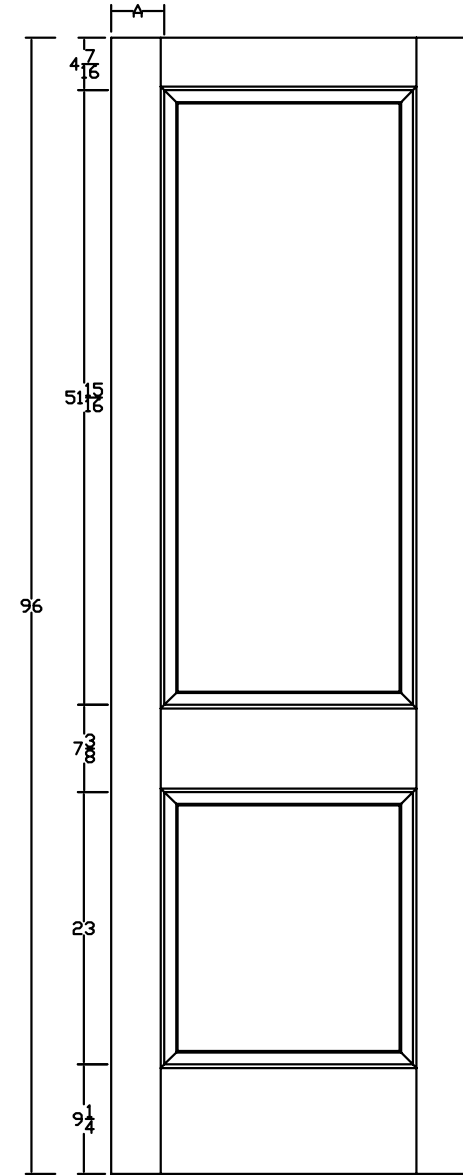
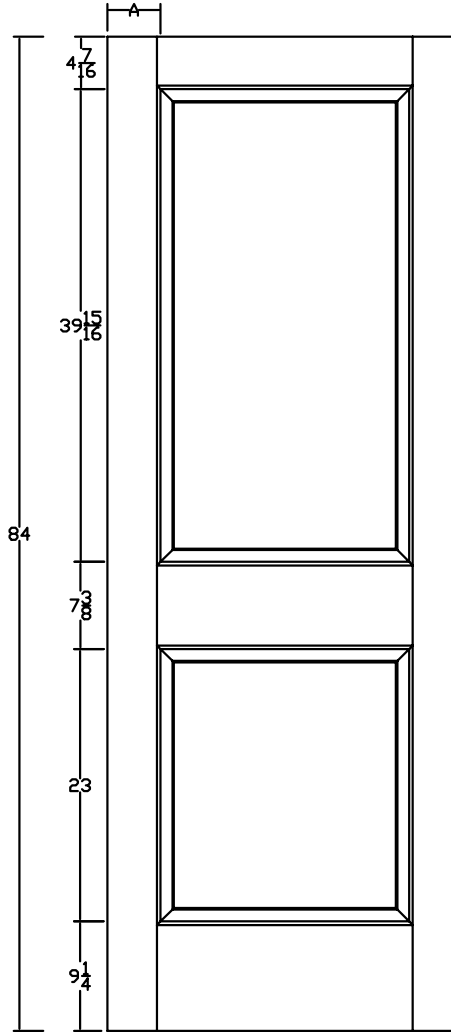
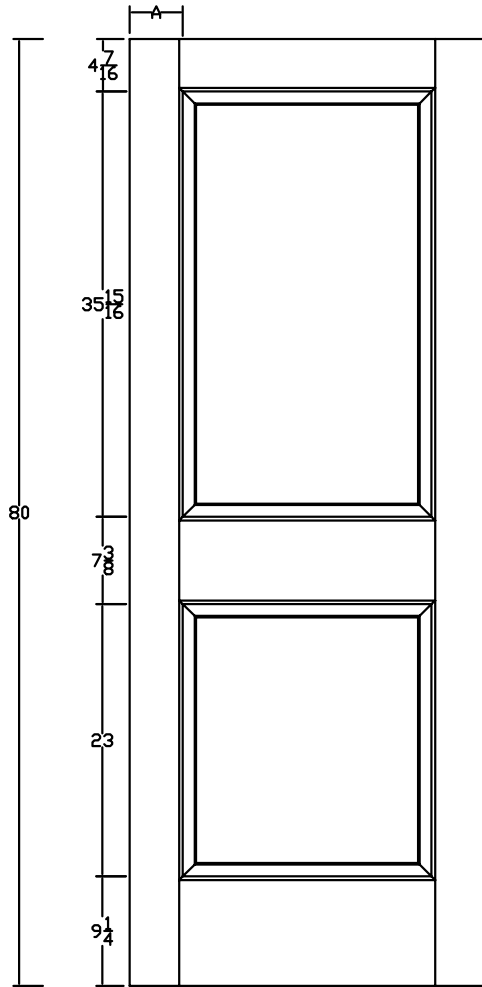
## Specification sheet

**Title** C22 FLAT PANEL SQUARE STICKING

<i>Creation date</i>	
2016-08-10 08:01:07	
<i>Prep. by:</i> M.C.	
<i>Revision date</i>	<i>Rev.</i>
	1
<i>Scale</i> nts	



Door width	12to14	15to36
stile width "A"	1-7/8"	4-1/2"



## Specification sheet

Title C22 OVOLO STICKING DH PANEL

Creation date  
2016-08-09 13:55:23

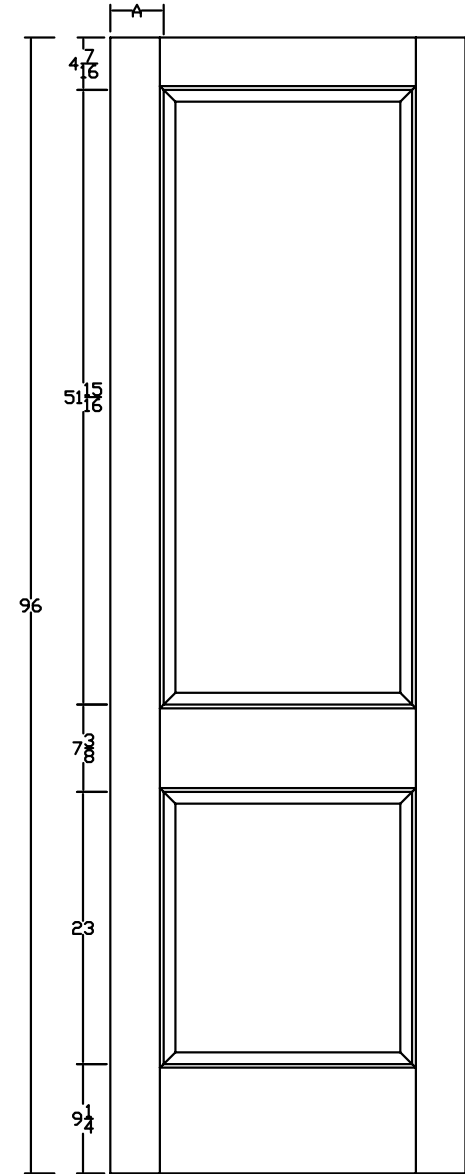
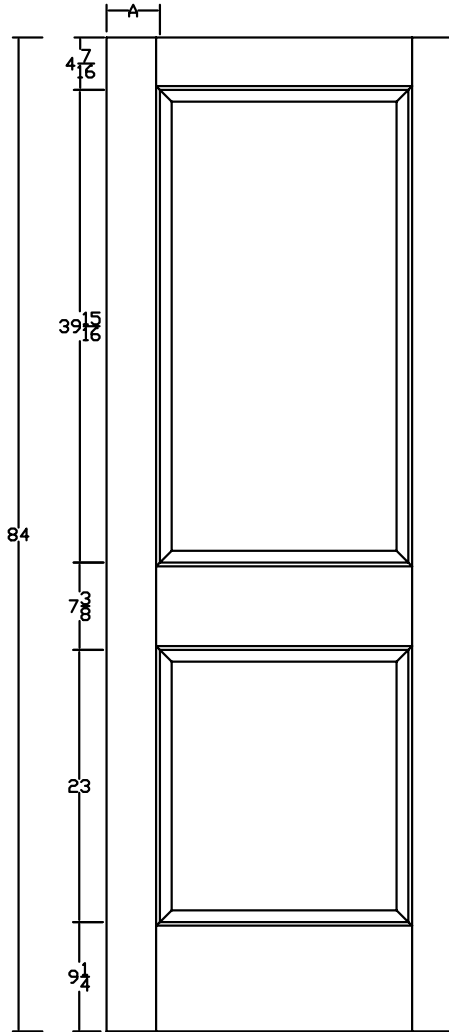
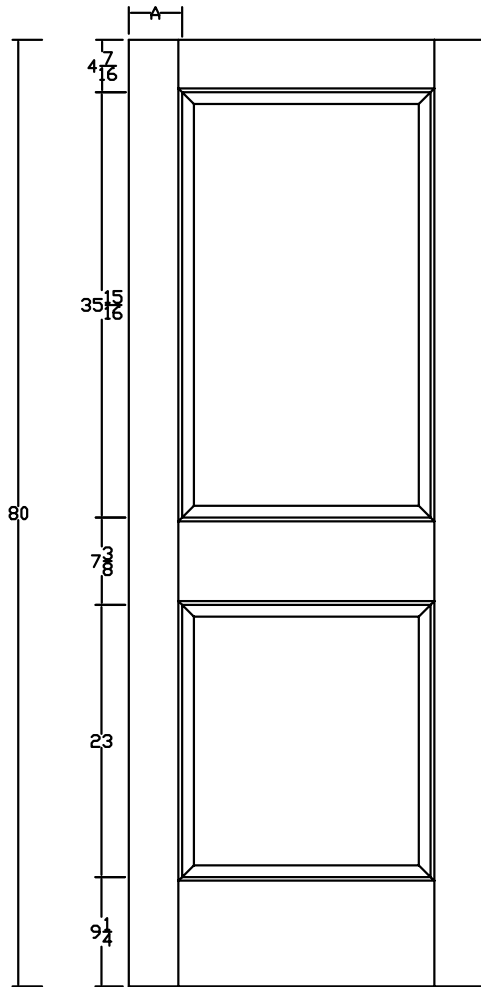
Prep. by: M.C.

Revision date	Rev.
	1

Scale nts

 **MASONITE**  
Open to extraordinary.

Door width	12to14	15to36
stile width "A"	1-7/8"	4-1/2"



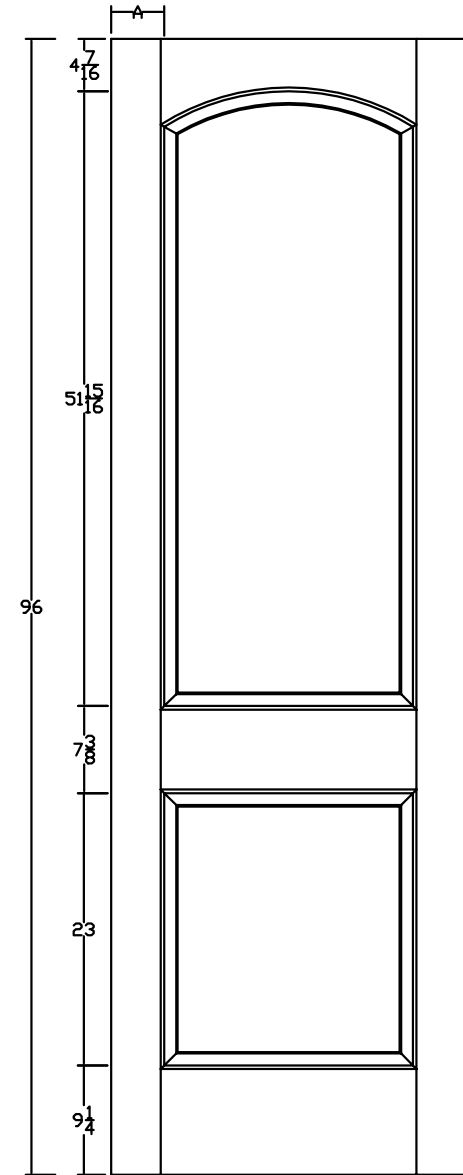
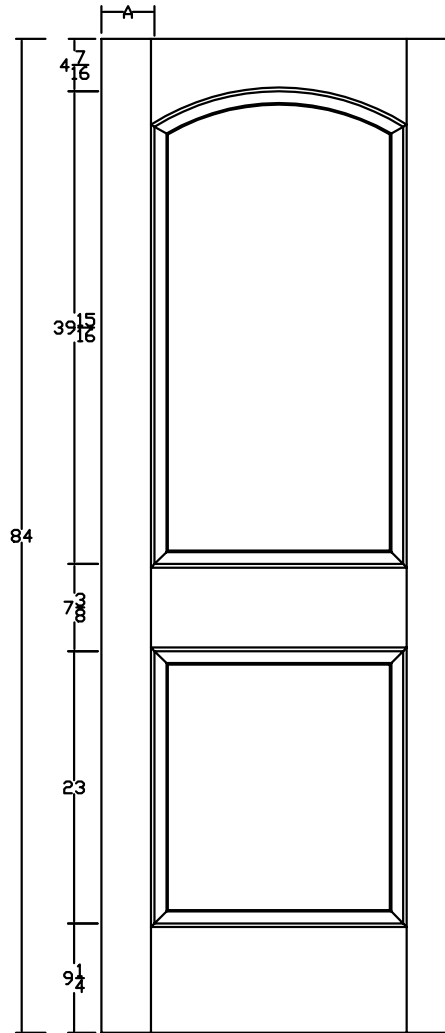
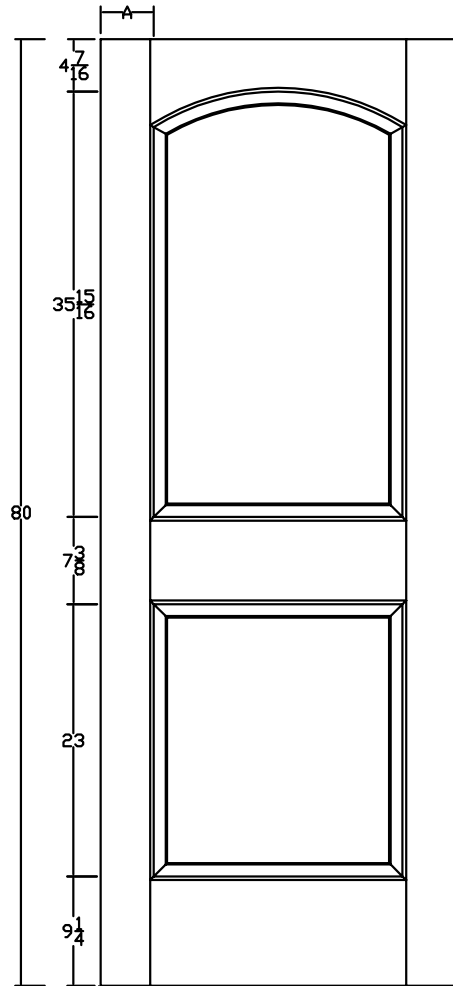
## Specification sheet

Title C22 OVOLO STICKING SH PANEL

Creation date	
2016-08-09 13:55:23	
Prep. by: M.C.	
Revision date	Rev.
	1
Scale nts	

 **MASONITE**  
Open to extraordinary.

<i>Door width</i>	12to14	15to36
<i>stile width "A"</i>	1-7/8"	4-1/2"



## Specification sheet

**Title** C22 ARCH OVOLO STICKING DH PANEL

*Creation date*  
2016-08-09 13:55:23

*Prep. by:* M.C.

<i>Revision date</i>	<i>Rev.</i>
	1

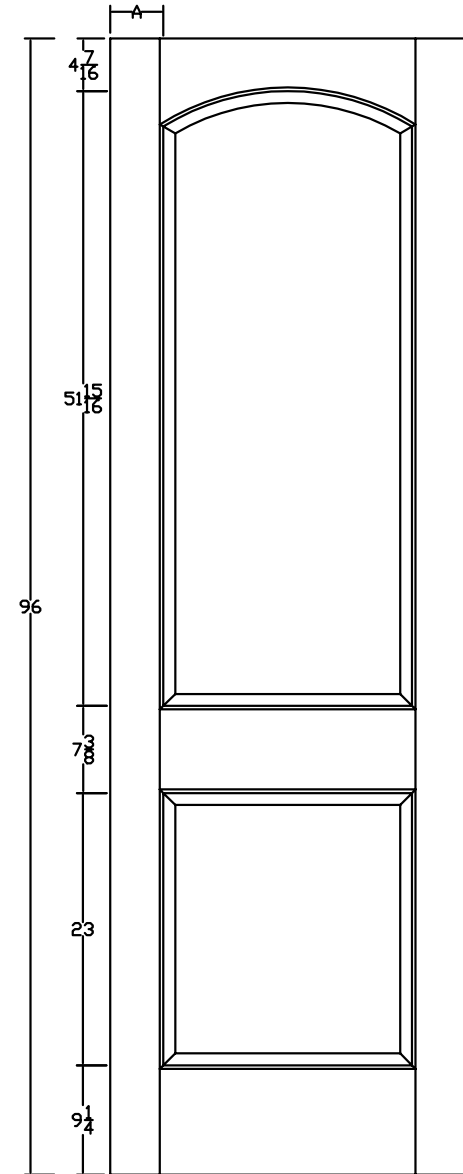
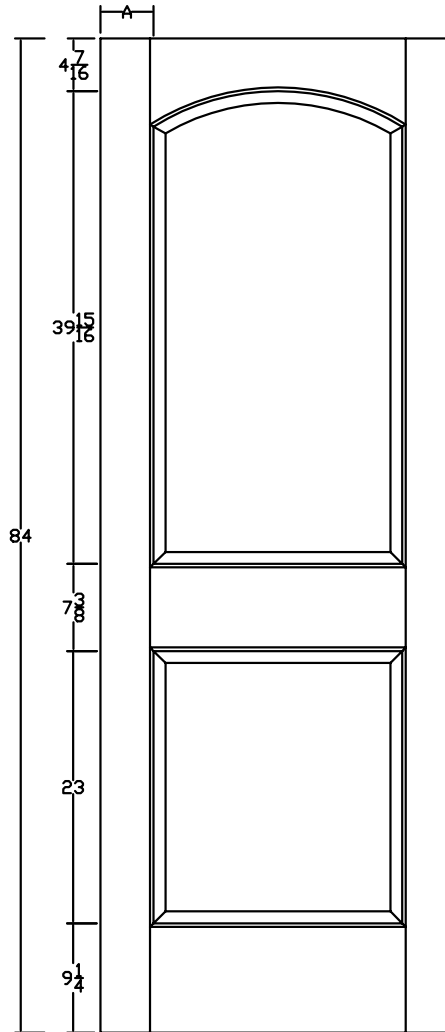
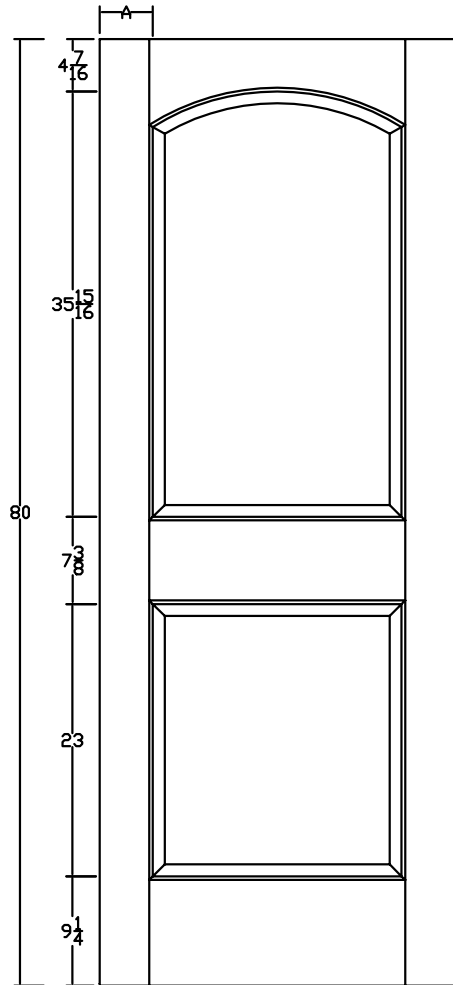
*Scale* nts



**MASONITE®**

Open to extraordinary.

<i>Door width</i>	12to14	15to36
<i>stile width "A"</i>	1-7/8"	4-1/2"



## Specification sheet

**Title** C22 ARCH OVOLO STICKING SH PANEL

*Creation date*  
2016-08-09 13:55:23

*Prep. by:* M.C.

<i>Revision date</i>	<i>Rev.</i>
	1

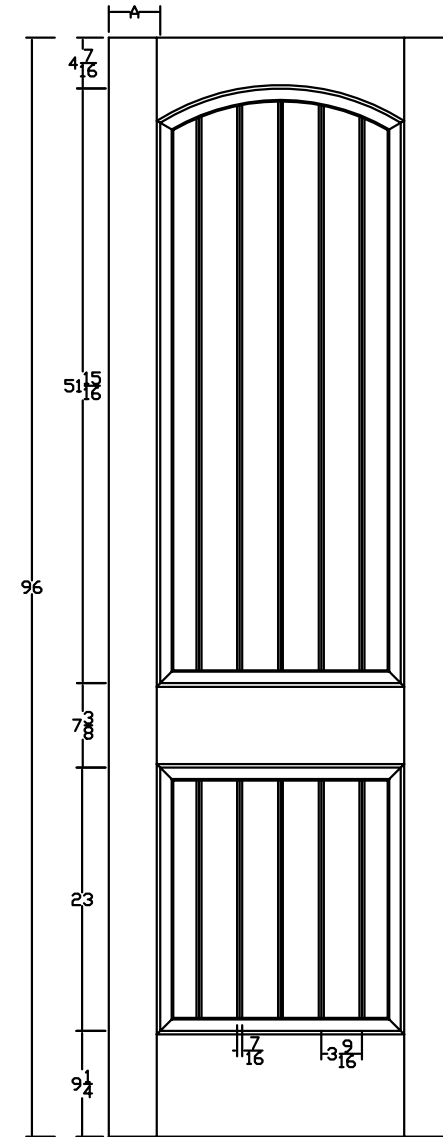
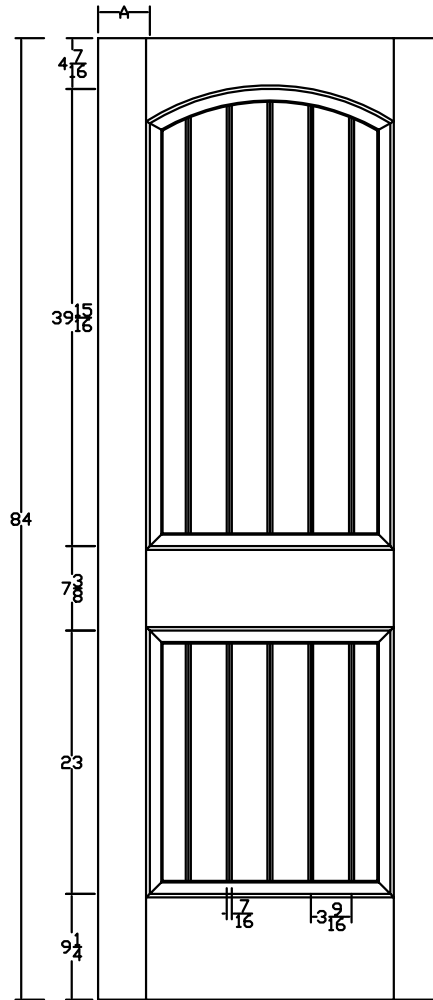
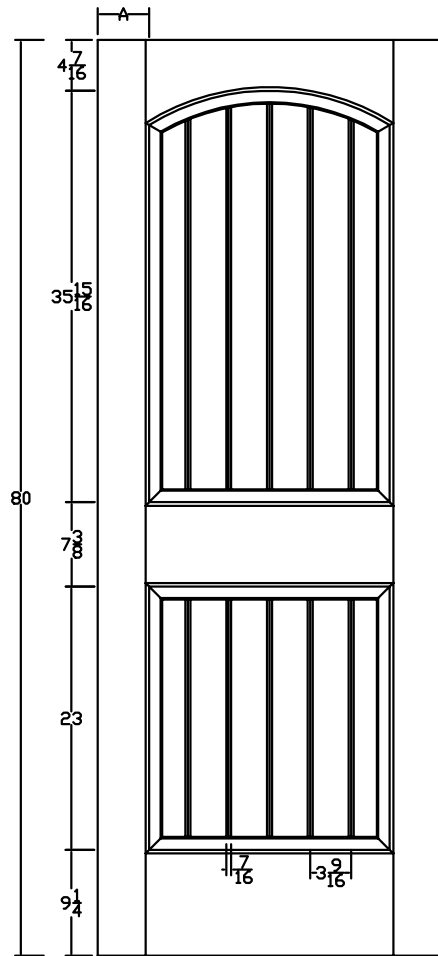
*Scale* nts



**MASONITE**

Open to extraordinary.

<i>Door width</i>	12to14	15to36
<i>stile width "A"</i>	1-7/8"	4-1/2"



## Specification sheet

**Title** C22 ARCH OVOLO STICKING DH  
WIDE V-GROOVE

Creation date  
2016-08-10 09:35:04

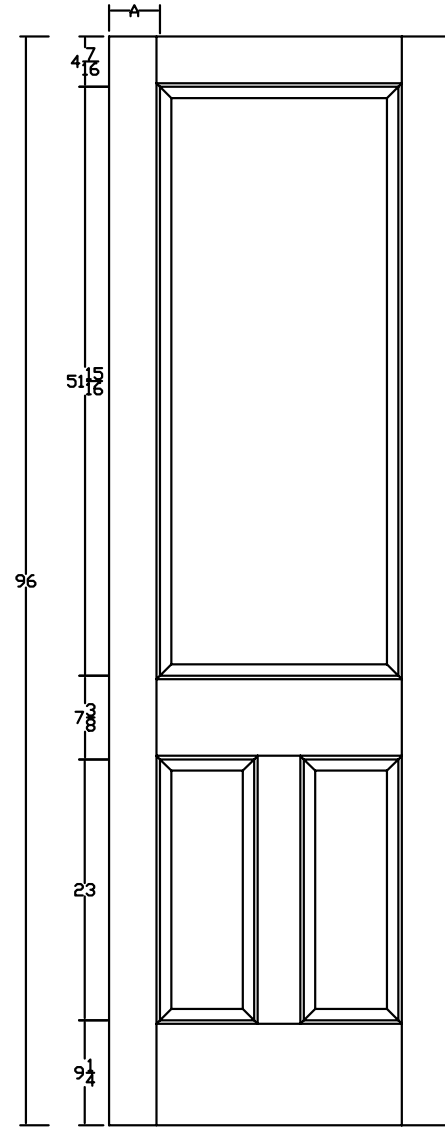
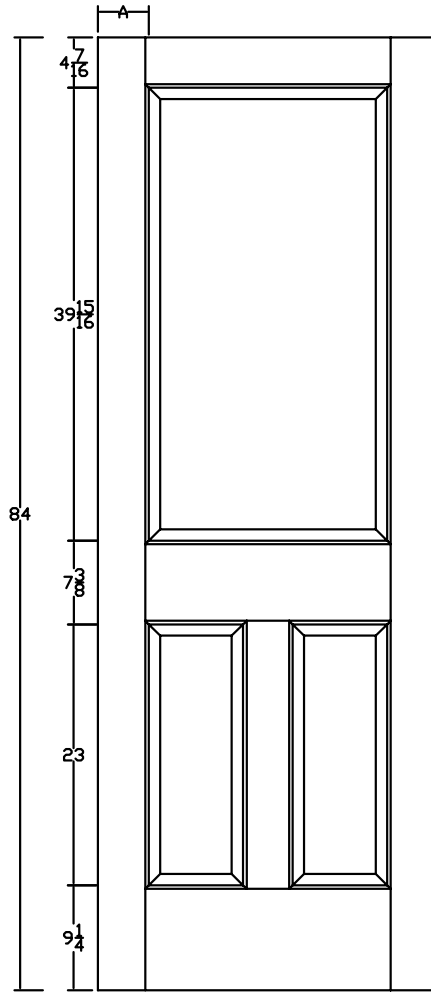
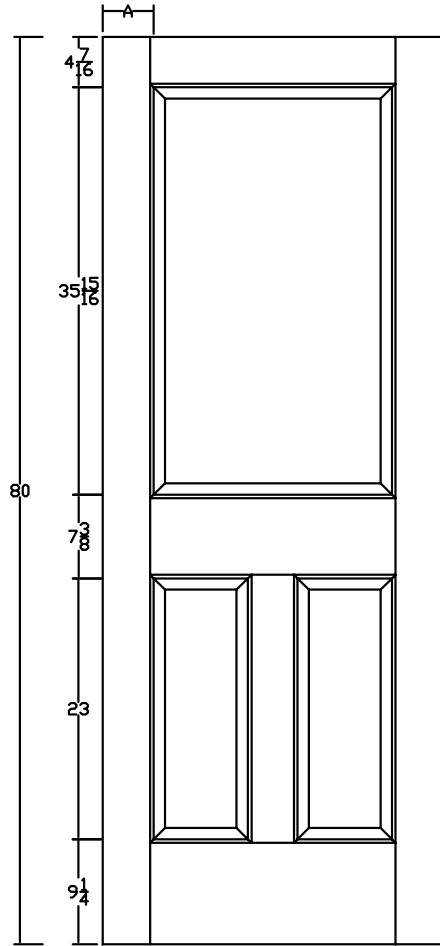
Prep. by: M.C.

Revision date	Rev.
	1

Scale nts

**MASONITE**  
Open to extraordinary.

Door width	24to36
stile width "A"	4-1/2"



# Specification sheet

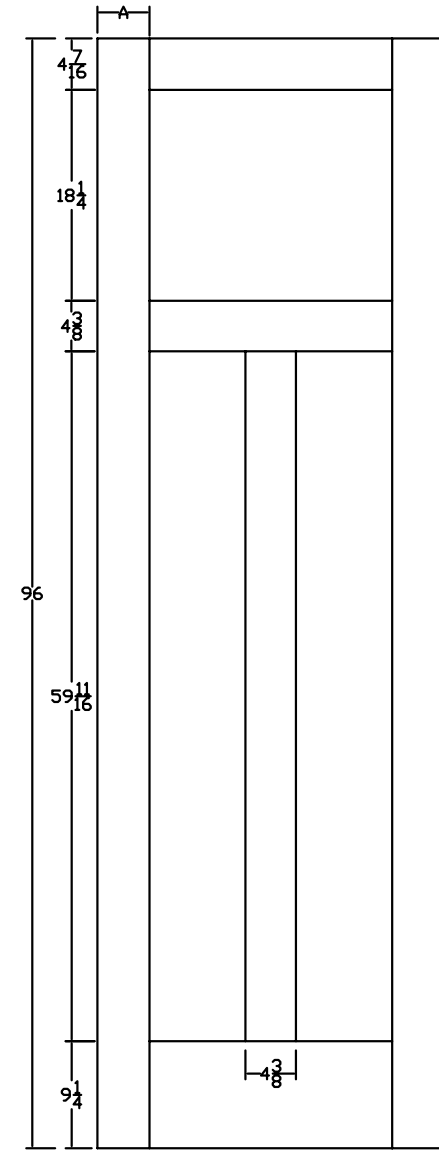
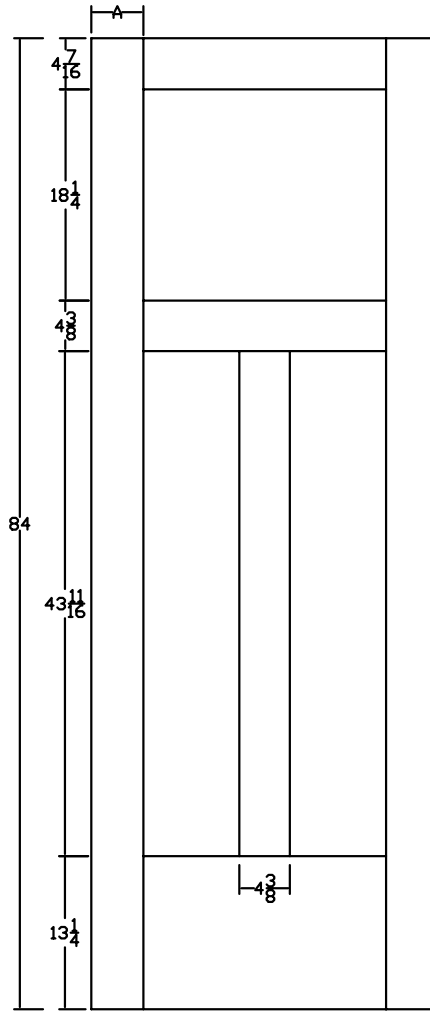
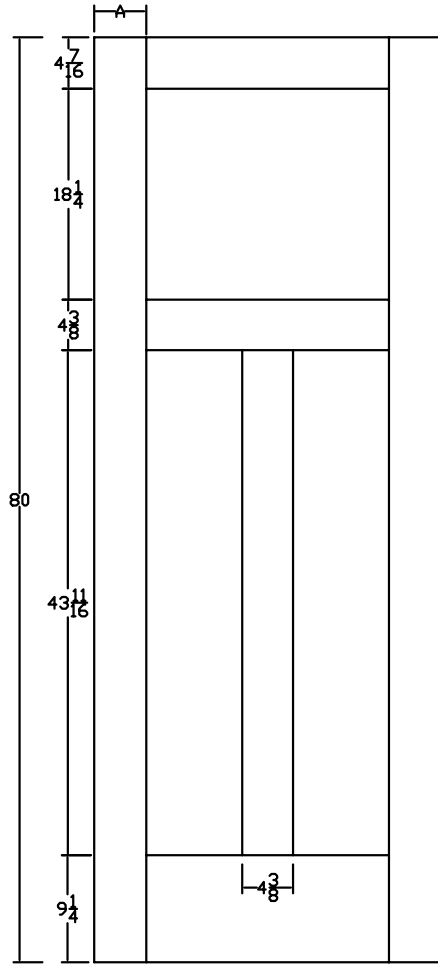
**Title** C32 SH PANEL OVOLO STICKING

Creation date	
2016-08-10 09:18:05	
Prep. by: M.C.	
Revision date	Rev.
	1
Scale nts	





Door width		22to36
stile width "A"		4-1/2"



## Specification sheet

Title

C35 FLAT PANEL SQUARE STICKING

Creation date  
2016-08-10 08:05:11

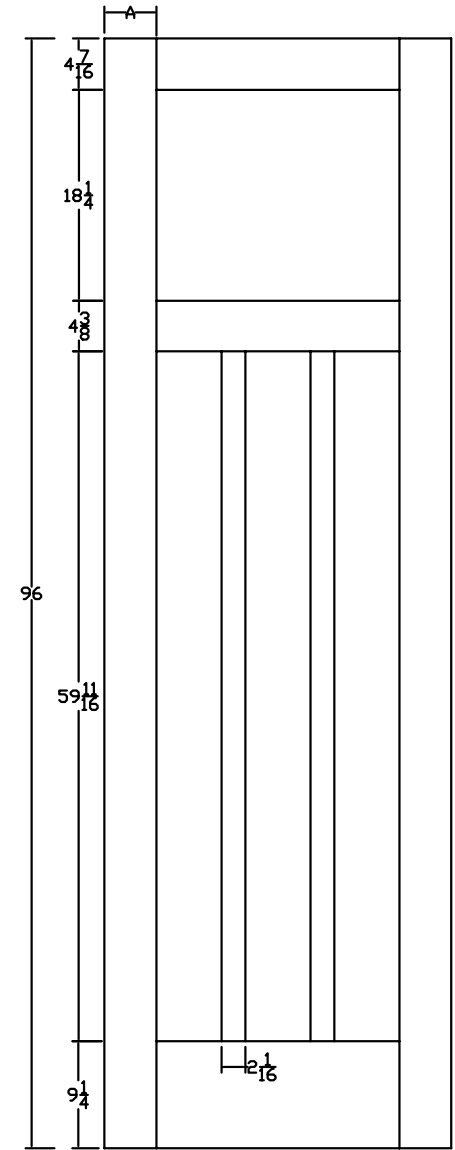
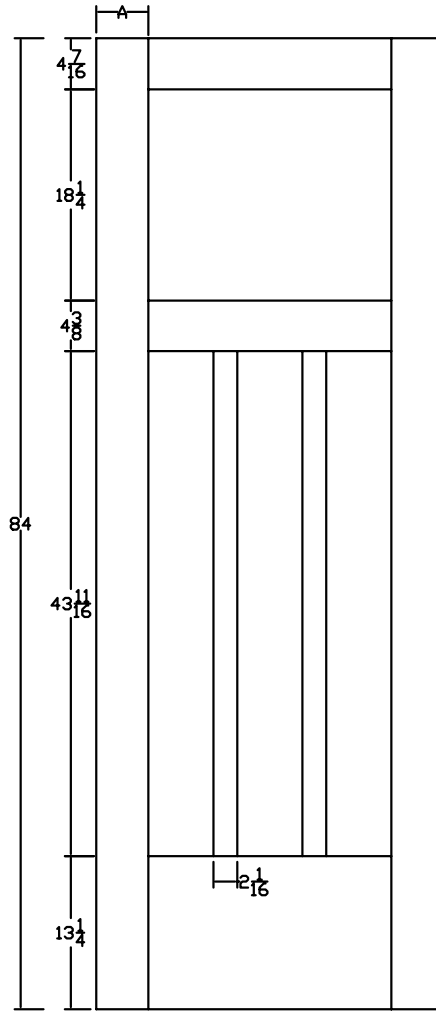
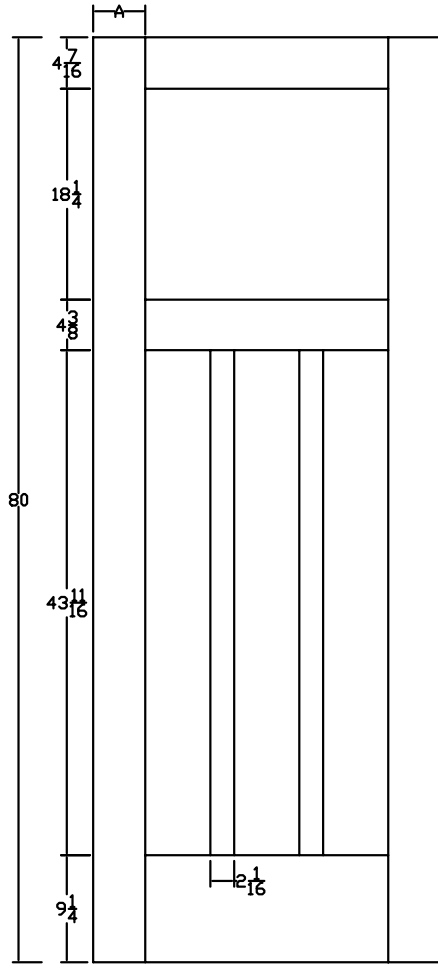
Prep. by: M.C.

Revision date  
Rev. 1

Scale nts

 **MASONITE**  
Open to extraordinary.

Door width		24to36
stile width "A"		4-1/2"



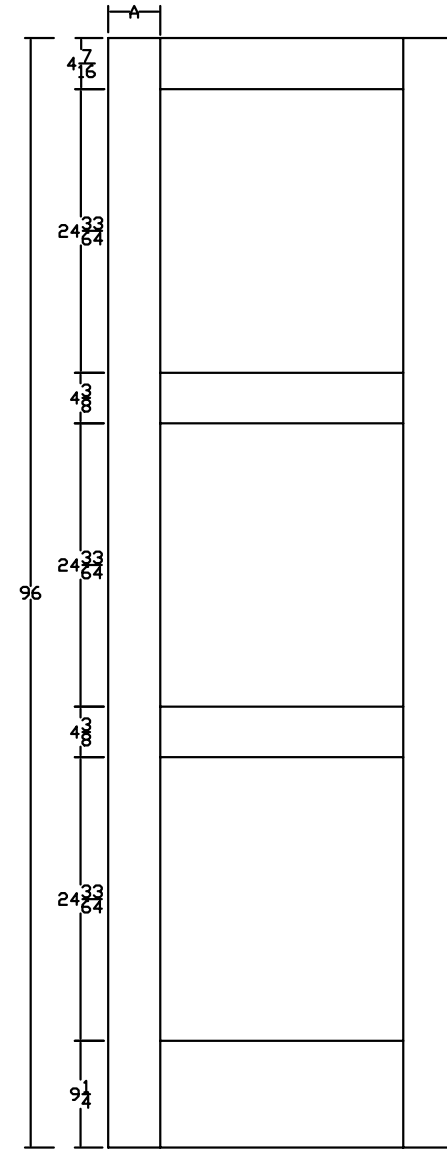
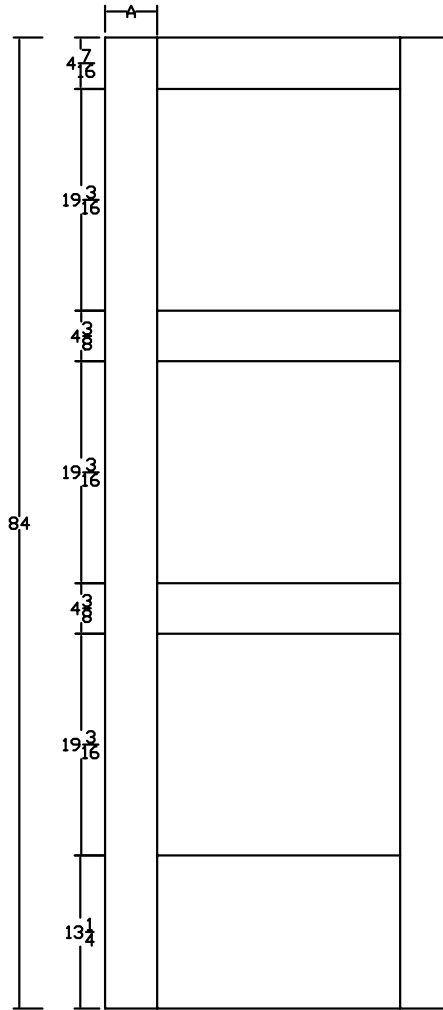
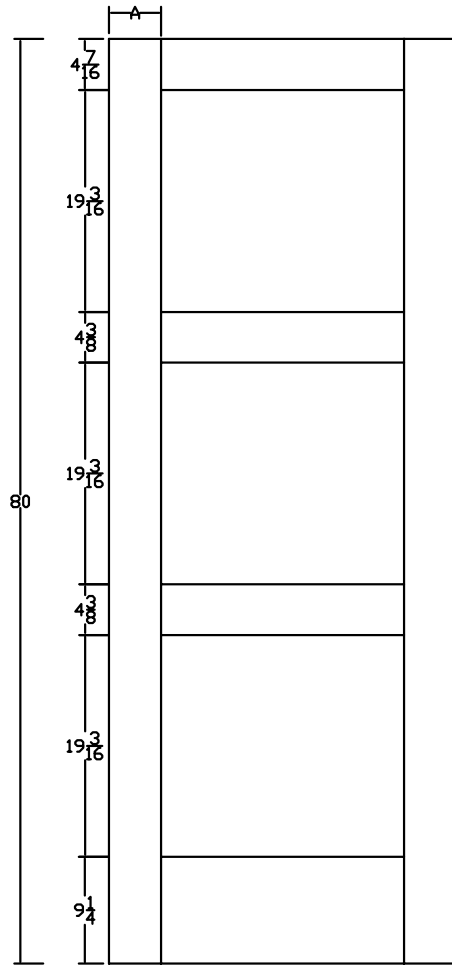
# Specification sheet

**Title** C46 FLAT PANEL SQUARE STICKING

Creation date	
2016-08-10 08:59:32	
Prep. by: M.C.	
Revision date	Rev.
	1
Scale nts	



Door width	12o14	15to36
stile width "A"	1-7/8"	4-1/2"



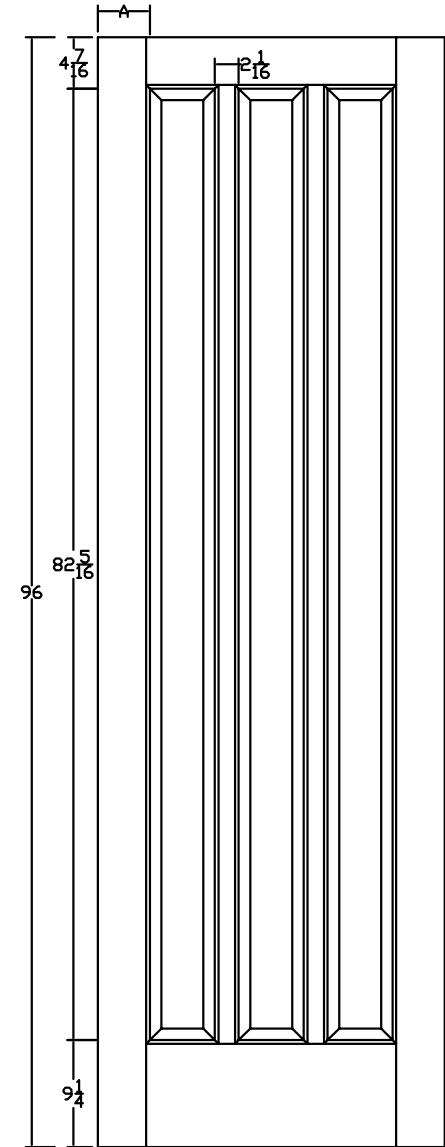
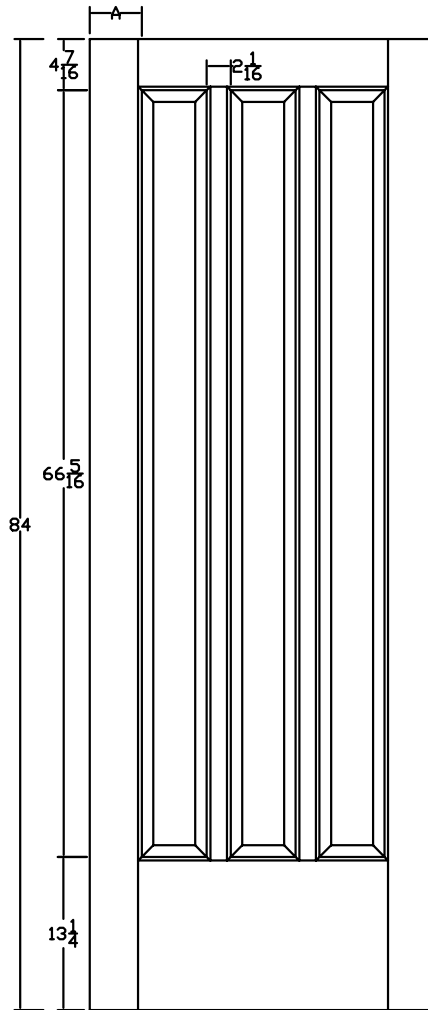
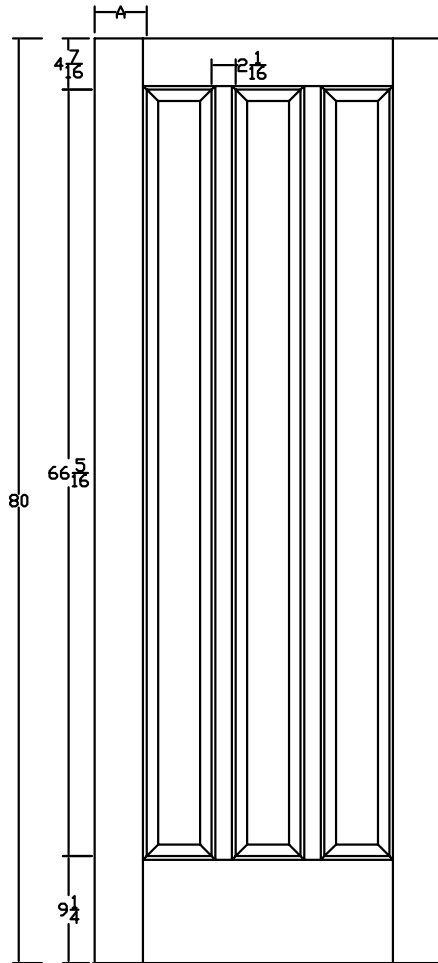
# Specification sheet

**Title** C30 FLAT PANEL SQUARE STICKING

Creation date	
2016-08-10 08:48:37	
Prep. by: M.C.	
Revision date	Rev.
	1
Scale nts	



Door width		26to36
stile width "A"		4-1/2"



## Specification sheet

Title

C38 SH PANEL OVOLO STICKING

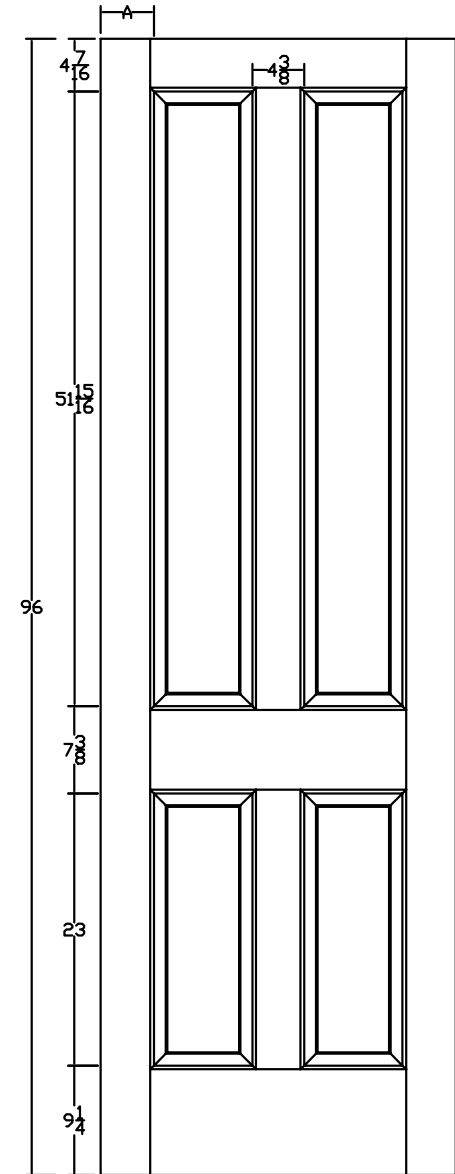
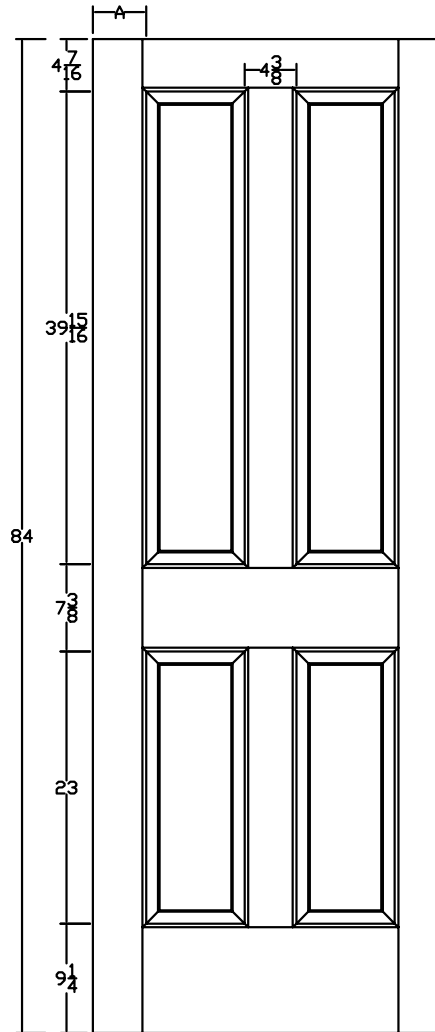
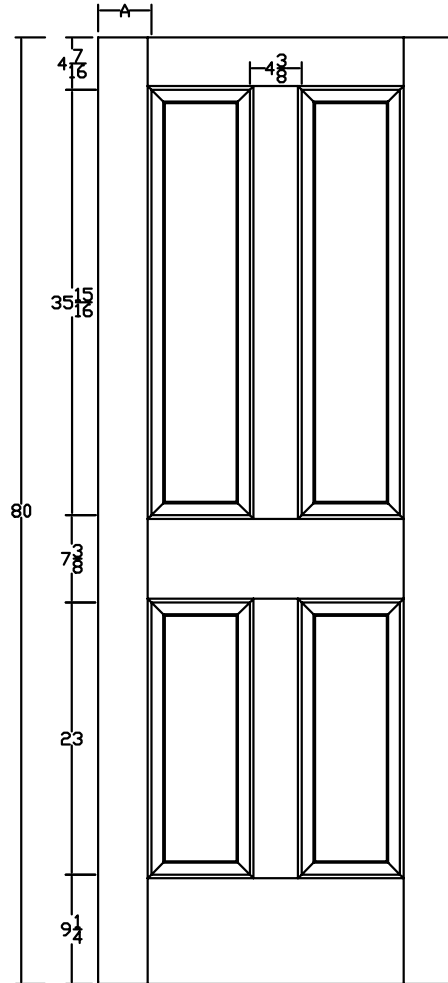
Creation date	
2016-08-10 09:08:53	
Prep. by: M.C.	
Revision date	Rev.
	1
Scale nts	



**MASONITE**

Open to extraordinary.

Door width		22to36
stile width "A"		4-1/2"



## Specification sheet

Title C44 OVOLO STICKING DH PANEL

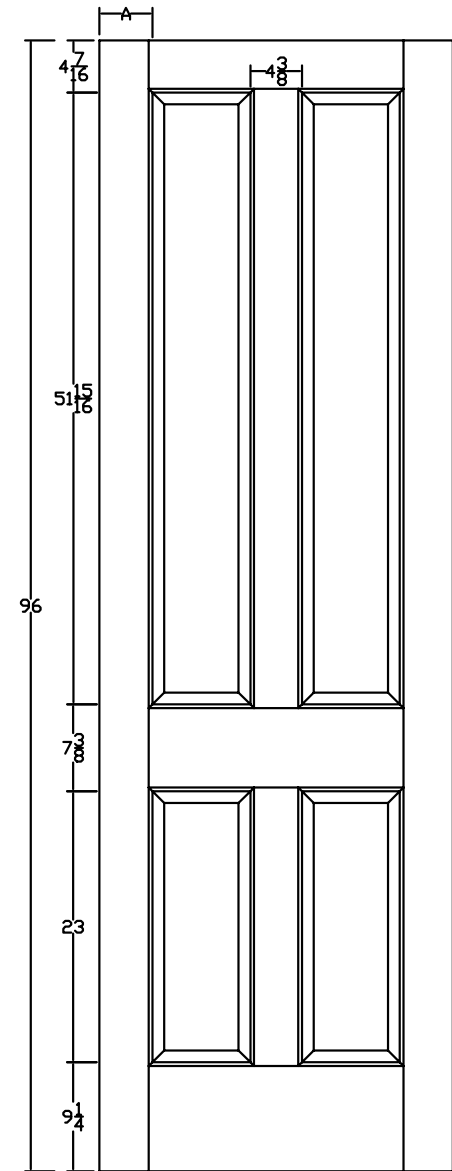
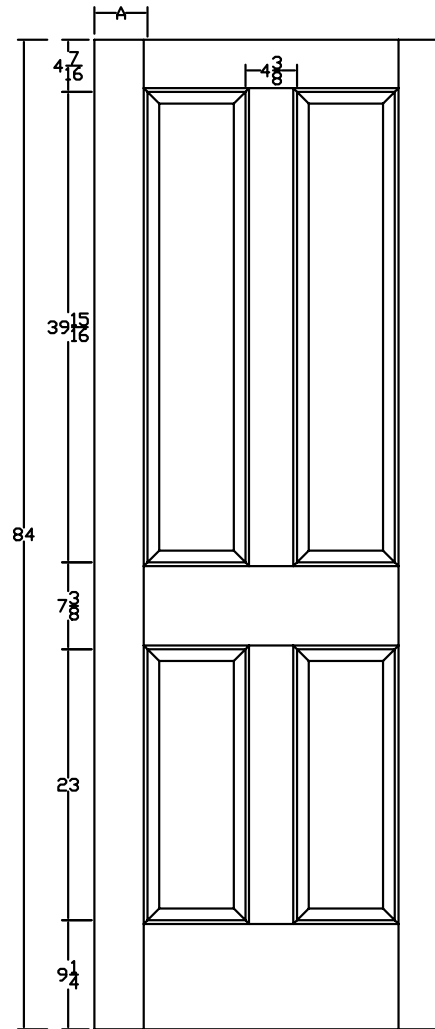
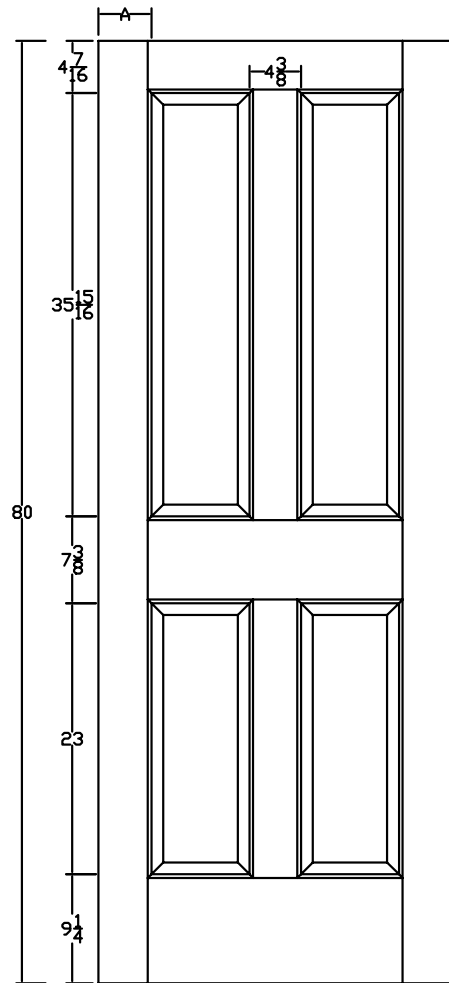
Creation date	
2016-08-09 13:55:23	
Prep. by: M.C.	
Revision date	Rev.
	1
Scale nts	



**MASONITE**

Open to extraordinary.

Door width		22to36
stile width "A"		4-1/2"



## Specification sheet

Title C44 OVOLO STICKING SH PANEL

Creation date  
2016-08-09 13:50:39

Prep. by: M.C.

Revision date  
Rev. 1

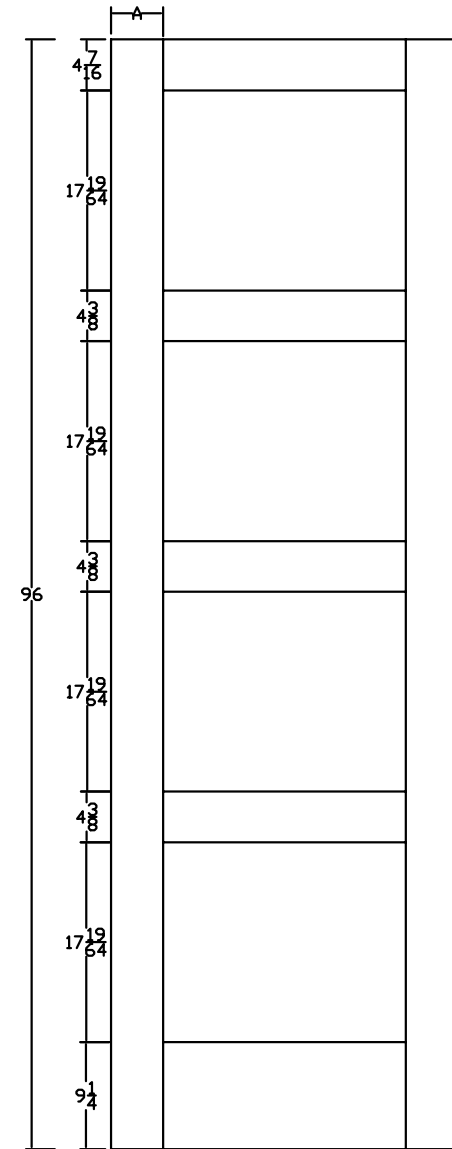
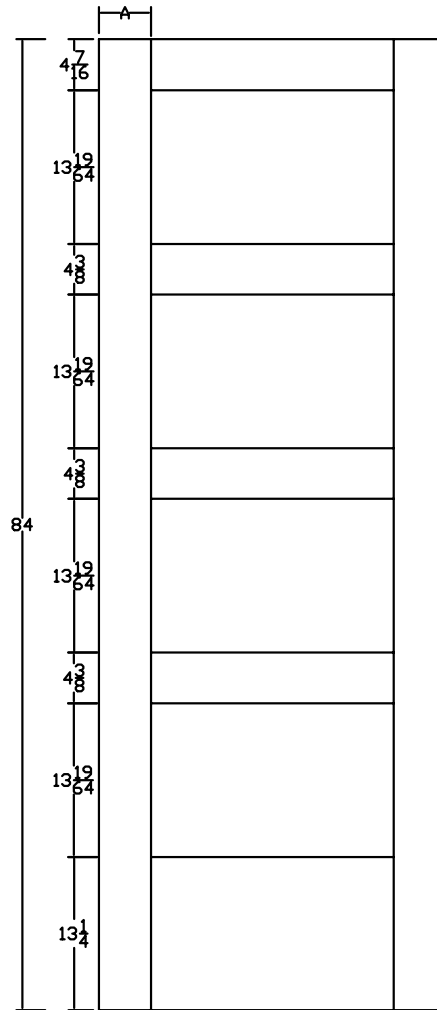
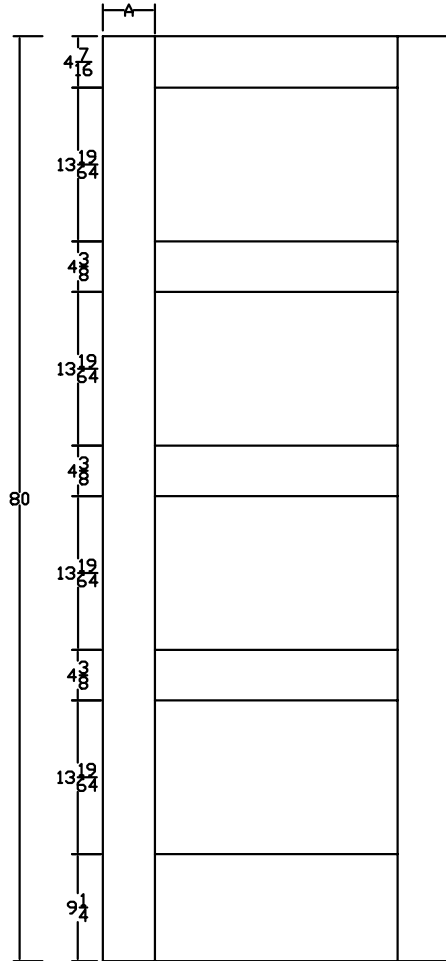
Scale nts



**MASONITE**

Open to extraordinary.

Door width	12o14	15to36
stile width "A"	1-7/8"	4-1/2"



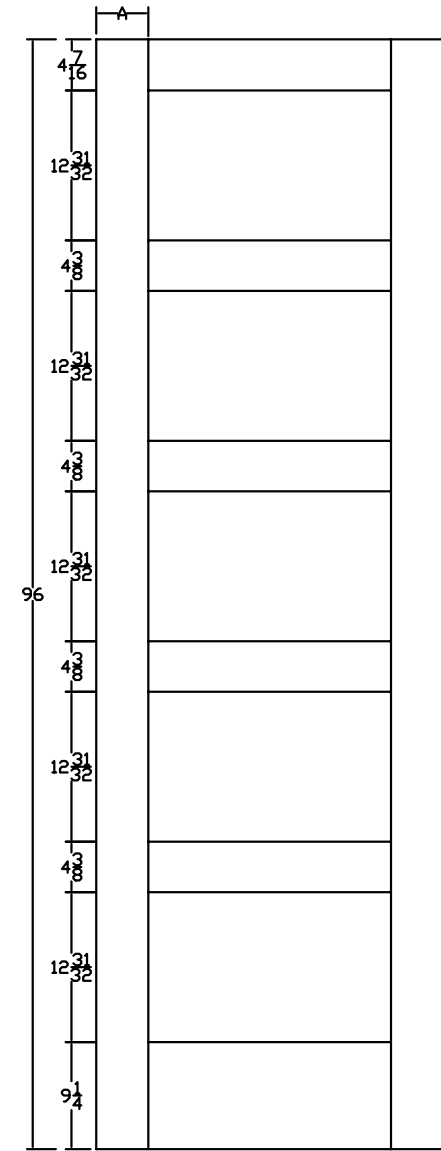
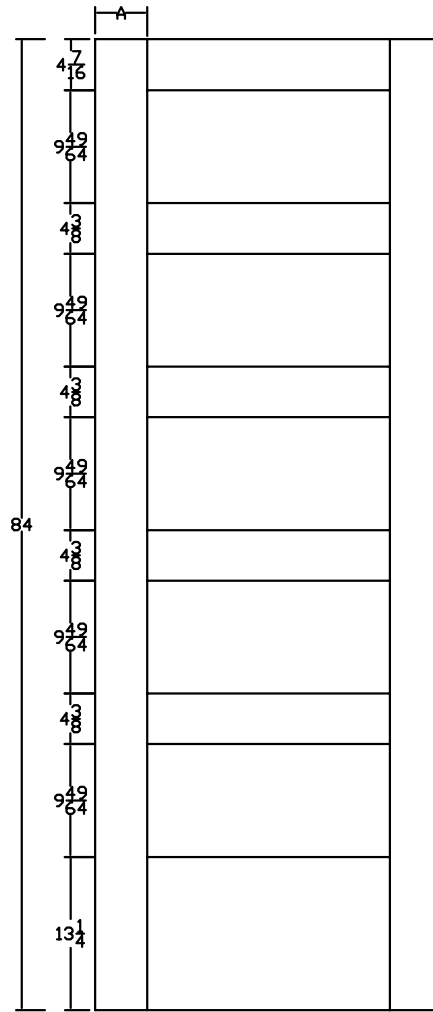
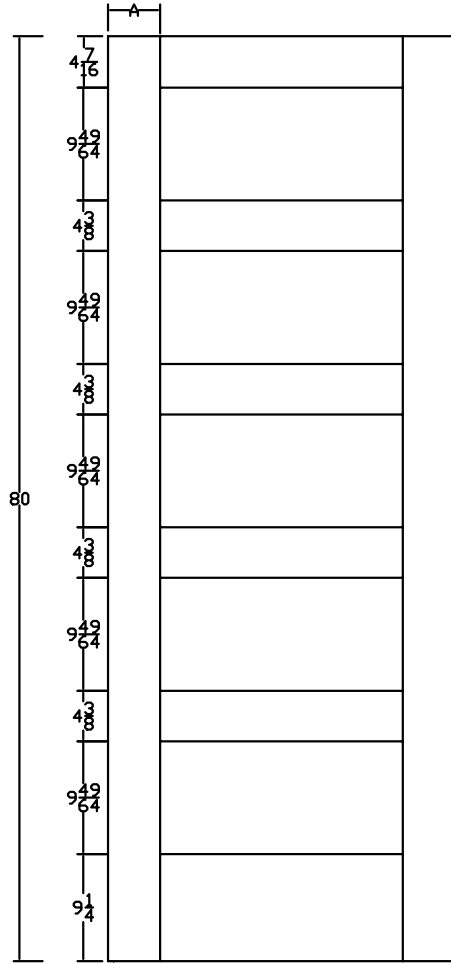
# Specification sheet

**Title**  
C40 FLAT PANEL SQUARE STICKING

Creation date	
2016-08-10 08:57:38	
Prep. by: M.C.	
Revision date	Rev.
	1
Scale nts	



Door width	12o14	15to36
stile width "A"	1-7/8"	4-1/2"



## Specification sheet

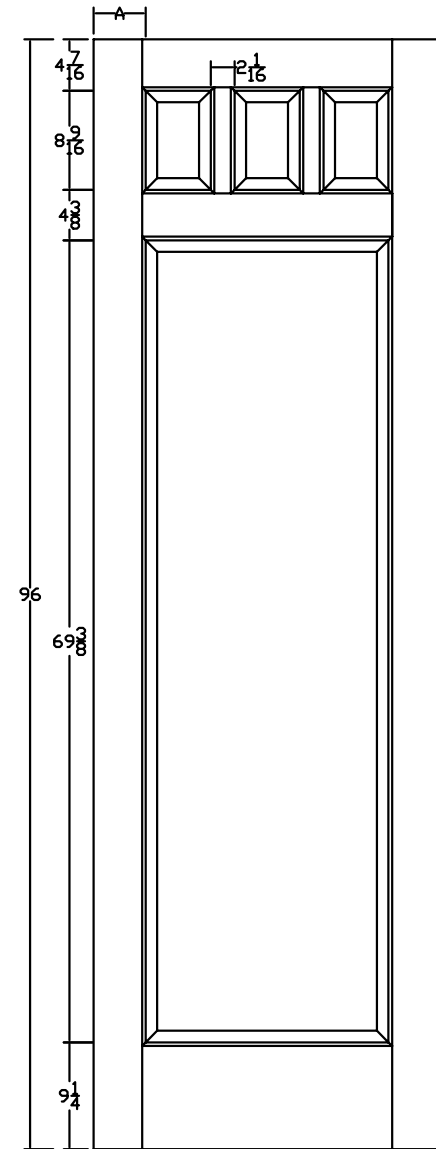
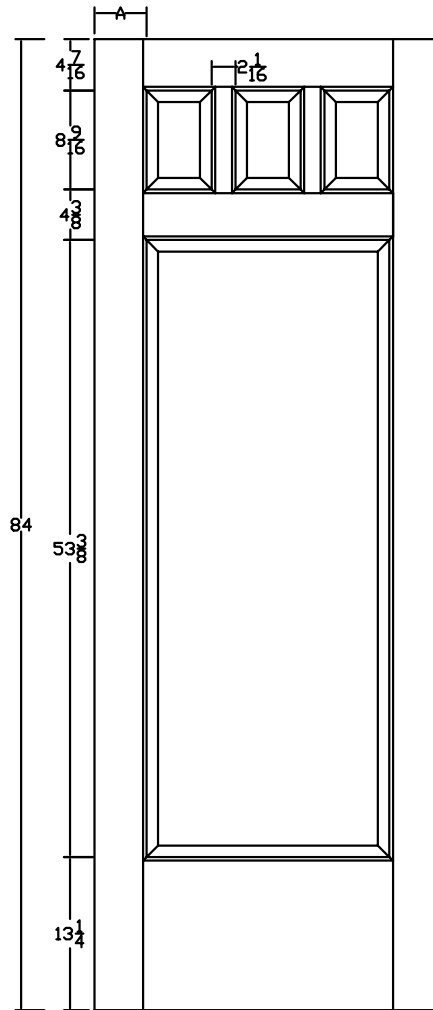
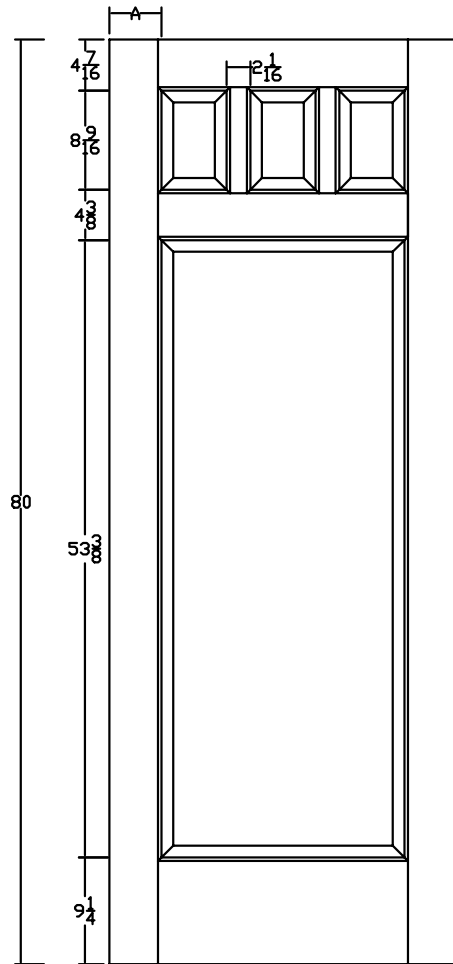
**Title** C55 FLAT PANEL SQUARE STICKING

Creation date	
2016-08-10 08:10:02	
Prep. by: M.C.	
Revision date	Rev.
	1
Scale nts	





Door width		26to36
stile width "A"		4-1/2"



## Specification sheet

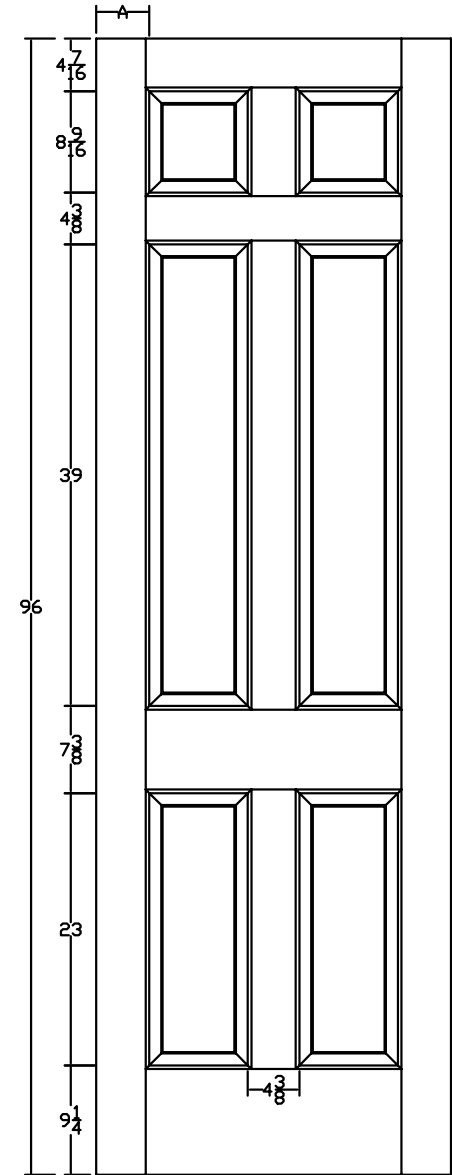
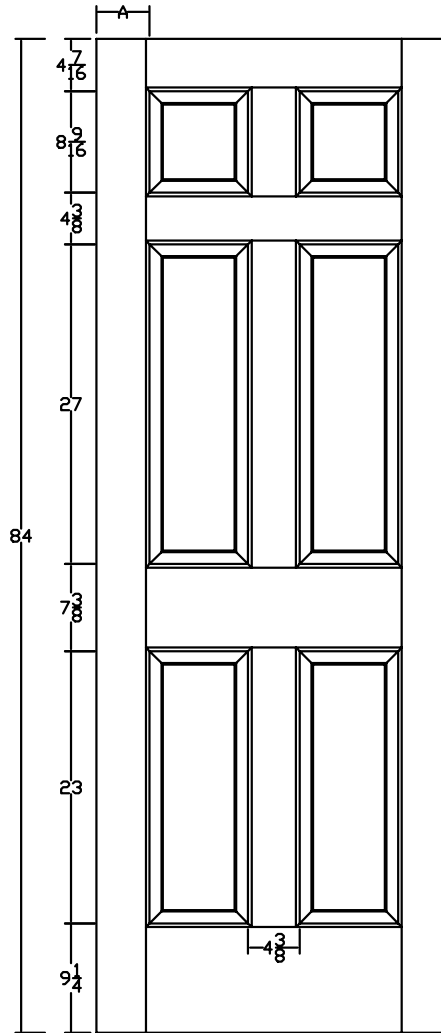
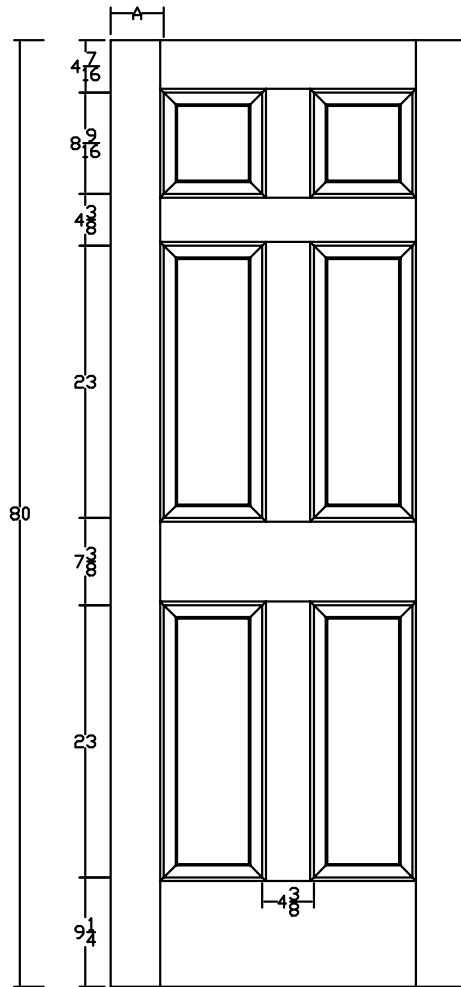
Title

C49 SH PANEL OVOLO STICKING

Creation date	
2016-08-10 09:10:00	
Prep. by: M.C.	
Revision date	Rev.
	1
Scale nts	

 **MASONITE**  
Open to extraordinary.

Door width		22to36
stile width "A"		4-1/2"



## Specification sheet

Title C66 OVOLO STICKING DH PANEL

Creation date  
2016-08-09 13:50:39

Prep. by: M.C.

Revision date  
Rev. 1

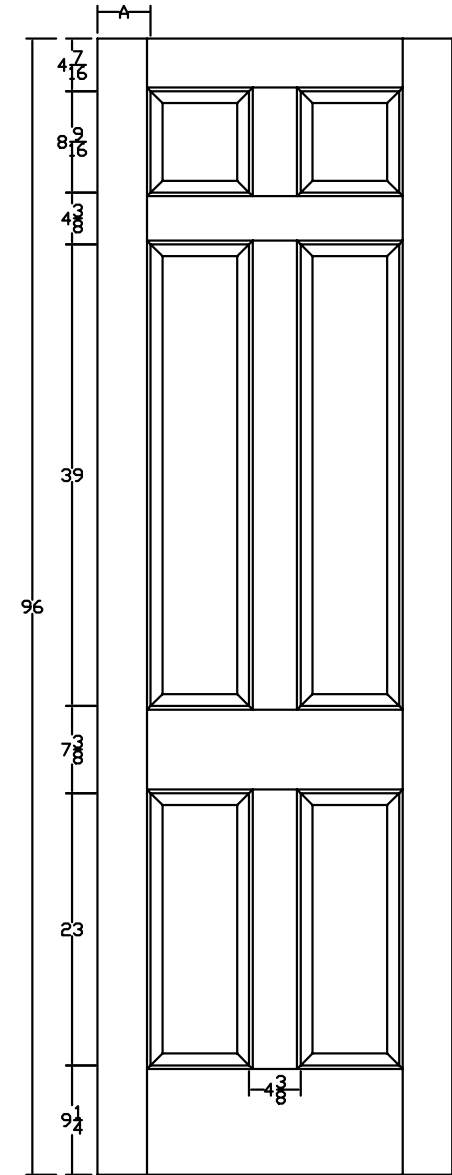
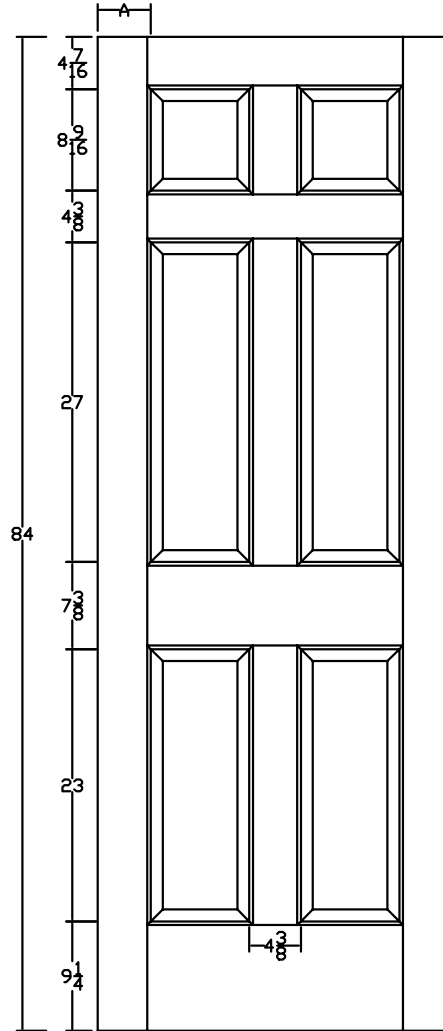
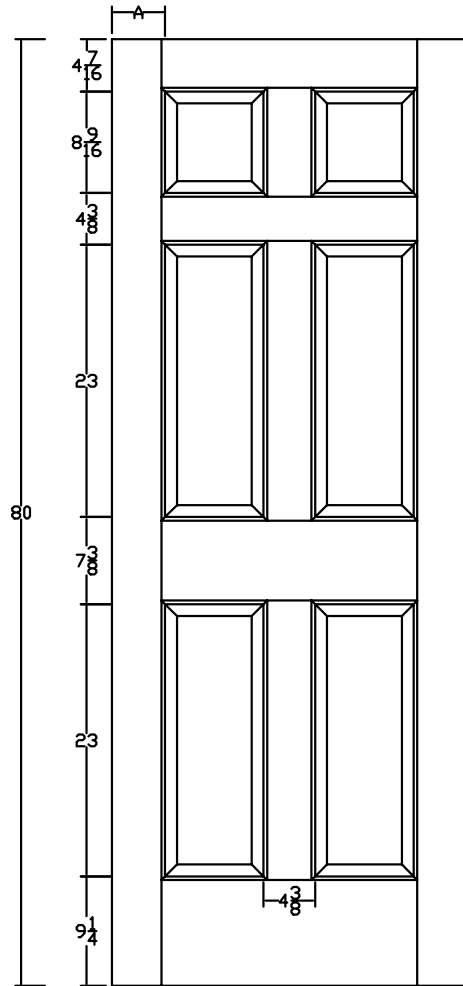
Scale nts



**MASONITE**

Open to extraordinary.

Door width		22to36
stile width "A"		4-1/2"



## Specification sheet

Title C66 OVOLO STICKING SH PANEL

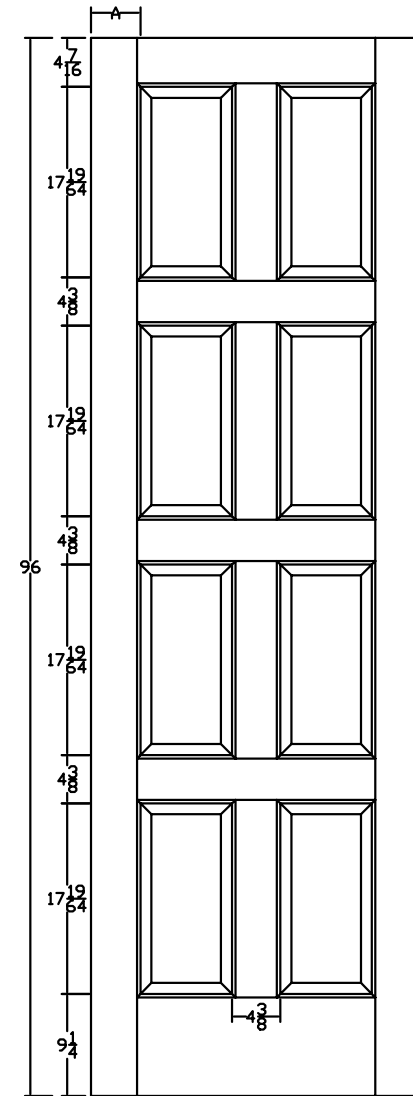
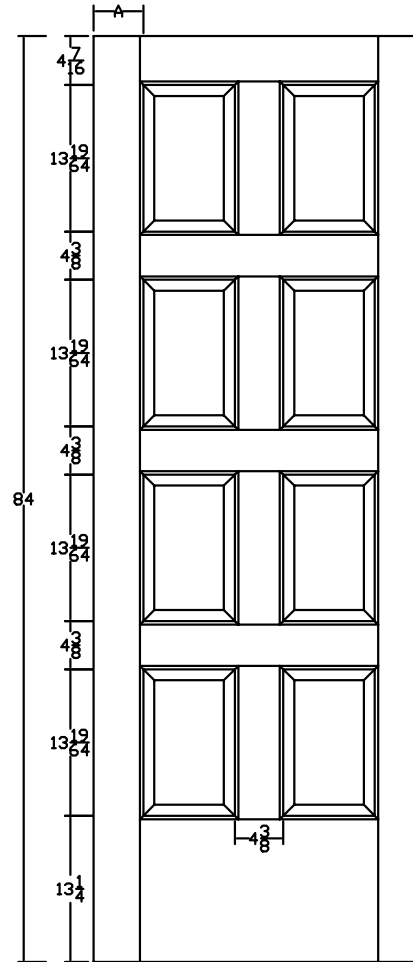
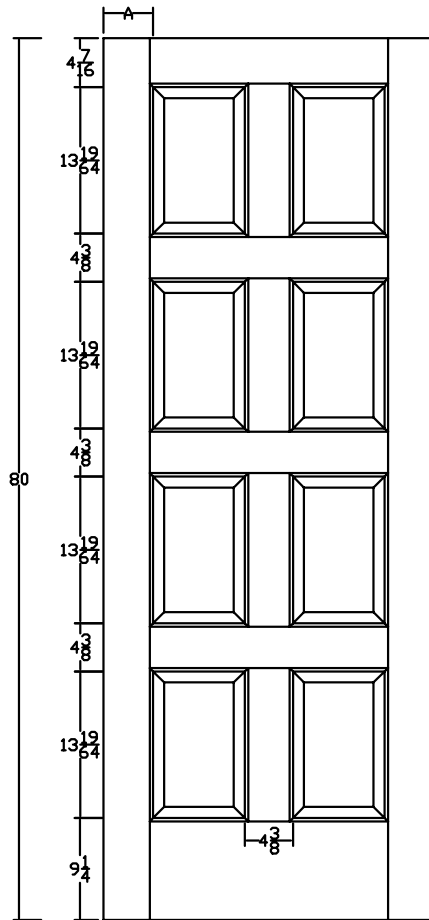
Creation date	
2016-08-09 13:50:39	
Prep. by: M.C.	
Revision date	Rev.
	1
Scale nts	



**MASONITE**

Open to extraordinary.

<i>Door width</i>	12to14	15to36
<i>stile width "A"</i>	1-7/8"	4-1/2"



## Specification sheet

**Title** C88 SH PANEL OVOLO STICKING

Creation date  
2016-08-10 09:22:55

Prep. by: M.C.

Revision date  
Rev. 1

Scale nts

**MASONITE**  
Open to extraordinary.