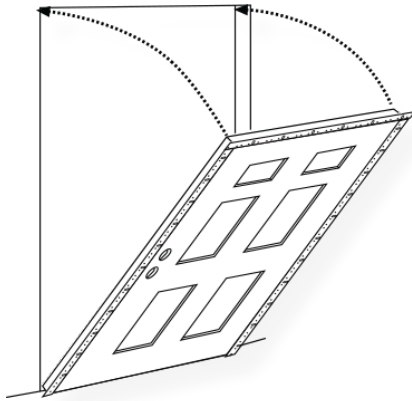


## FASTFRAME ADJUSTABLE 20 GAUGE FRAME WITH MASONITE LOCATIONS (PREHUNG)

For use with Masonite 1-3/4" steel doors below. Prehang a 20, 60, or 90 minute single door up to 3/0 x 6/8 or 7/0 in Fastframe.



### Kerf adjustable steel frame standard unit includes

- Frame: 4-1/2" - 5-1/2" kerfed adjustable steel 90 minute
- Hinges: 1-1/2 Pair 4 x 4 satin brass spring hinges
- Bore: Specify single bore (2-3/8" or 2-3/4" backset)  
Extender kit, white weatherstrip and hardware shipped loose

### Rough opening

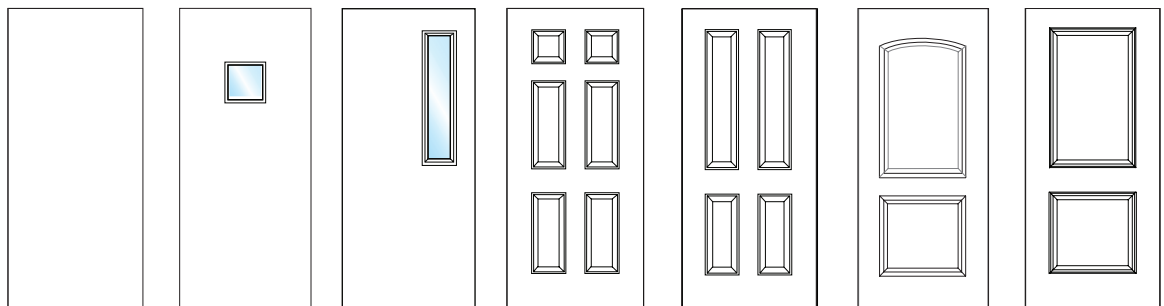
- Door size + 1-1/4" width, 1" height - ADA sill
- Door size + 1-1/4" width, 1-1/2" height - high dam sill



### 1-3/4" Steel doors

90 minute fire door entry system hung in steel frame.

• 3'0 x 6'8 & 7'0" also stocked with closer and panic reinforcement. Please specify if required.



	Flush 90R	Flush 1090R	Flush 590R	6 Panel 90R	4 panel New England 90R	2 panel Camber-top	2 panel Square-top
3/0 X 6/8	X•	X•	X•	X•	X•	X	X
2/10 X 6/8	-	-	-	X	-	-	-
2/8 X 6/8	X	X	X	X	X	X	X
2/6 X 6/8	X	X	X	X	-	-	-
2/0 X 6/8	X	X	X	-	-	-	-
3/0 X 7/0	X	X	X	X	-	-	-