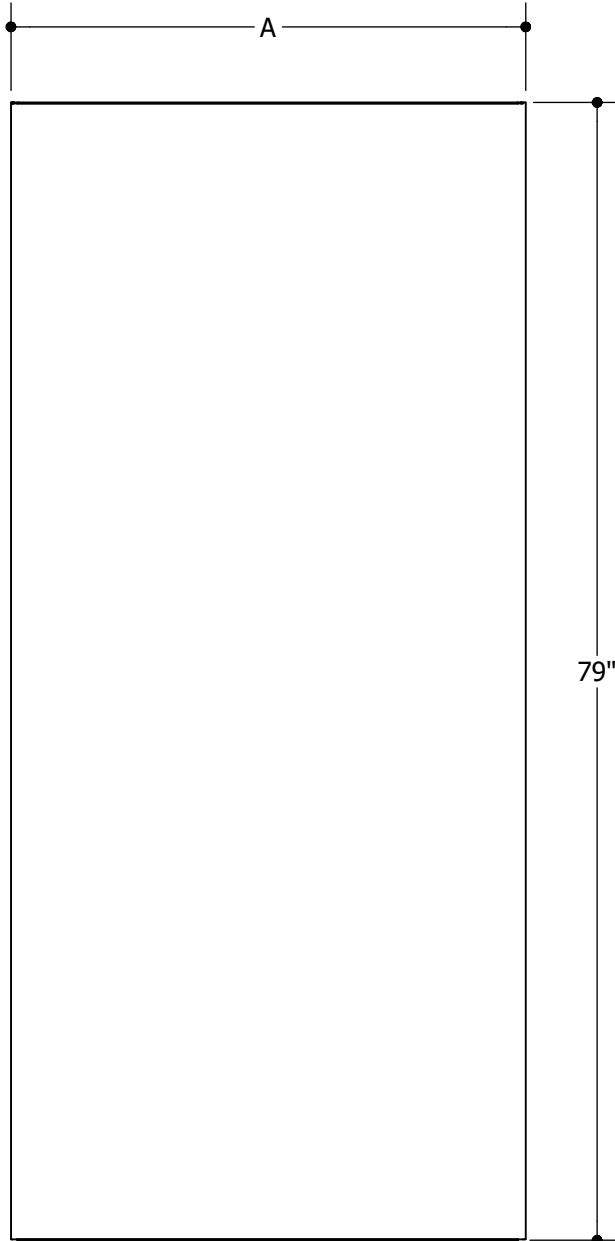


**UTILITY® SD FLUSH 6'8"**  
MASONITE™ SPEC



6'8"	A	23-3/4"	2'0"
6'8"	A	29-3/4"	2'6"
6'8"	A	31-3/4"	2'8"
6'8"	A	33-3/4"	2'10"
6'8"	A	35-3/4"	3'0"

**Options:**

- (LK) UTILITY® STEEL DOOR METAL-EDGE
- (WK) UTILITY® STEEL DOOR WOOD-EDGE
- (KK) UTILITY® STEEL DOOR WOOD-EDGE 20-MINUTE RATED
- (GK) UTILITY® STEEL DOOR METAL-EDGE 90-MINUTE RATED

**Note:**

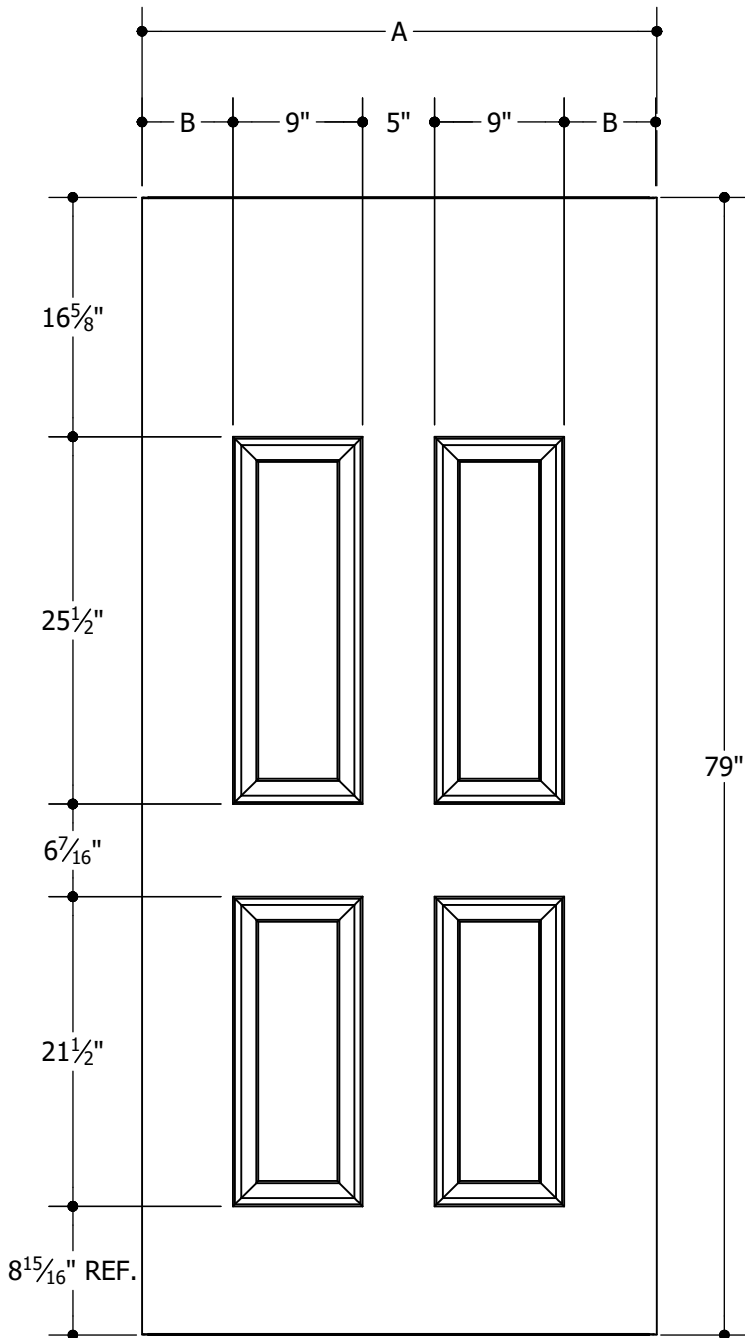
1. Overall Length and Width Dimensions are +/- 1/16 inch

\*Available as Prem Spec  
[www.masonite.com](http://www.masonite.com)

© 2017 Masonite International Corporation. All Rights Reserved.  
Our continuing program of product improvement makes specifications, design and product detail subject to change without notice.

Filename: TM-UTL-FL-68 001  
Revision: A  
Date: 01-04-2017  
Section XX XX.X.X

**UTILITY® SD 4-PANEL BLANK TOP 6'8"-7'0"**  
MASONITE™ SPEC



6'8"	A	31-3/4"	2'8"
	B	4-3/8"	
6'8"	A	33-3/4"	2'10"
	B	5-3/8"	
6'8"	A	35-3/4"	3'0"
	B	6-3/8"	

**Options:**

- (LK) UTILITY® STEEL DOOR METAL-EDGE
- (WK) UTILITY® STEEL DOOR WOOD-EDGE

**Note:**

Overall Length and Width Dimensions are +/- 1/16 inch

\*Available as Prem Spec

[www.masonite.com](http://www.masonite.com)

© 2017 Masonite International Corporation. All Rights Reserved.

Our continuing program of product improvement makes specifications, design and product detail subject to change without notice.

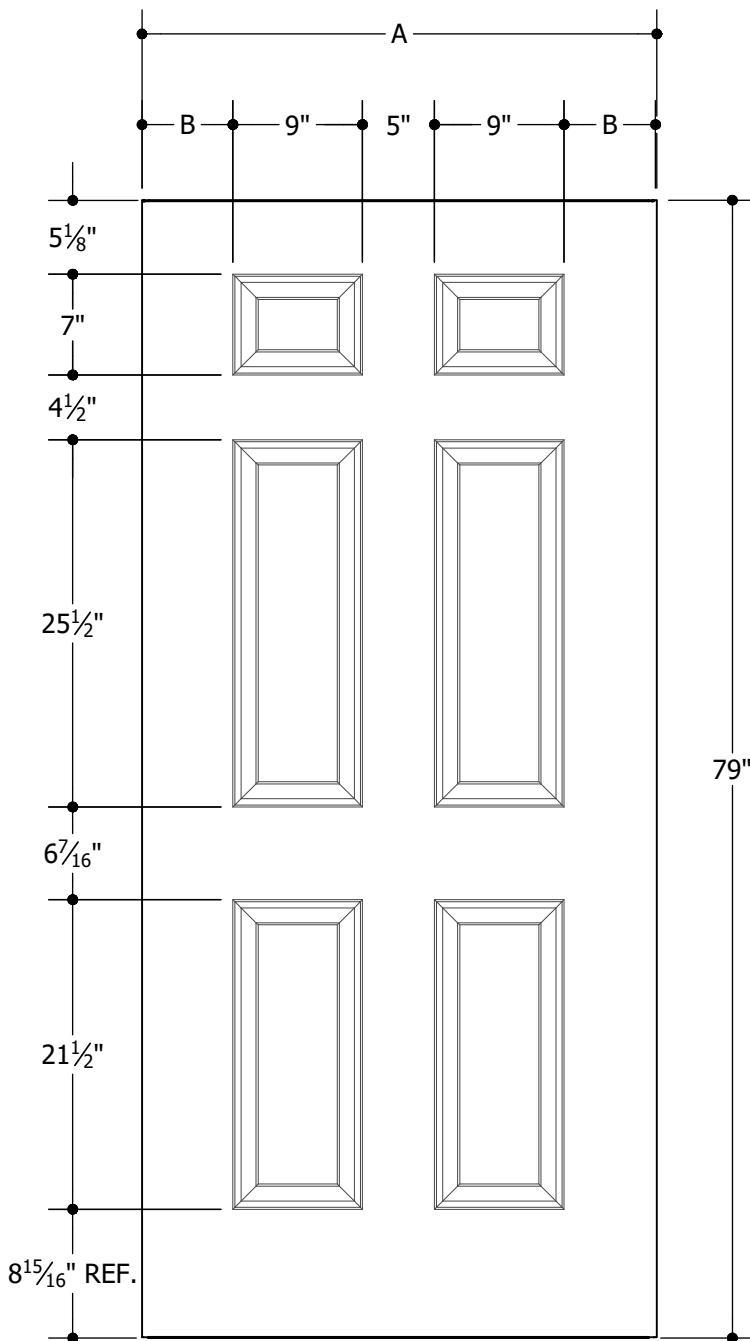
Filename: TM-UTL-4P BLNK TP-68 002

Revision: A

Date: 1-04-2016

Section XX XX.X.X

**UTILITY® SD 6-PANEL 6'8"-7'0"**  
MASONITE™ SPEC



6'8"	A	31-3/4"	2'8"
	B	4-3/8"	
6'8"	A	33-3/4"	2'10"
	B	5-3/8"	
6'8"	A	35-3/4"	3'0"
	B	6-3/8"	

**Options:**

- (LK) UTILITY® STEEL DOOR METAL-EDGE
- (WK) UTILITY® STEEL DOOR WOOD-EDGE
- (KK) UTILITY® STEEL DOOR WOOD-EDGE 20-MINUTE RATED
- (GK) UTILITY® STEEL DOOR METAL-EDGE 90-MINUTE RATED

**Note:**

Overall Length and Width Dimensions are +/- 1/16 inch

\*Available as Prem Spec  
[www.masonite.com](http://www.masonite.com)

© 2017 Masonite International Corporation. All Rights Reserved.

Our continuing program of product improvement makes specifications, design and product detail subject to change without notice.

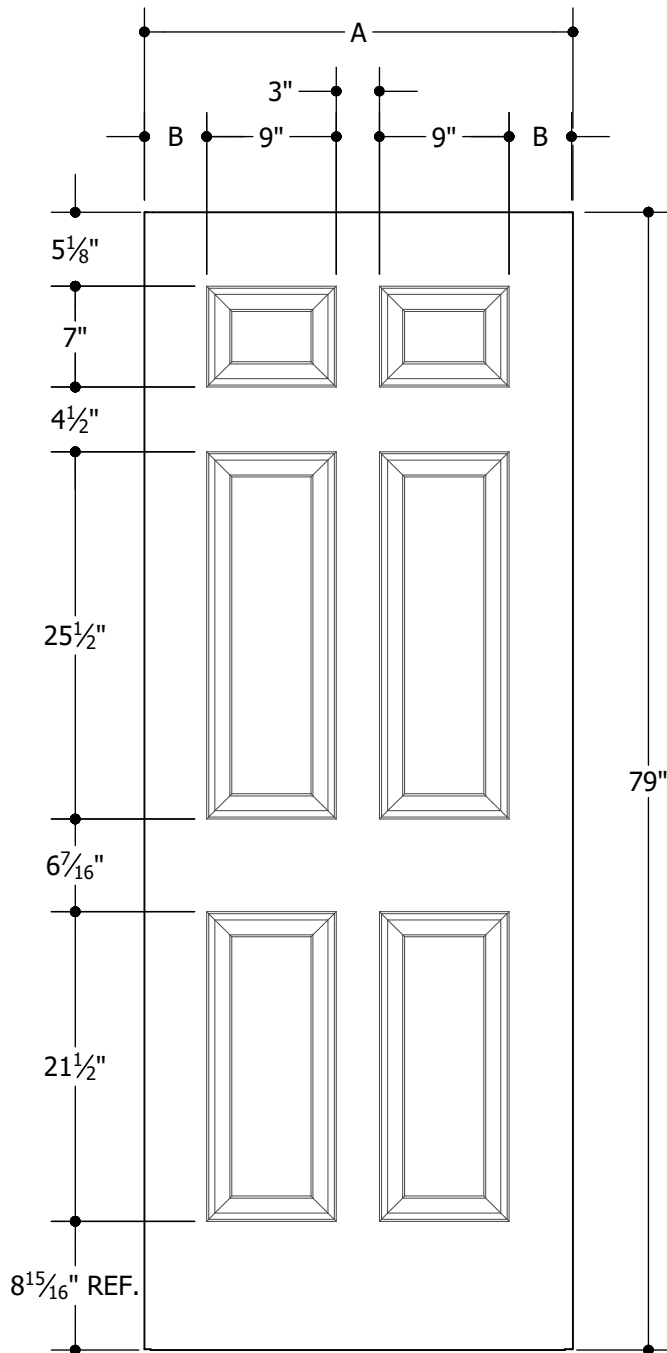
Filename: TM-UTL-6P-68 003

Revision: A

Date: 1-04-2016

Section XX XX.X.X

**UTILITY® SD 6-PANEL NARROW 6'8"-7'0"**  
 MASONITE™ SPEC



<b>6'8"</b>	A	29-3/4"	<b>2'6"</b>
	B	4-3/8"	

**Options:**

- (LK) UTILITY® STEEL DOOR METAL-EDGE
- (WK) UTILITY® STEEL DOOR WOOD-EDGE
- (KK) UTILITY® STEEL DOOR WOOD-EDGE 20-MINUTE RATED
- (GK) UTILITY® STEEL DOOR METAL-EDGE 90-MINUTE RATED

**Note:**

1. Overall Length and Width Dimensions are +/- 1/16 inch

\*Available as Prem Spec

[www.masonite.com](http://www.masonite.com)

© 2017 Masonite International Corporation. All Rights Reserved.

Our continuing program of product improvement makes specifications, design and product detail subject to change without notice.

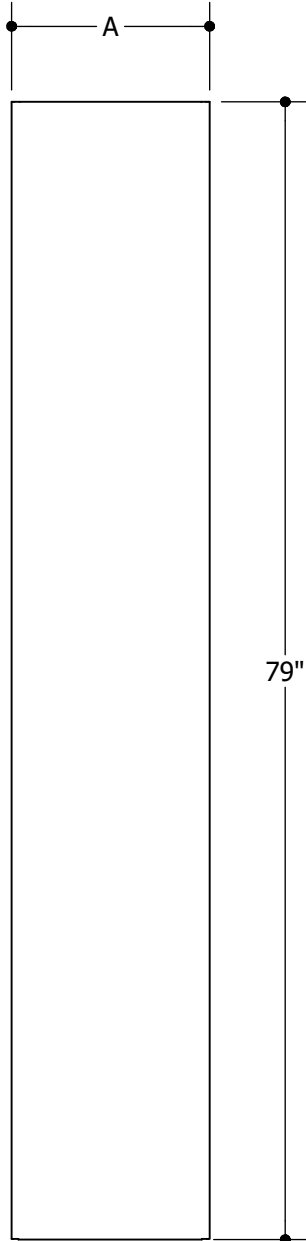
Filename: TM-UTL-6P NRW-68 004

Revision: A

Date: 1-04-2016

Section XX XX.X.X

**UTILITY® SD FLUSH SIDELITE 6'8"-7'0"**  
MASONITE™ SPEC\*



6'8"	A	11-7/8"	12"
6'8"	A	13-7/8"	14"

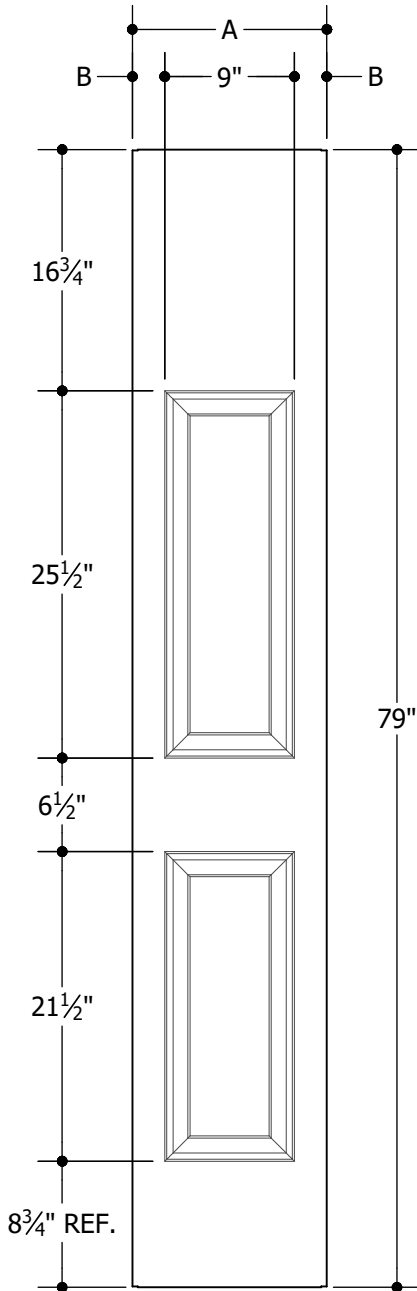
**Options:**  
UTILITY® STEEL SIDELITE WOOD-EDGE

**Note:**  
1. Overall Length and Width Dimensions are +/- 1/16 inch

\*Available as Prem Spec  
[www.masonite.com](http://www.masonite.com)

© 2017 Masonite International Corporation. All Rights Reserved.  
Our continuing program of product improvement makes specifications, design and product detail subject to change without notice.

Filename: TM-UTL-FL SL-68 005  
Revision: A  
Date: 1-04-2017  
Section XX XX.X.X

**UTILITY® SD 2-PANEL SIDELITE 6'8"-7'0"**  
 MASONITE™ SPEC\*


6'8"	A	11-7/8"	12"
	B	1-7/16"	
6'8"	A	13-7/8"	14"
	B	2-7/16"	

**Options:**  
 (SK) UTILITY® STEEL SIDELITE WOOD-EDGE

**Note:**  
 1. Overall Length and Width Dimensions are +/- 1/16 inch

\*Available as Prem Spec  
[www.masonite.com](http://www.masonite.com)

© 2017 Masonite International Corporation. All Rights Reserved.  
 Our continuing program of product improvement makes specifications, design and product detail subject to change without notice.

Filename: TM-UTL-2P SL-68 006  
 Revision: A  
 Date: 1-05-2017  
 Section XX XX.X.X