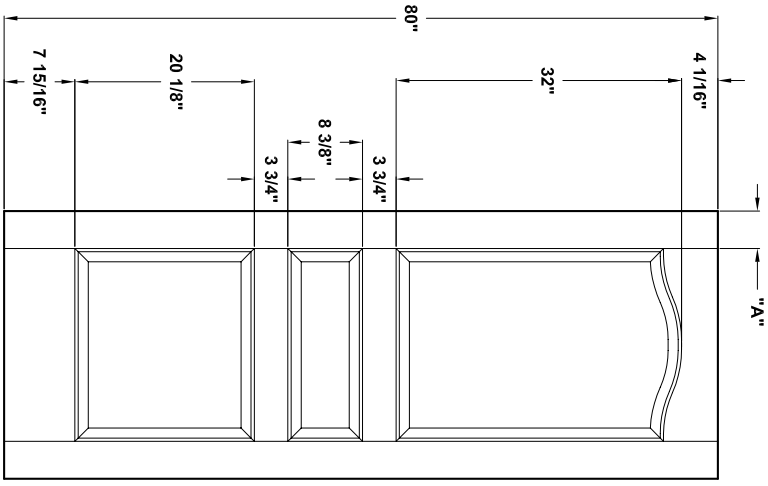
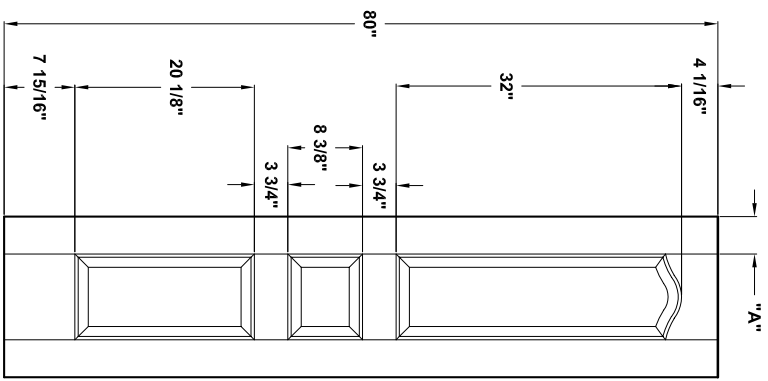
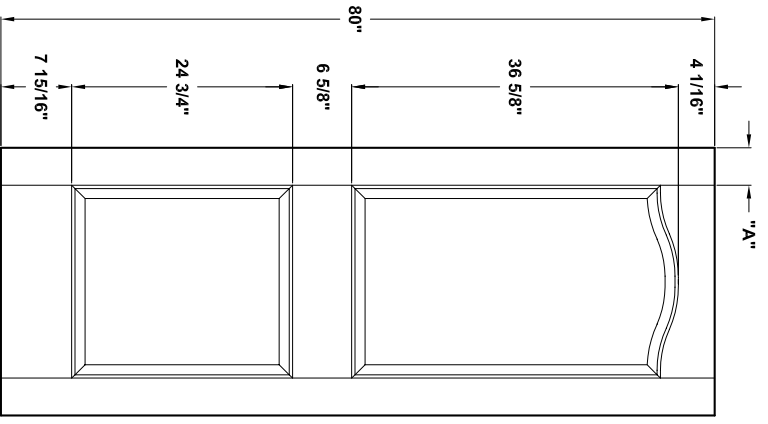
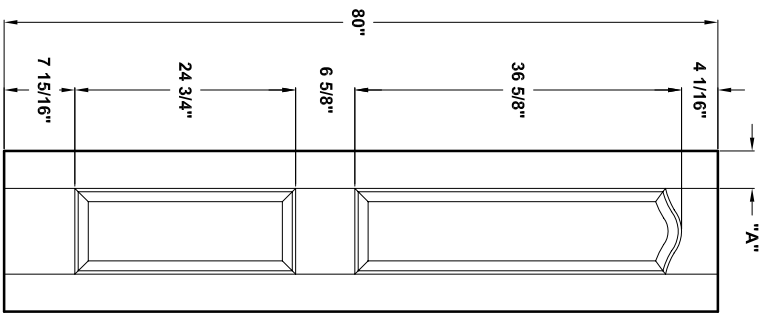


Door width	12" to 16"	18" to 36"
Stile width "A"	3 3/16"	4-3/16"



Specification sheet

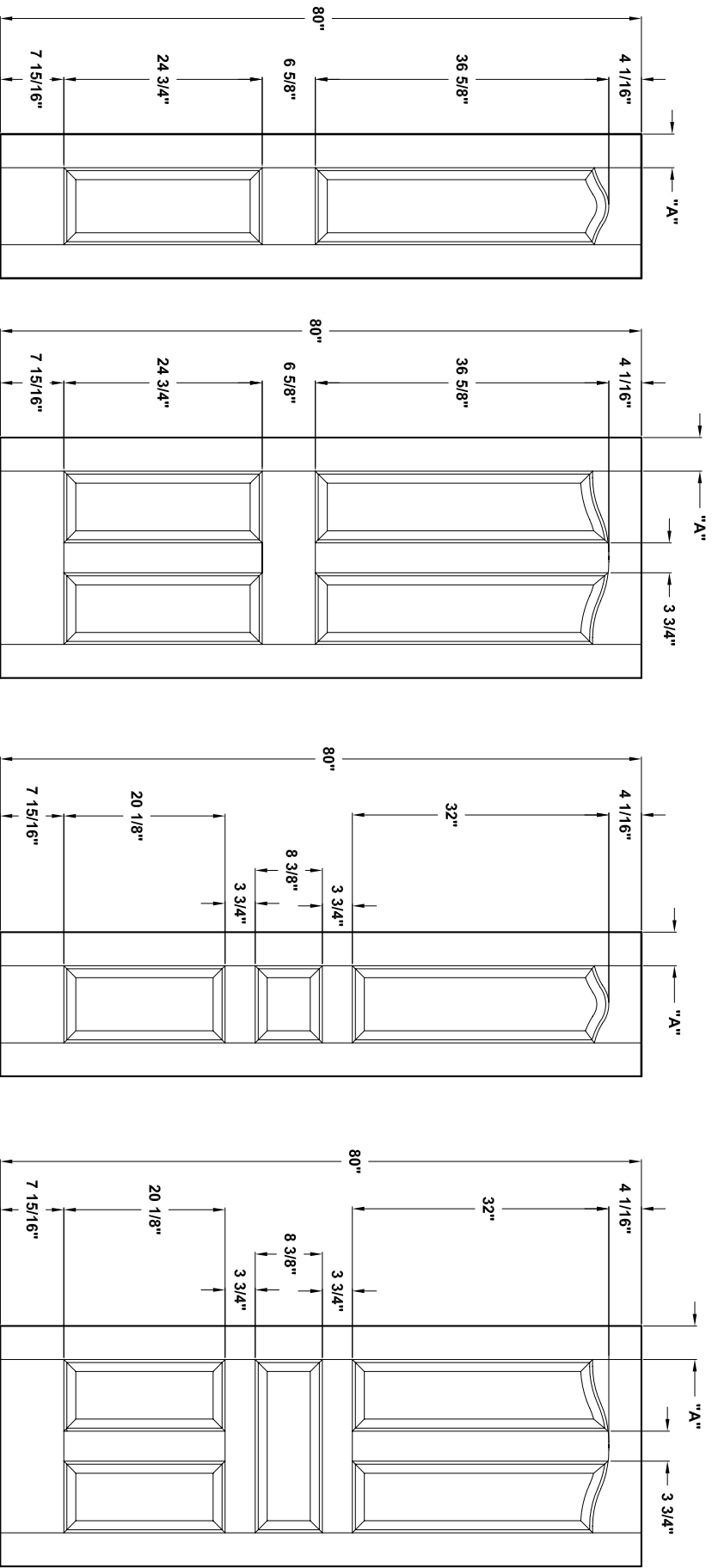
Title **2 - 3 Panel door "Eyebrow"** Height **80"**

Creation date **2004-June-03**
 Prep. by: J.C.
 Revision date **2005-02-22**
 Scale nts
 Rev. **1**



E80-01

Door width	12" to 16"	18" to 36"
stile width "A"	3 3/16"	4-3/16"



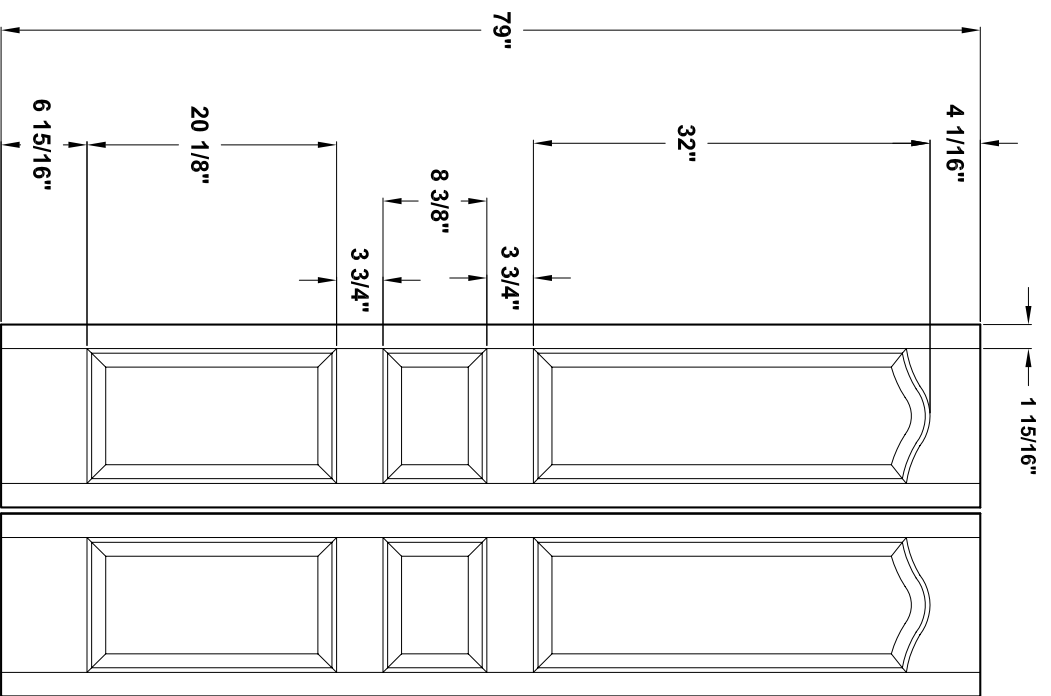
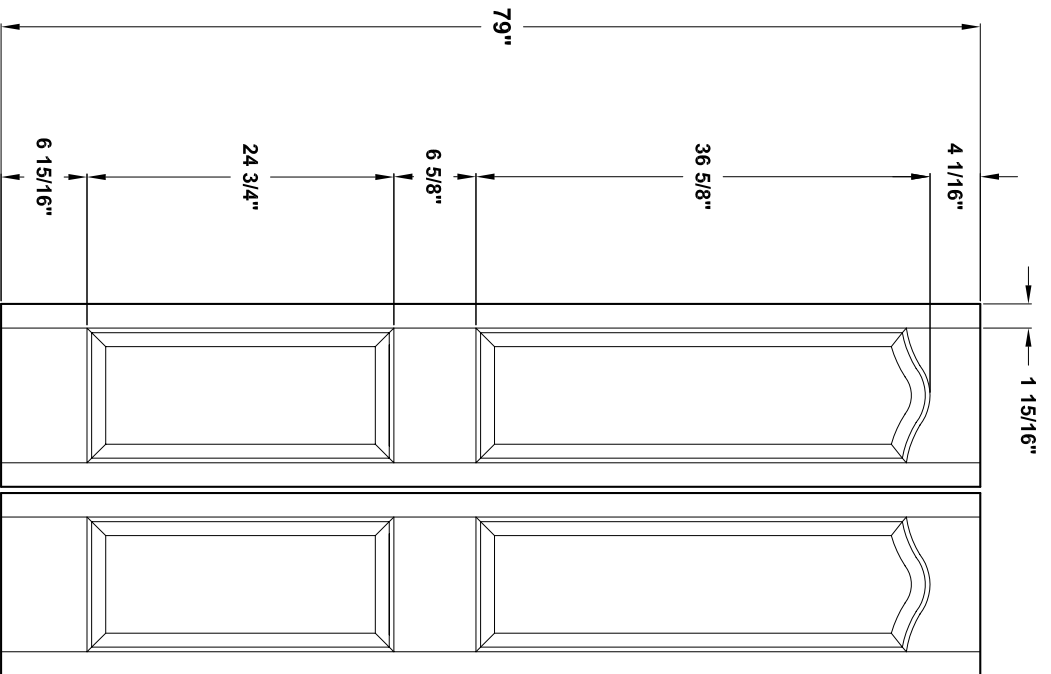
Specification sheet

Title **4 - 5 Panel door "Eyebrow"** Height **80"**

Creation date **2004-June-03**
 Prep. by: **J.C.**
 Revision date **2005-02-22**
 Scale **nts**



E80-02



+ 1 " for hardware
 Finished opening required: 80 3/4 "

Specification sheet

Title
 2 - 3 Panel door Bifold "Eyebrow"

Height
 80"

Creation date
 2004-June-03

Prep. by: J.C.

Revision date
 2005-02-22

Rev.
 1

Scale nts

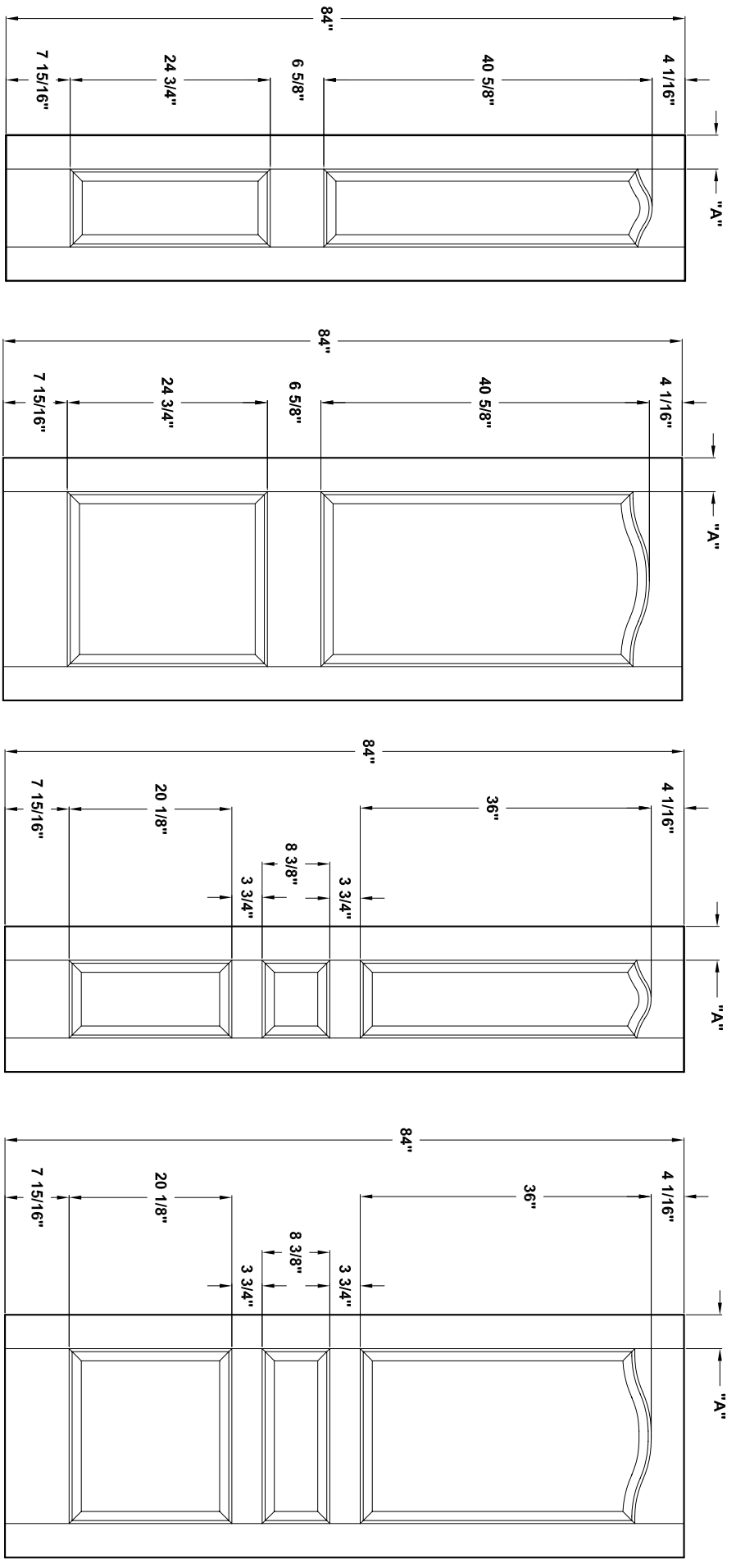


Masonite[®]

Masonite International Corporation

E80-03

Door width	12" to 16"	18" to 36"
Stile width "A"	3 3/16"	4-3/16"



Specification sheet

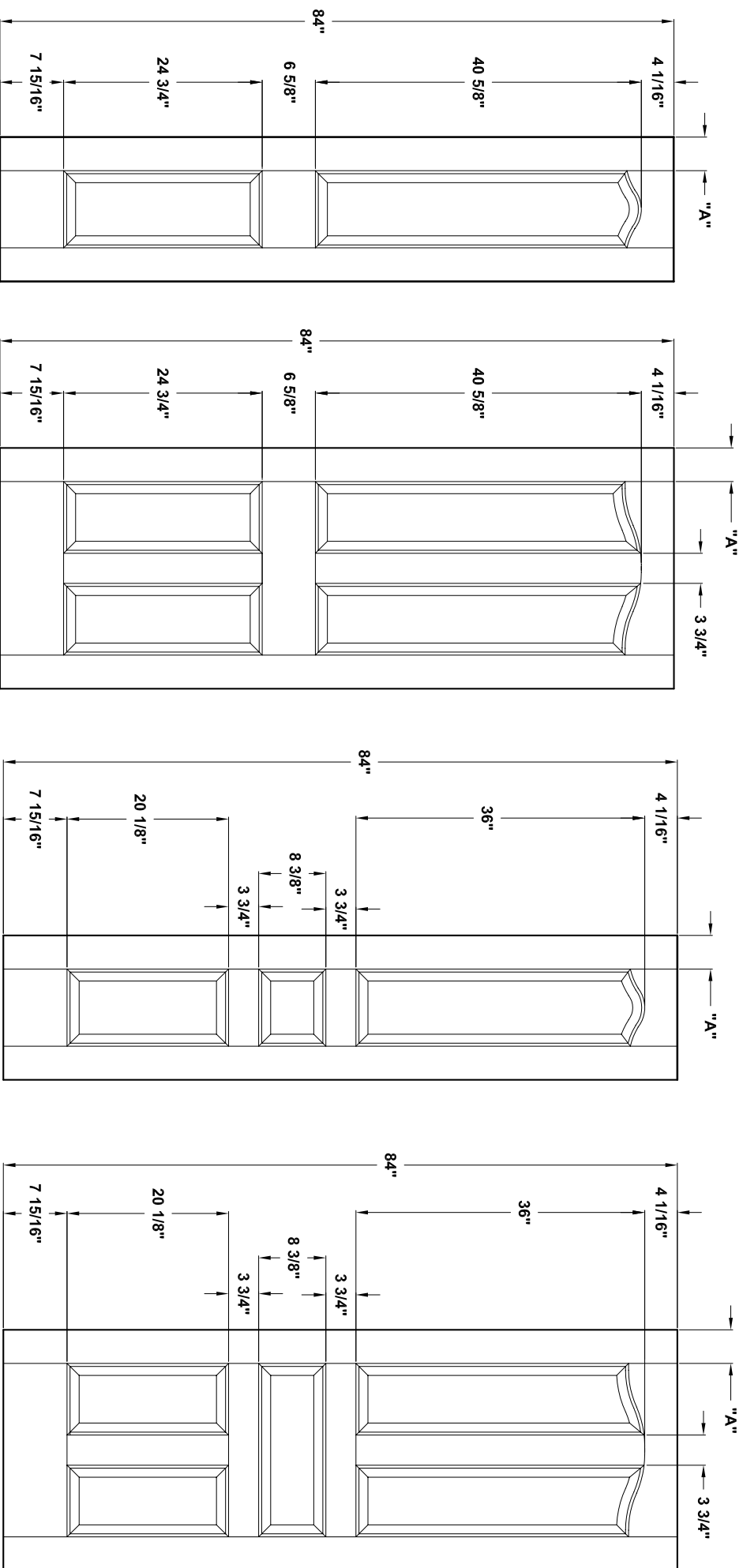
Title **2 - 3 Panel door "Eyebrow"** Height **84"**

Creation date **2004-June-03**
 Prep. by: **J.C.**
 Revision date **2005-02-22**
 Scale **nts**



E84-01

Door width	12" to 16"	18" to 36"
stile width "A"	3 3/16"	4-3/16"



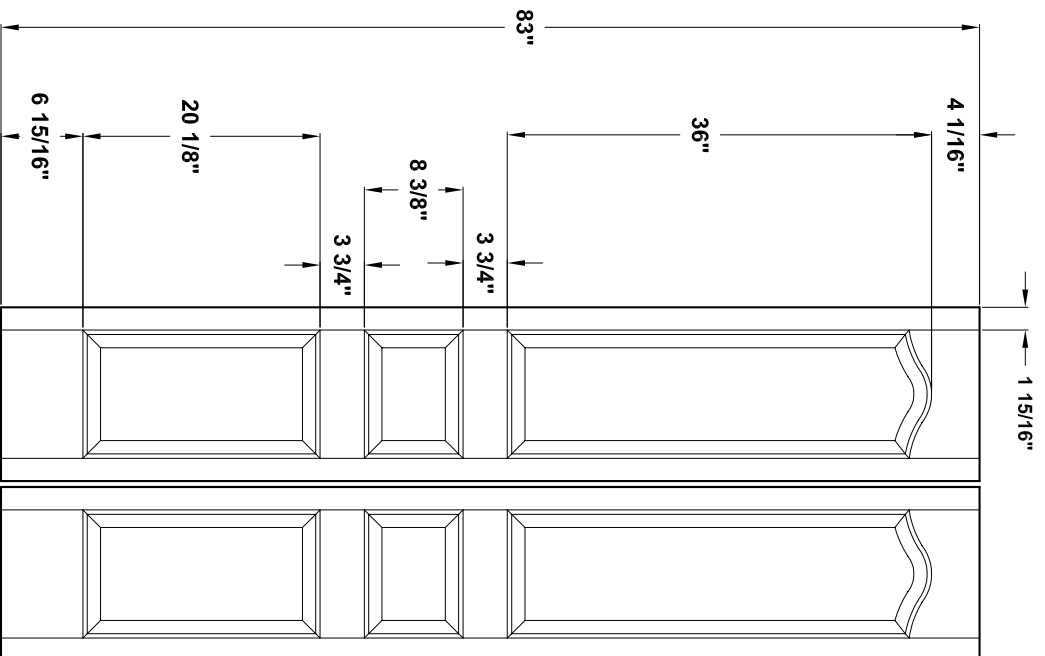
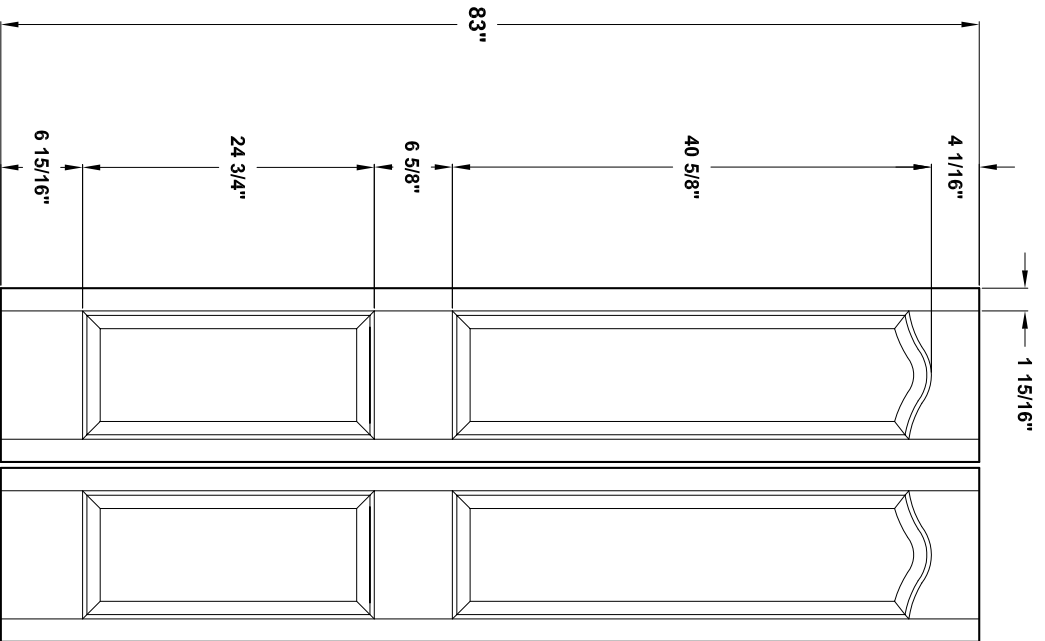
Specification sheet

Title 4 - 5 Panel door "Eyebrow" Height 84"

Creation date 2004-June-03
 Prep. by: J.-P. G.
 Revision date 2005-02-22
 Rev. 1
 Scale nts



E84-02



+ 1 " for hardware
Finished opening required: 84 3/4 "

Specification sheet

Title
 2 - 3 Panel door Bifold "Eyebrow"

Height
84"

Creation date
 2004-June-03

Prep. by: J.C.

Revision date
 2005-02-22

Scale nts

Rev.
 1

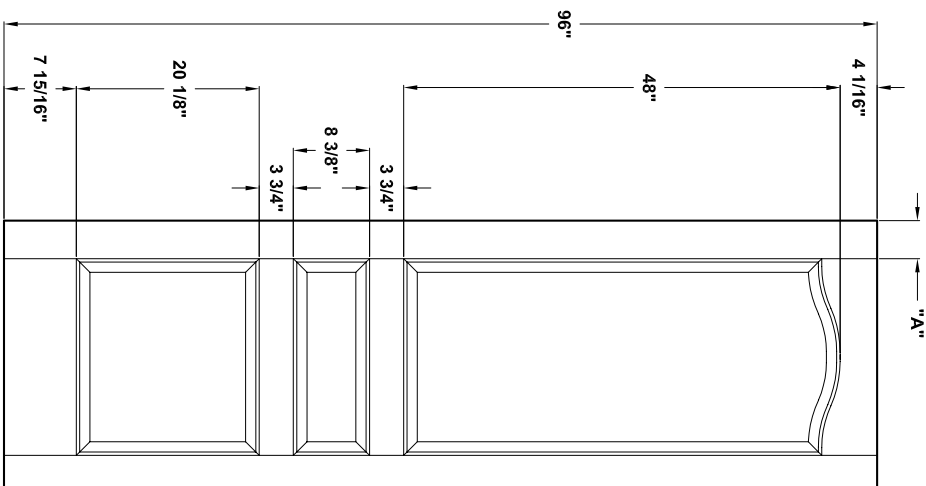
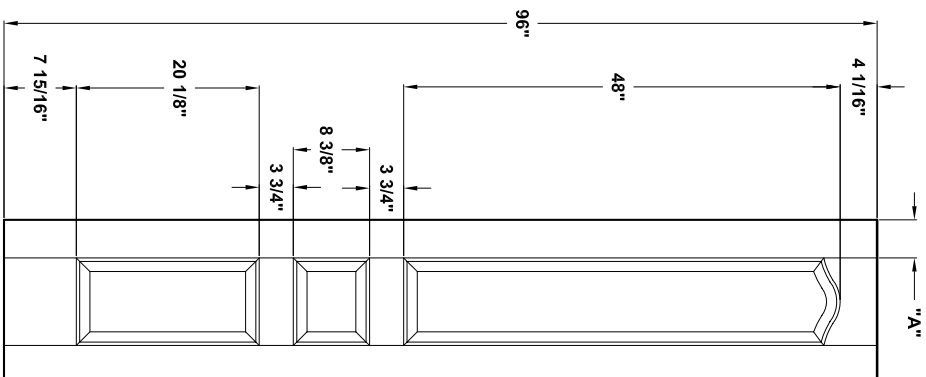
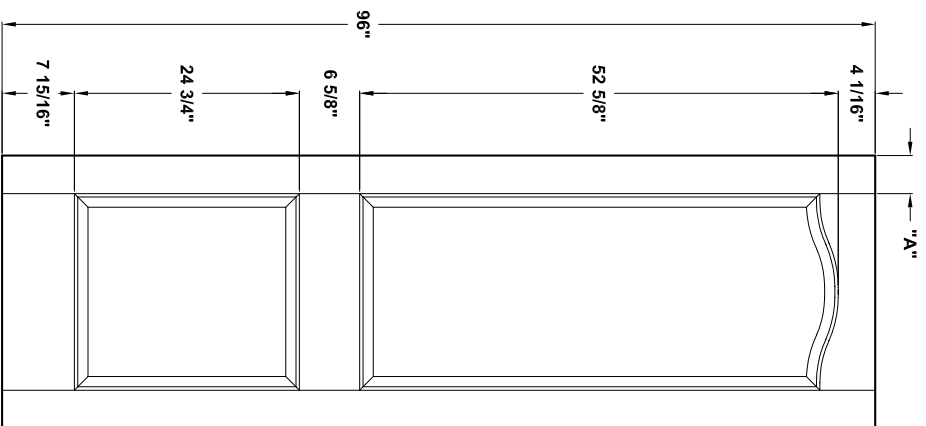
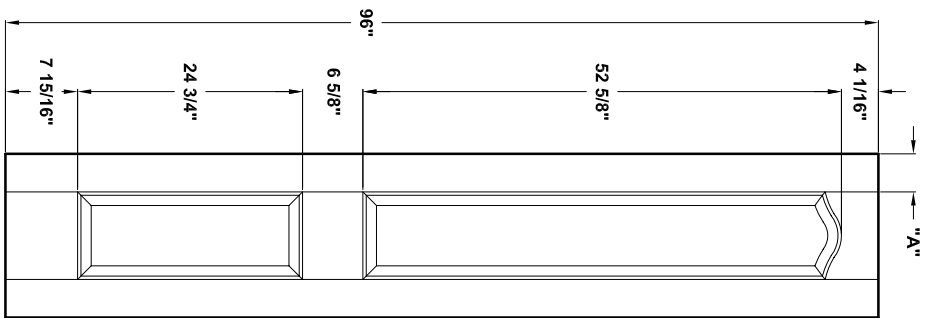


Masonite[®]

Masonite International Corporation

E84-03

Door width	14" to 16"	18" to 36"
stile width "A"	3 3/16"	4-3/16"



Specification sheet

Title 2 - 3 Panel door "Eyebrow"

Height 96"

Creation date 2004-June-03

Prep. by: J.C.

Revision date 2005-02-22

Scale nts

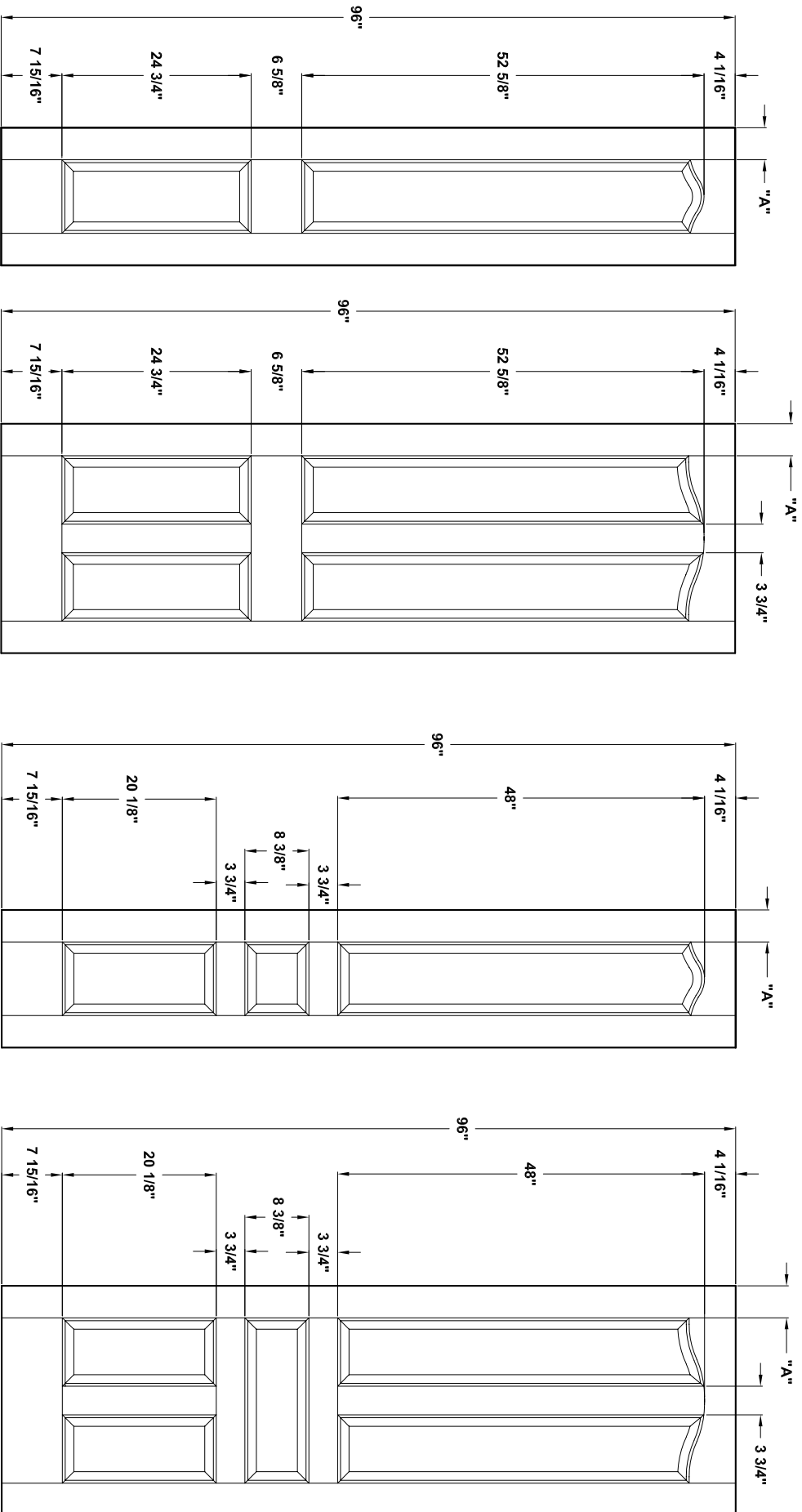
Rev. 1



Masonite International Corporation

E96-01

Door width	14" to 16"	18" to 36"
stile width "A"	3 3/16"	4-3/16"



Specification sheet

Title 4 - 5 Panel door "Eyebrow" Height 96"

Creation date 2004-June-03

Prep. by: J.C.

Revision date 2005-02-22

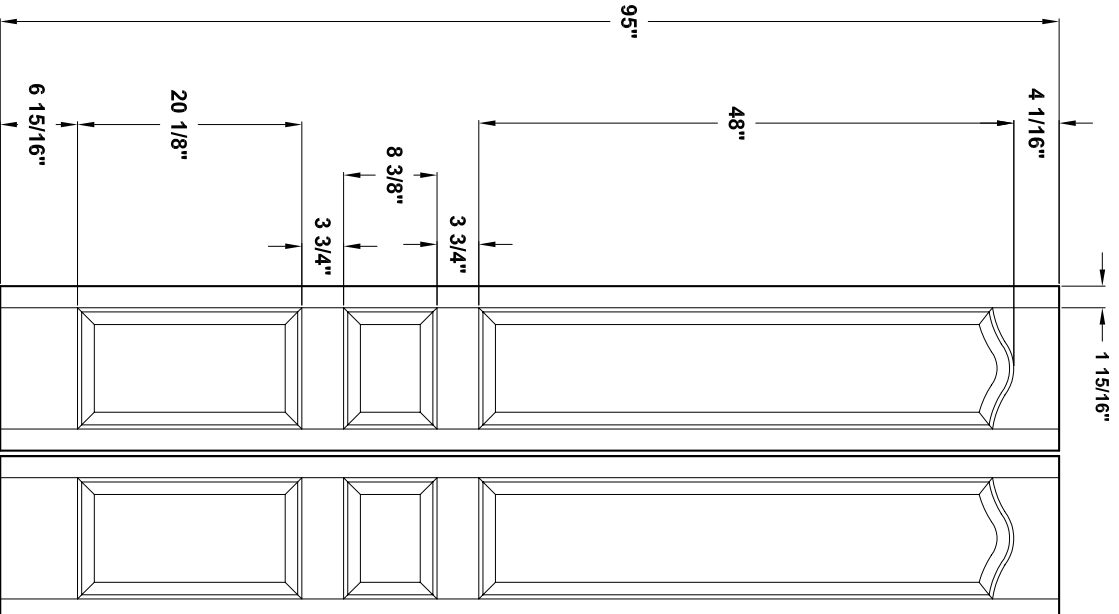
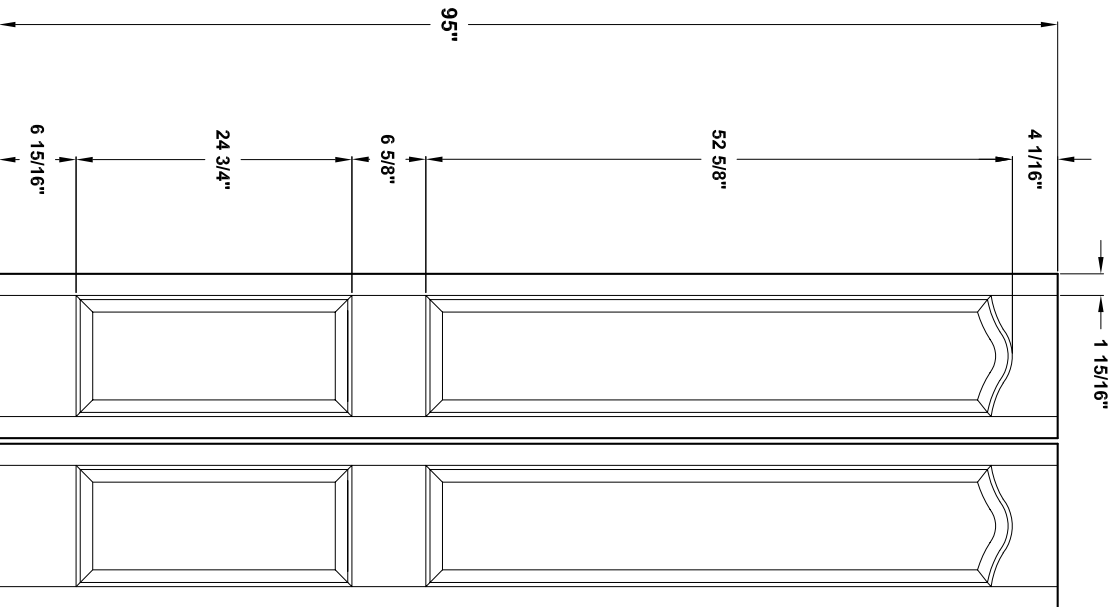
Scale nts

Rev. 1



Masonite International Corporation

E96-02



+ 1 " for hardware
 Finished opening required: 96 3/4 "

Specification sheet

Title
 2 - 3 Panel door Bifold "Eyebrow"

Height
96"

Creation date
 2004-June-03

Prep. by: J.C.

Revision date
 2005-02-22

Scale nts

Rev.
 1



E96-03