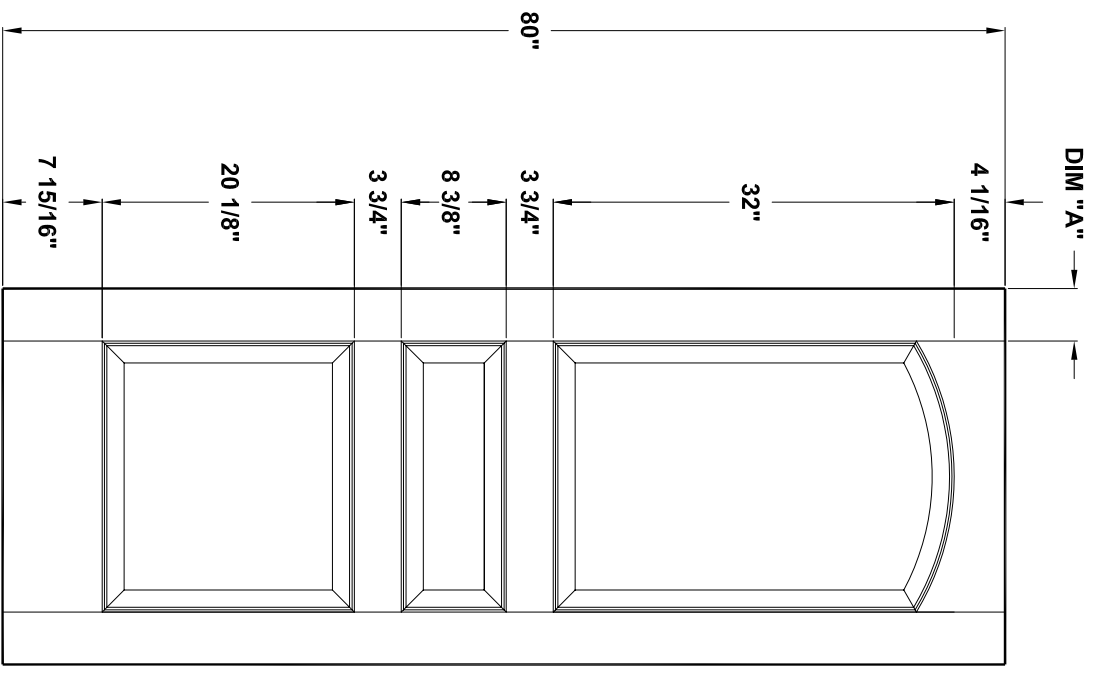
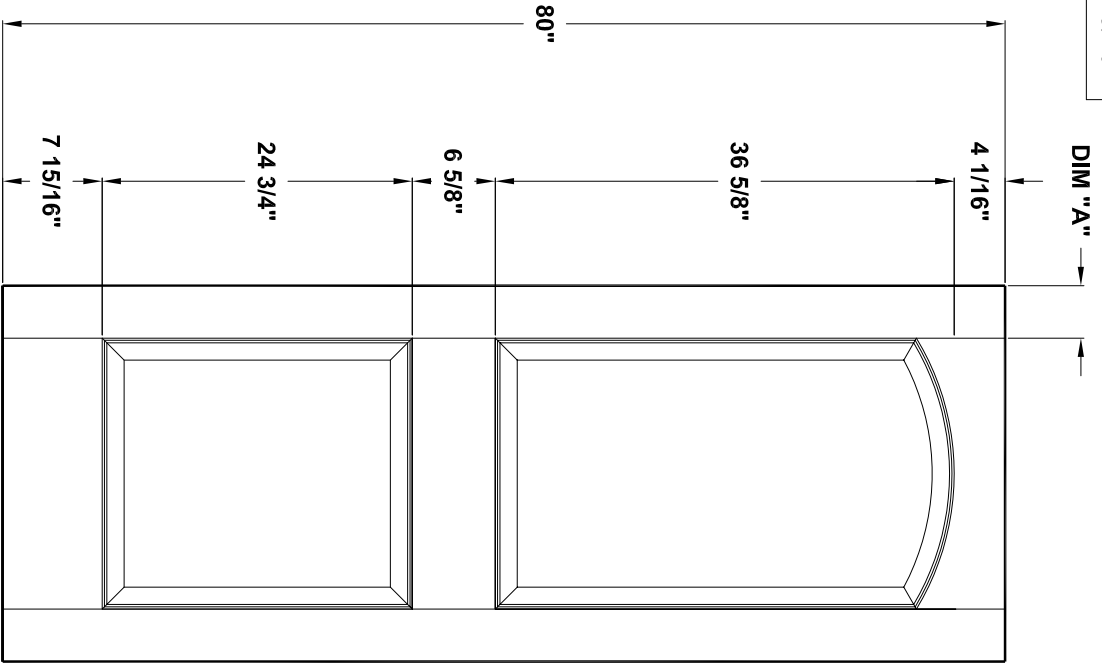


Door width	12" to 16"	18" to 36"
stile width "A"	3-3/16"	4-3/16"



Specification sheet

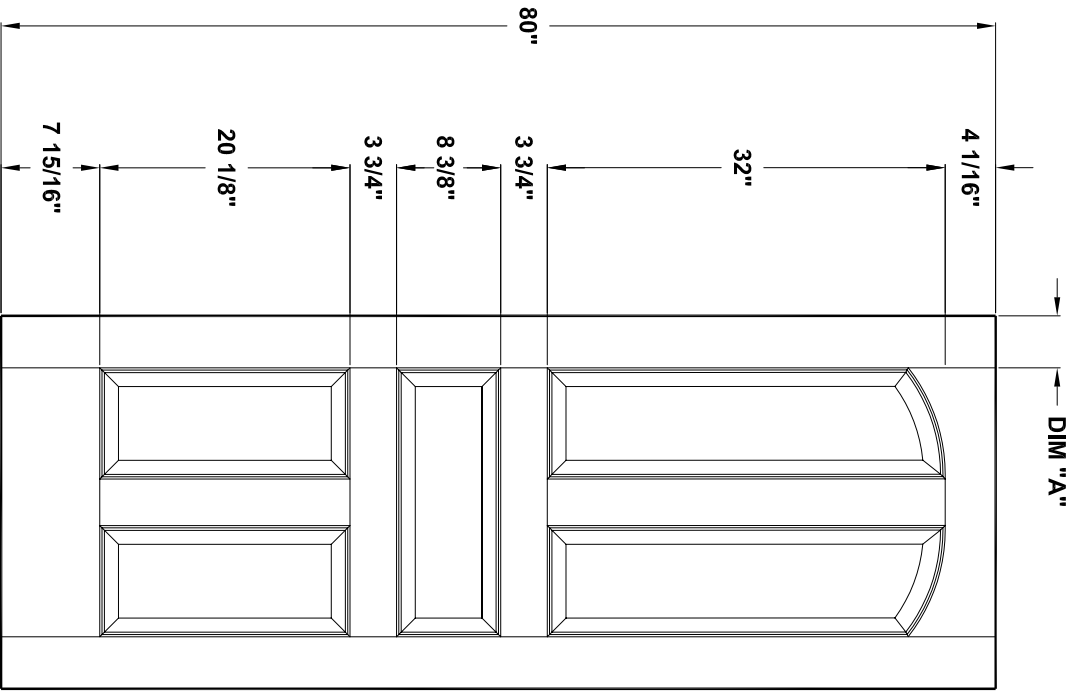
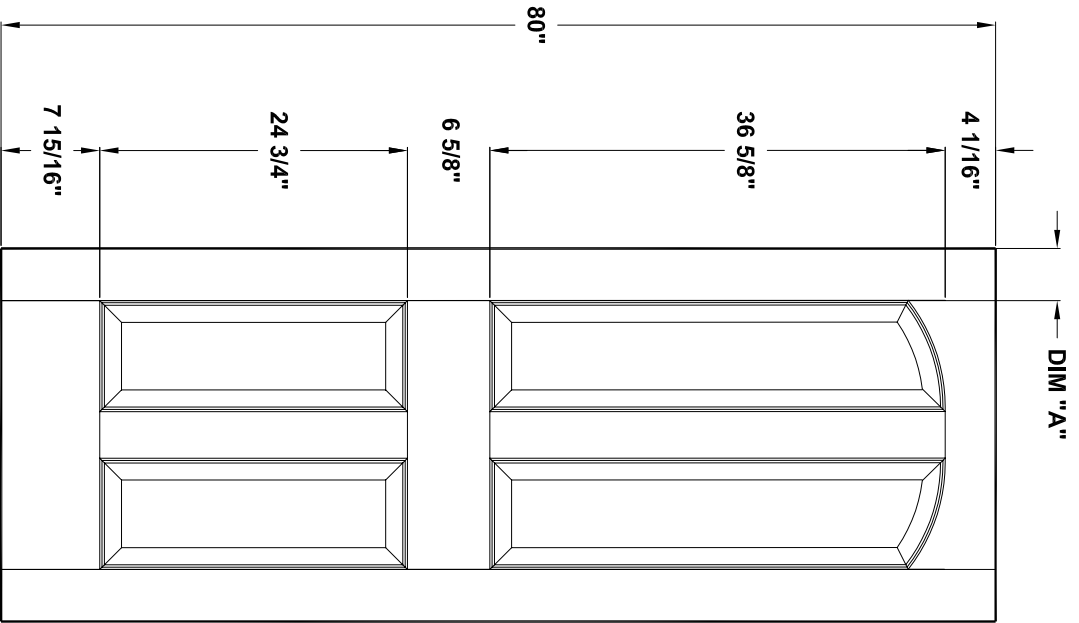
Title 2-3 Panel Arch Height 80"

Creation date	2004-June-03
Prep. by:	J.C.
Revision date	-
Rev.	0
Scale	nts



F80-01

Door width	24" to 36"
Stile width "A"	4-3/16"



Specification sheet

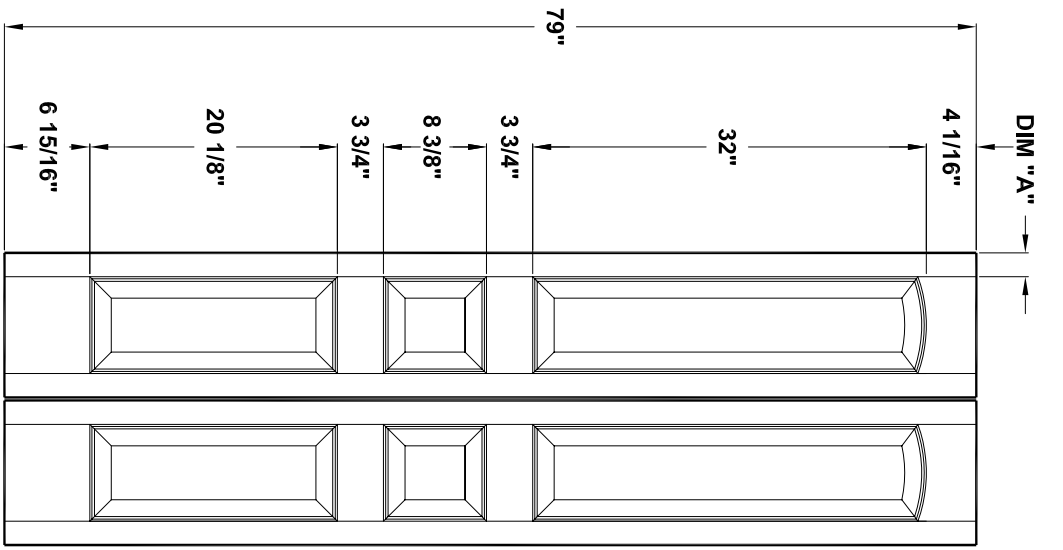
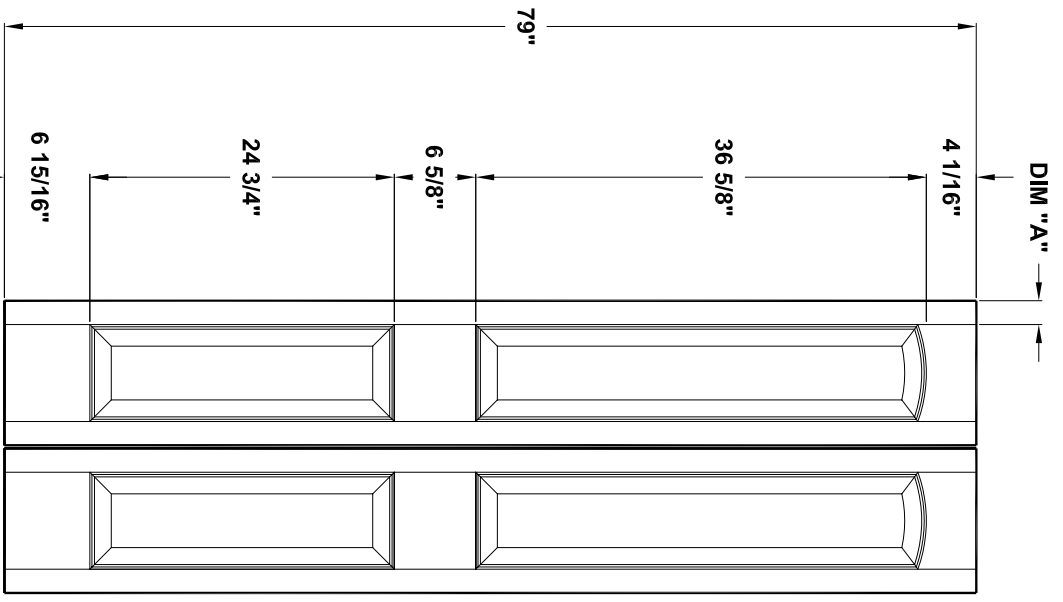
Title: 4-5 Panel Arch
 Height: 80"

Creation date: 2004-June-03
 Prep. by: J.C.
 Revision date: 2005-march-31
 Scale: nts
 Rev. 1



F80-02

Door width	24" to 36"
stile width "A"	1-15/16"



+ 1 " for hardware
 Finished opening required: 80 3/4 "

Specification sheet

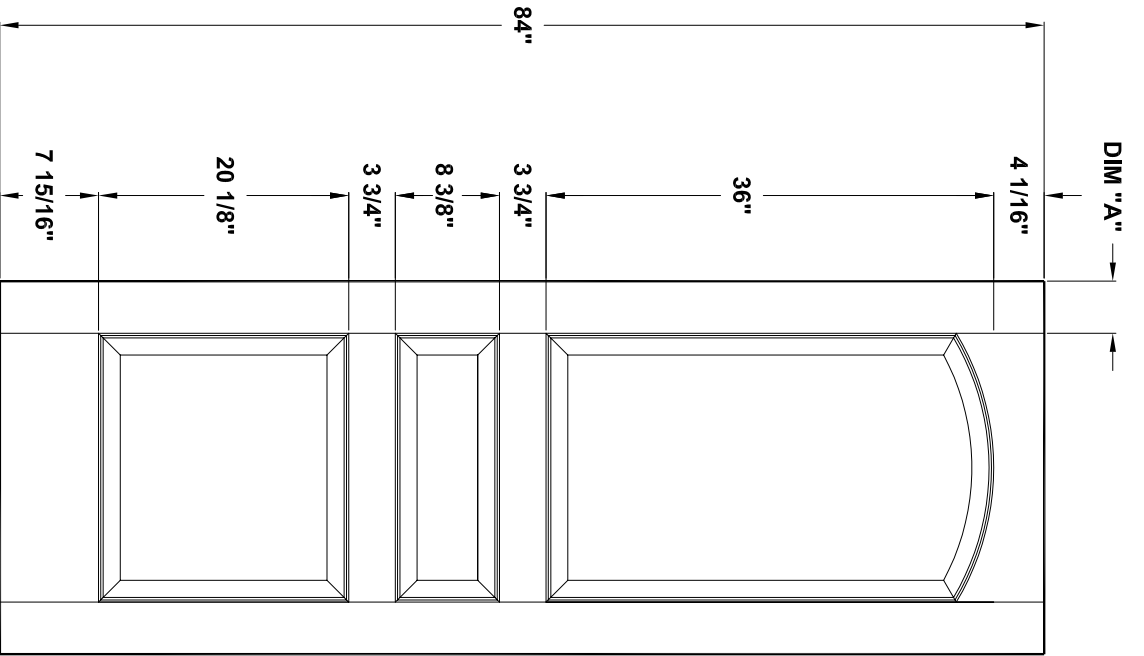
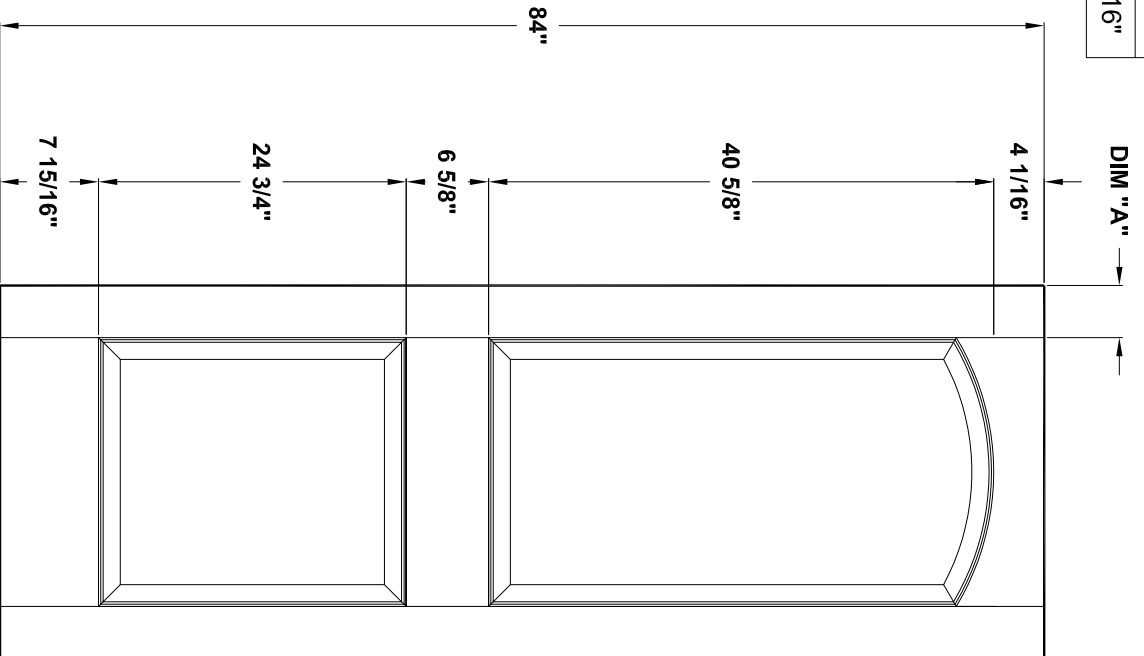
Title	2-3 Panel bifold Arch	Height	80"
-------	-----------------------	--------	-----

Creation date	2004-June-03
Prep. by:	J.C.
Revision date	-
Rev.	0
Scale	nts

Masonite International Corporation

F80-03

Door width	12" to 16"	18" to 36"
Stile width "A"	3-3/16"	4-3/16"



Specification sheet

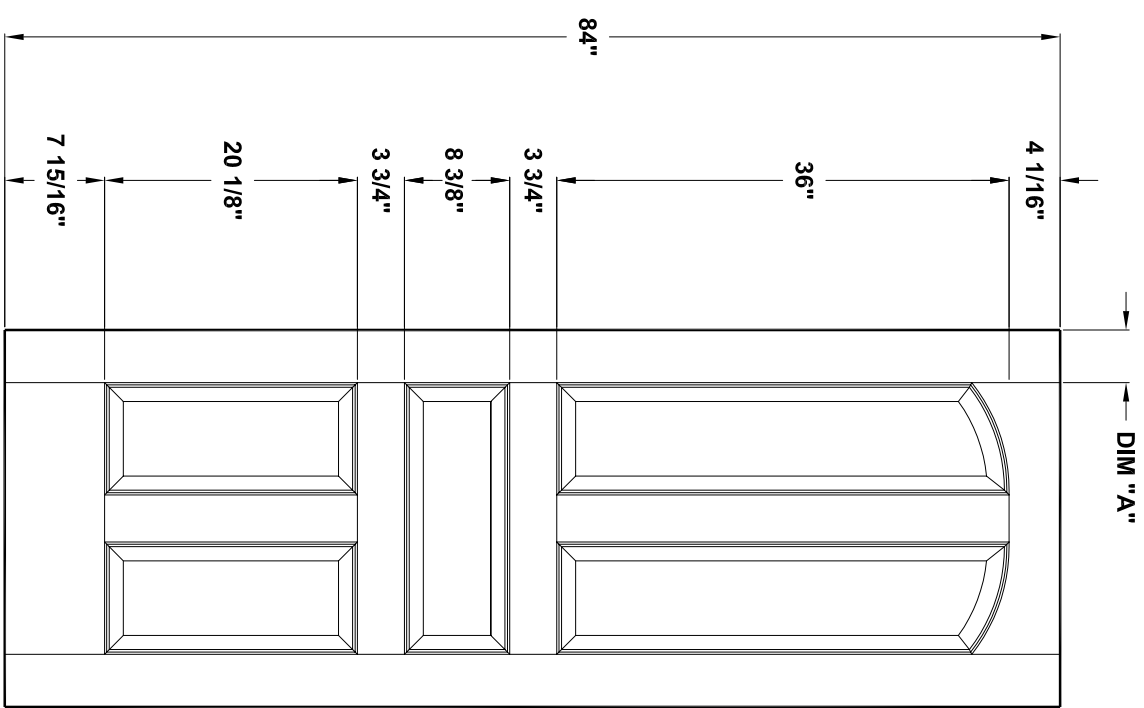
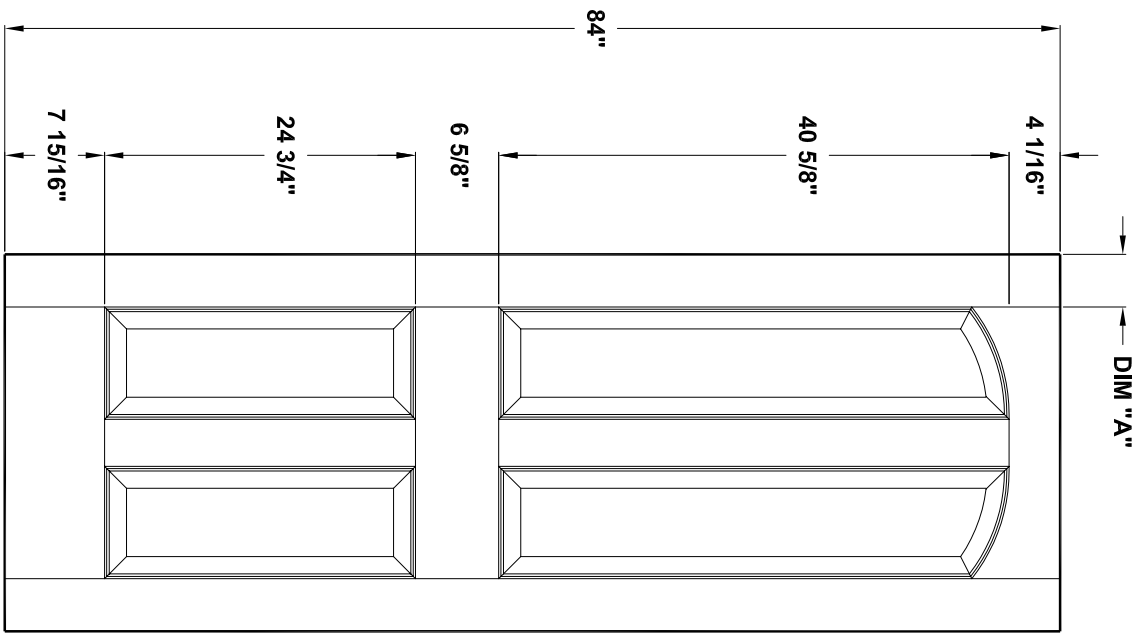
Title 2-3 Panel Arch Height 84"

Creation date 2004-June-03
 Prep. by: J.C.
 Revision date -
 Rev. 0
 Scale nts



F84-01

Door width	24" to 36"
Stile width "A"	4-3/16"



Specification sheet

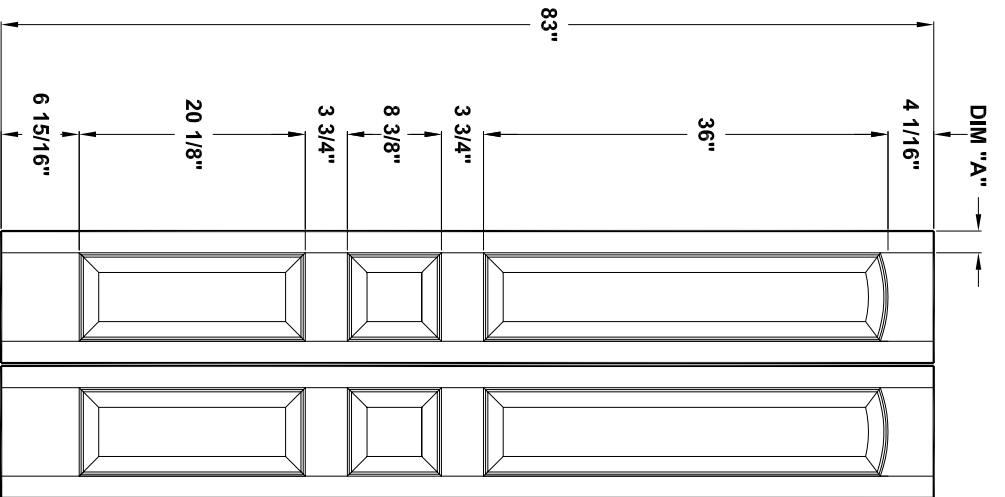
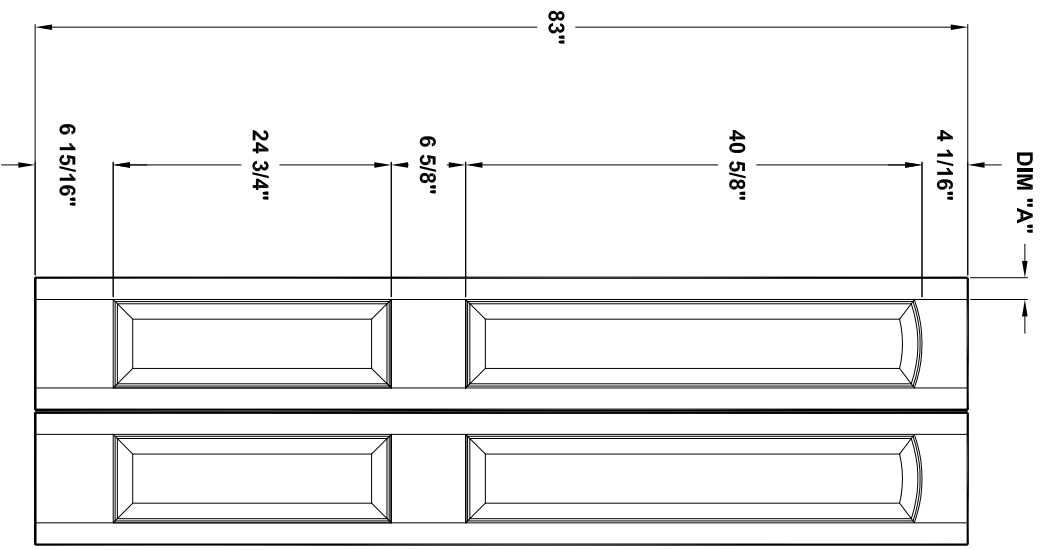
Title 4-5 Panel Arch Height 84"

Creation date	2004-June-03	
Prep. by:	J.C.	
Revision date	2005-march-31	Rev. 1
Scale	nts	



F84-02

Door width	24" to 36"
stile width "A"	1-15/16"



+ 1 " for hardware
 Finished opening required: 84 3/4 "

Specification sheet

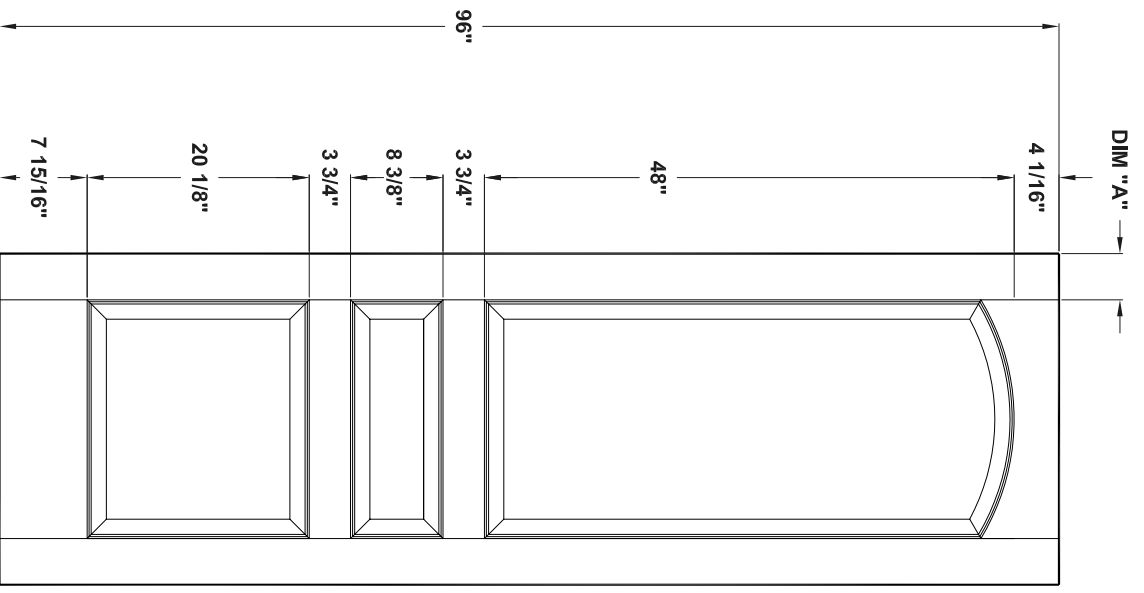
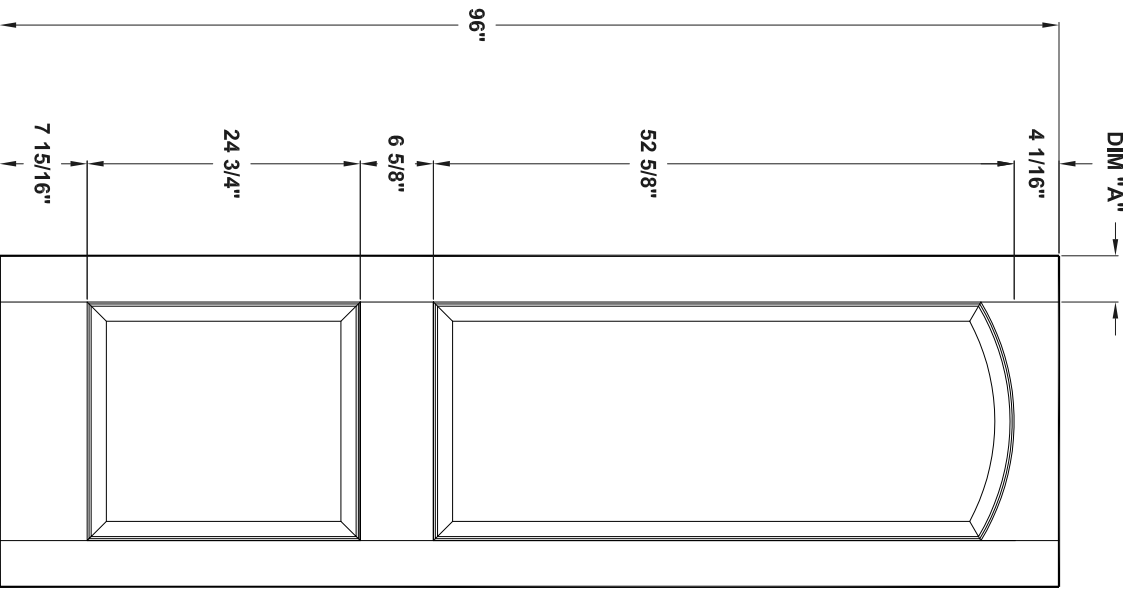
Title	2-3 Panel Bifold Arch	Height	84"
-------	-----------------------	--------	-----

Creation date	2004-June-03
Prep. by:	J.C.
Revision date	-
Rev.	0
Scale	nts

Masonite International Corporation

F84-03

Door width	12" to 16"	18" to 36"
Stile width "A"	3-3/16"	4-3/16"



Specification sheet

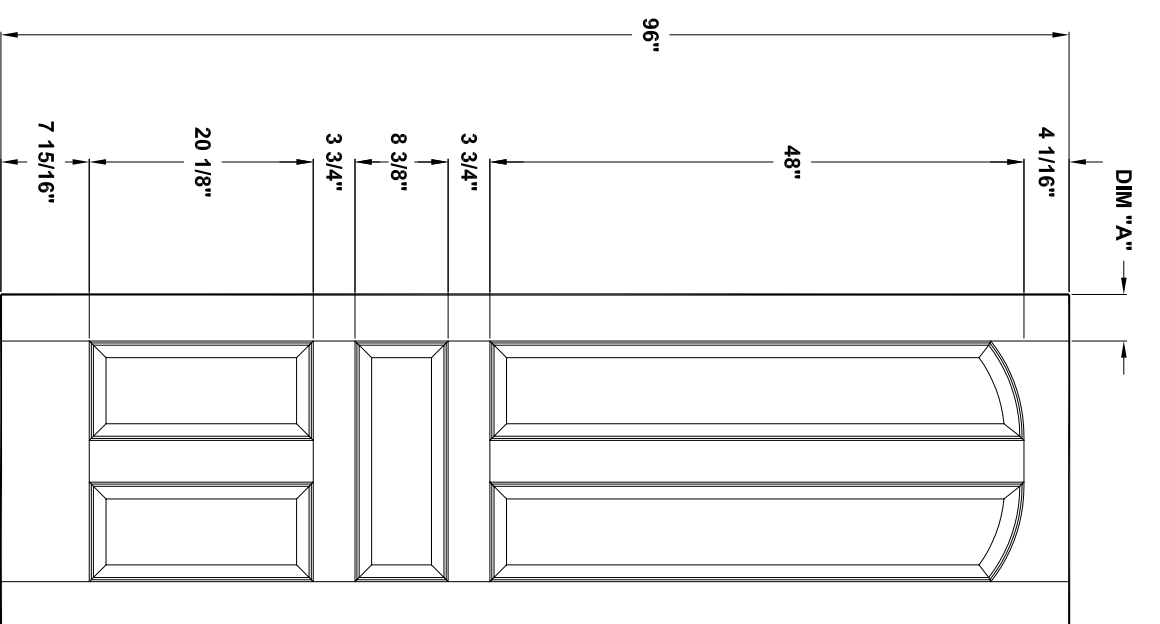
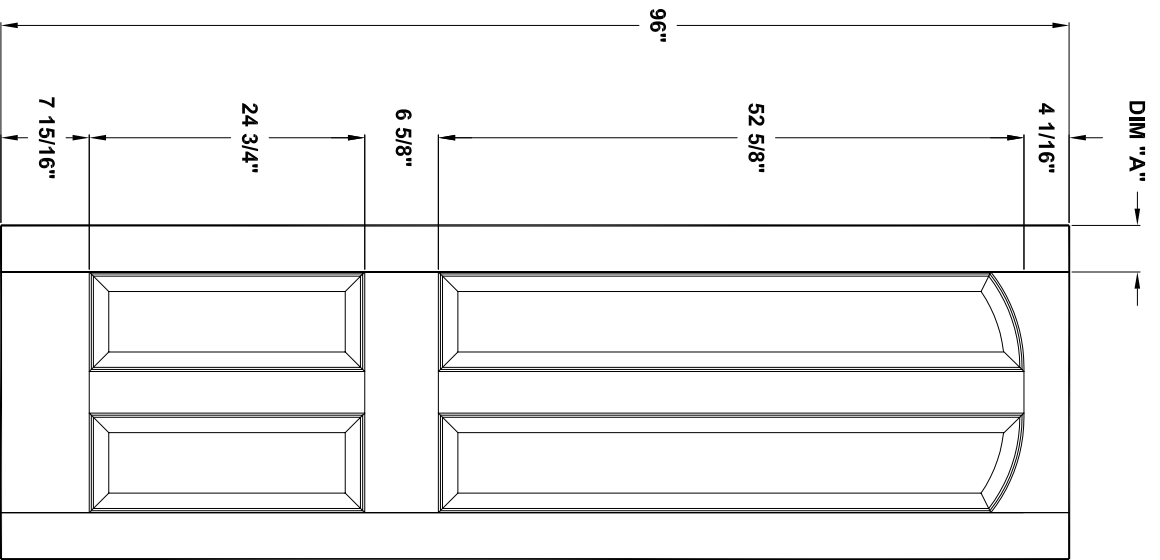
Title 2-3 Panel Arch Height 96"

Creation date 2004-June-03
 Prep. by: J.C.
 Revision date -
 Rev. 0
 Scale nts



F96-01

Door width	24" to 36"
Stile width "A"	4-3/16"



Specification sheet

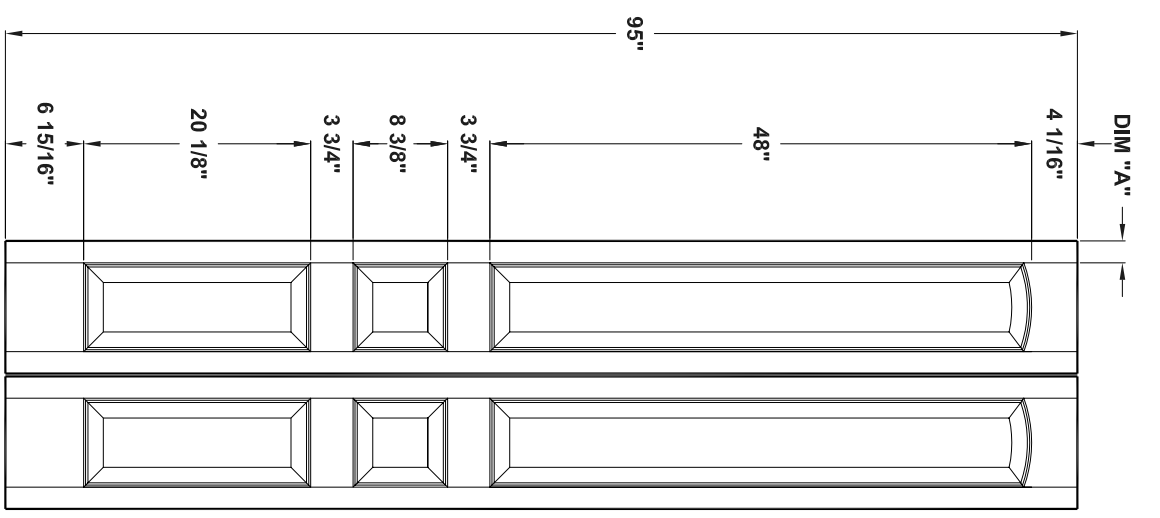
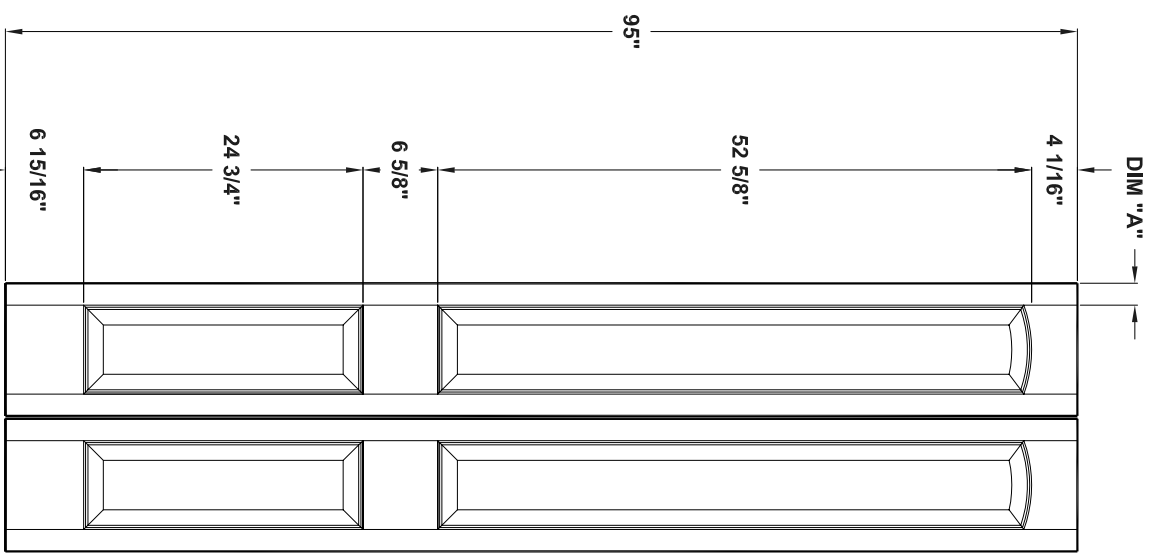
Title: 4-5 Panel Arch
 Height: 96"

Creation date	2004-June-03
Prep. by:	J.C.
Revision date	2005-march-31
Rev.	1
Scale	nts



F96-02

Door width	24" to 36"
stile width "A"	1-15/16"



+ 1 " for hardware
 Finished opening required: 96 3/4 "

Specification sheet

Title	2-3 Panel Bifold Arch	Height	96"
-------	-----------------------	--------	-----

Creation date	2004-June-03
Prep. by:	J.C.
Revision date	-
Rev.	0
Scale	nts



F96-03