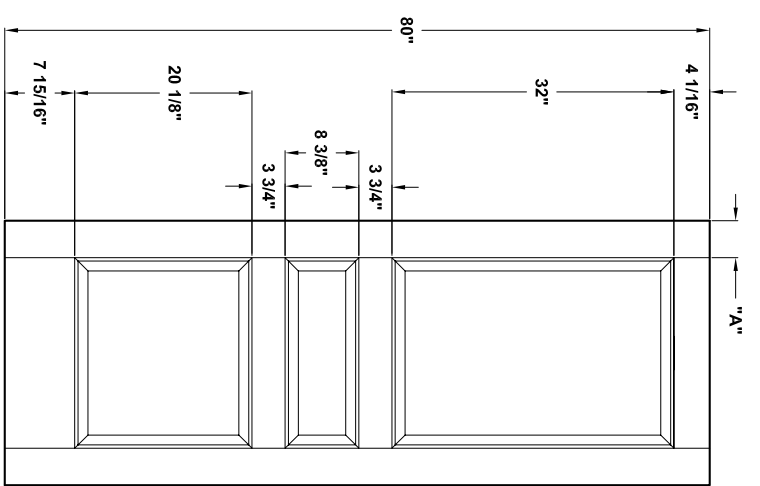
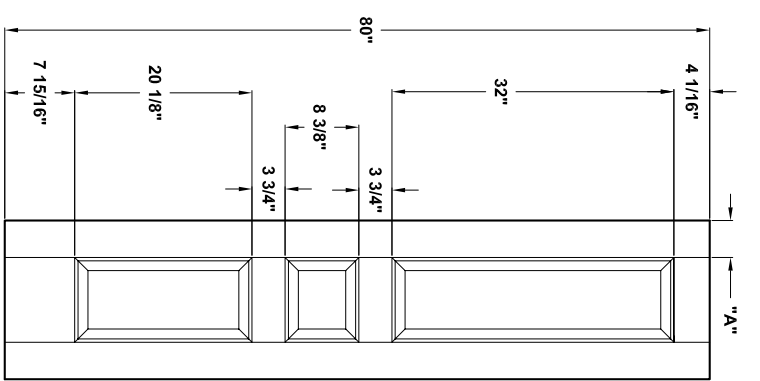
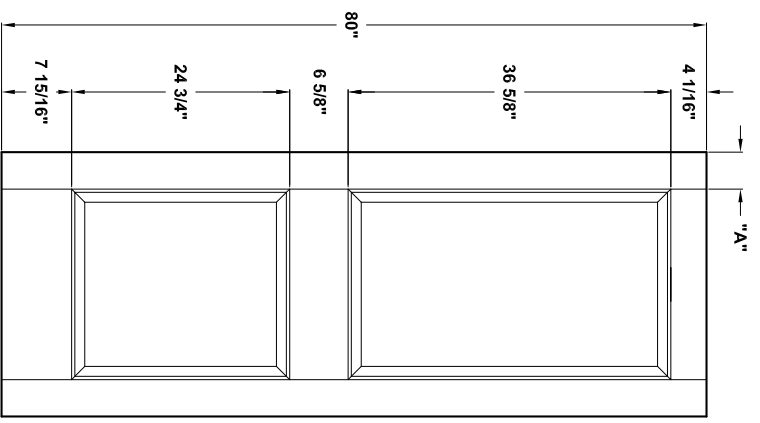
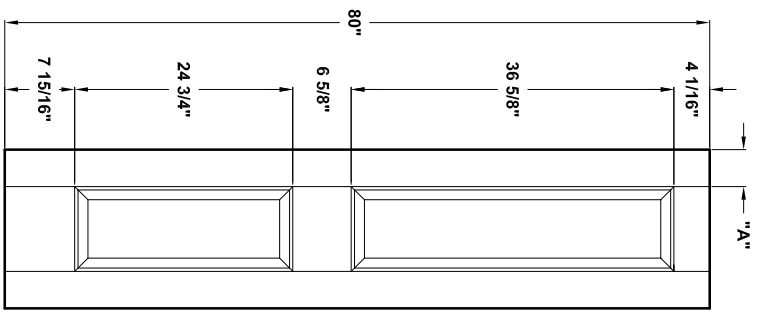


Door width	12" to 16"	18" to 36"
stile width "A"	3 3/16"	4-3/16"



Specification sheet

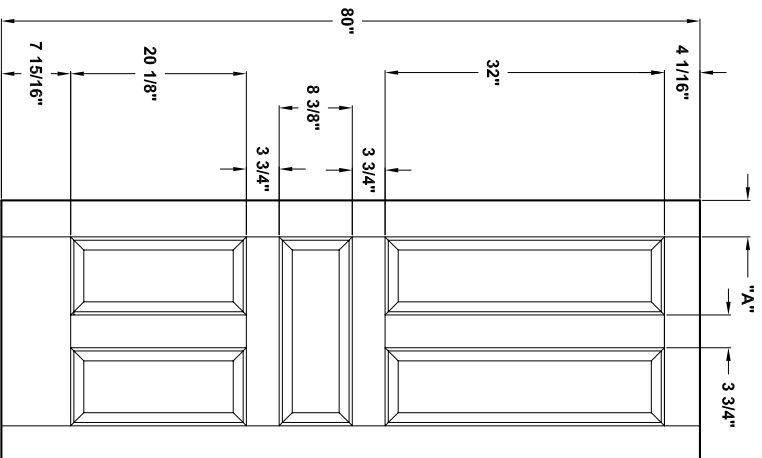
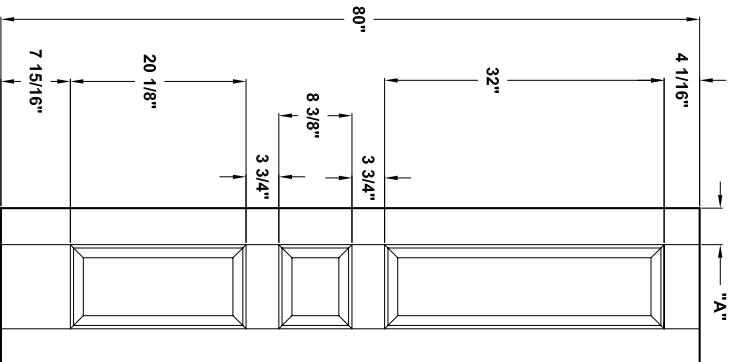
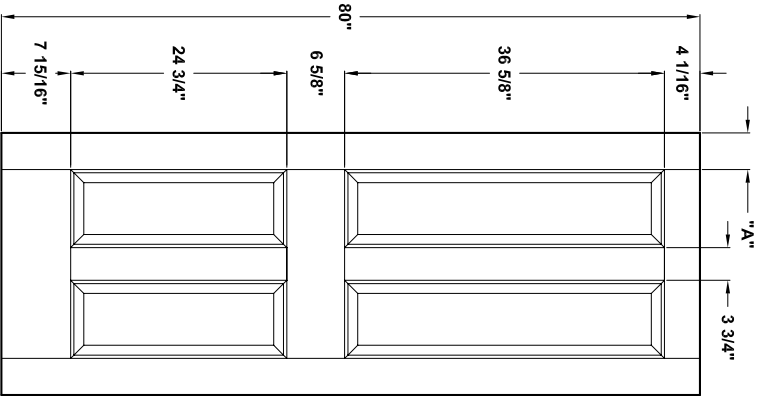
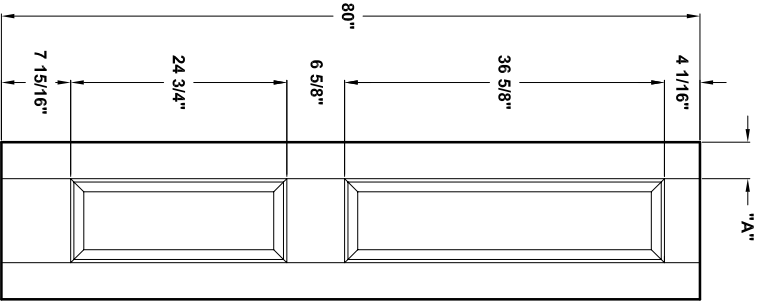
Title **2 - 3 Panel door** Height **80"**

Creation date **2004-June-03**
 Prep. by: J.C.
 Revision date **2005-02-22** Rev. **1**
 Scale nts



D80-01

Door width	12" to 16"	18" to 36"
Stile width "A"	3 3/16"	4-3/16"



Specification sheet

Title 4 - 5 Panel door

Height 80"

Creation date 2004-June-03

Prep. by: J.C.

Revision date 2005-02-22

Rev. 1

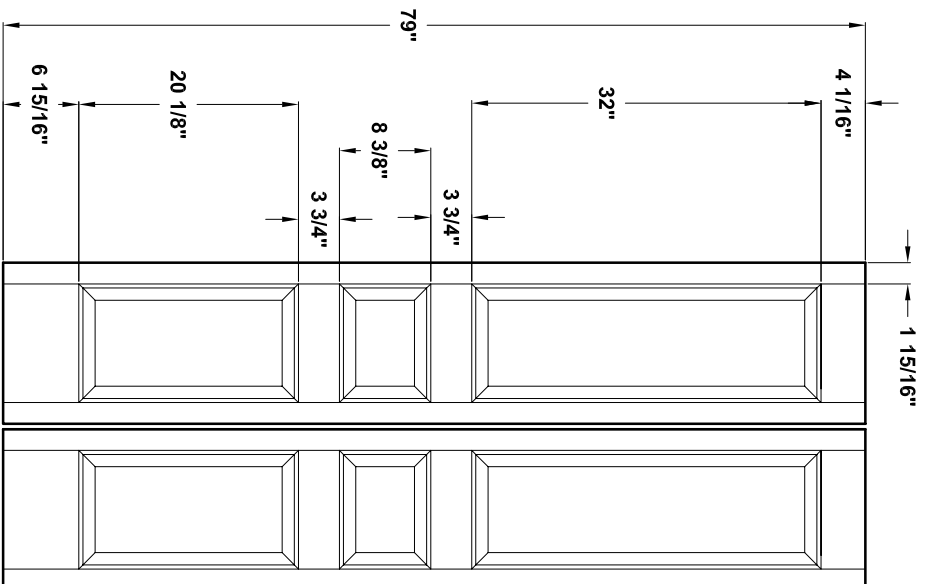
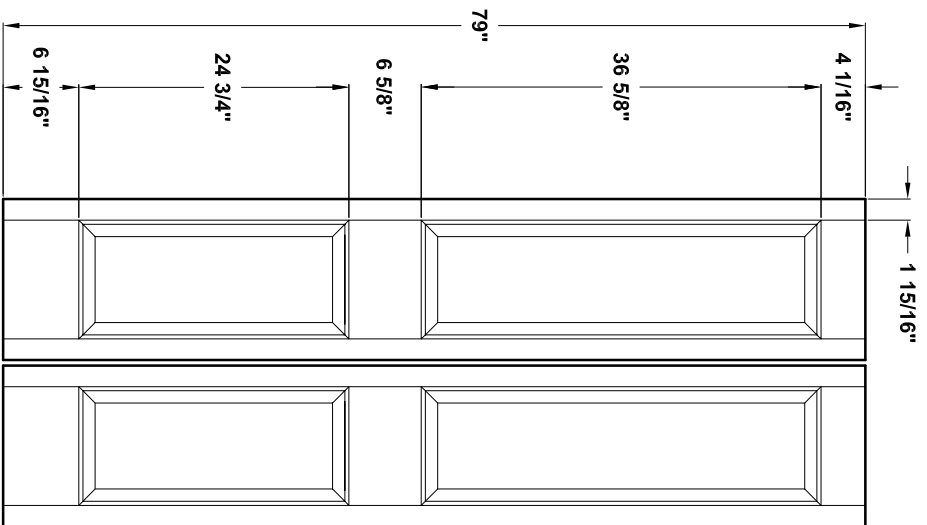
Scale nts



Masonite®

Masonite International Corporation

D80-02



+ 1 " for hardware
 Finished opening required: 80 3/4 "

Specification sheet

Title	2-3 Panel door Bifold	Height	80"
-------	-----------------------	--------	-----

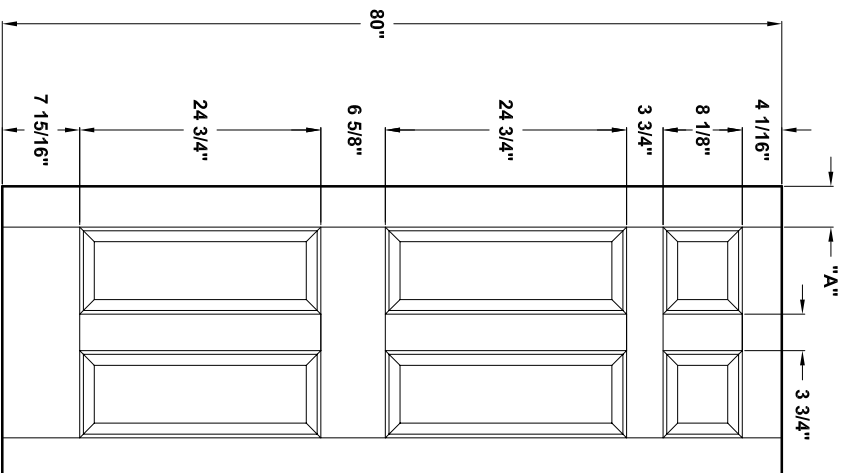
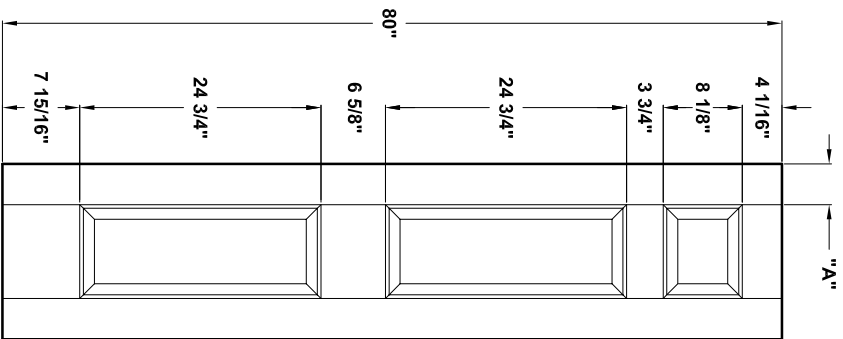
Creation date	2004-June-03
Prep. by:	J.C
Revision date	2005-02-22
Scale	nts
Rev.	1



Masonite
 Masonite International Corporation

D80-03

Door width	12" to 16"	18" to 36"
stile width "A"	3 3/16"	4-3/16"



Specification sheet

Title
6 Panel door

Height
80"

Creation date
2004-June-03

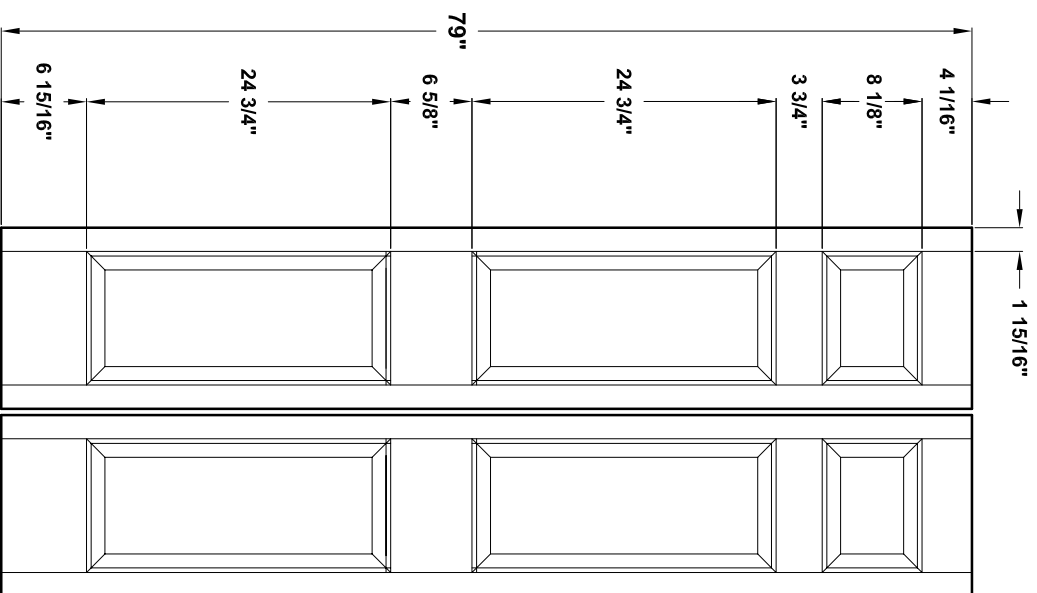
Prep. by: J.C

Revision date
2005-02-22

Rev.
1

Scale nts

D80-04



+ 1 " for hardware
 Finished opening required: 80 3/4 "

Specification sheet

Title
 6 Panel door Bifold

Height
 80"

Creation date
 2004-June-03

Prep. by: J.C

Revision date

Rev.
 0

Scale nts

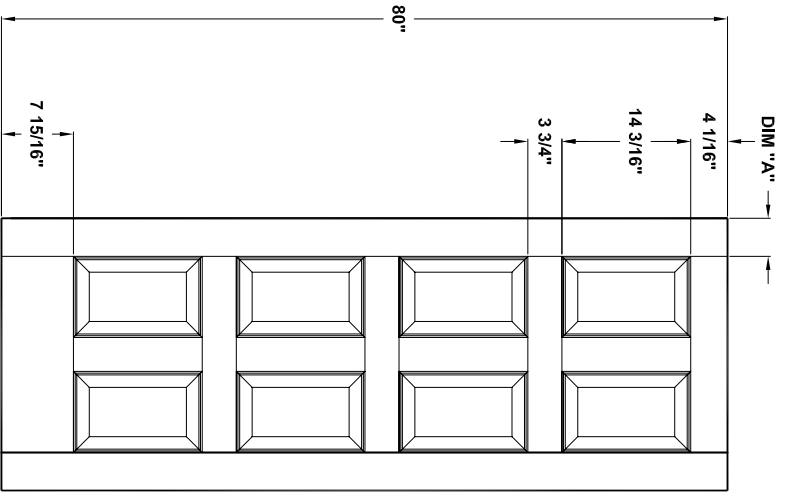
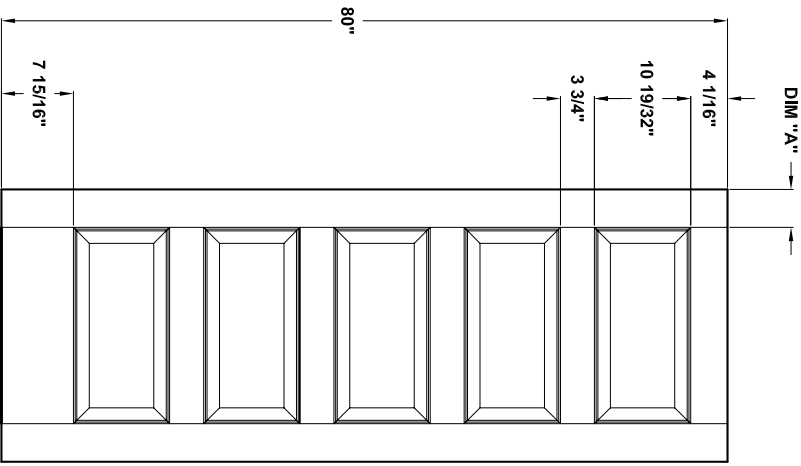
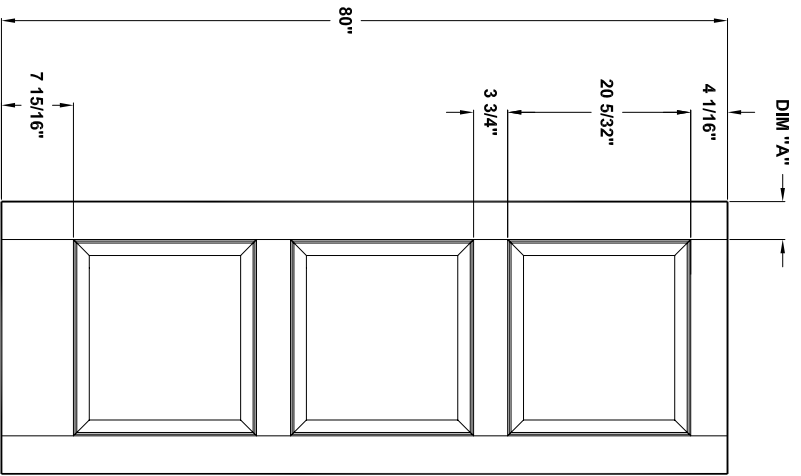


Masonite[®]

Masonite International Corporation

D80-05

Door width	12" to 16"	18" to 36"
Stile width "A"	3-3/16"	4-3/16"



Specification sheet

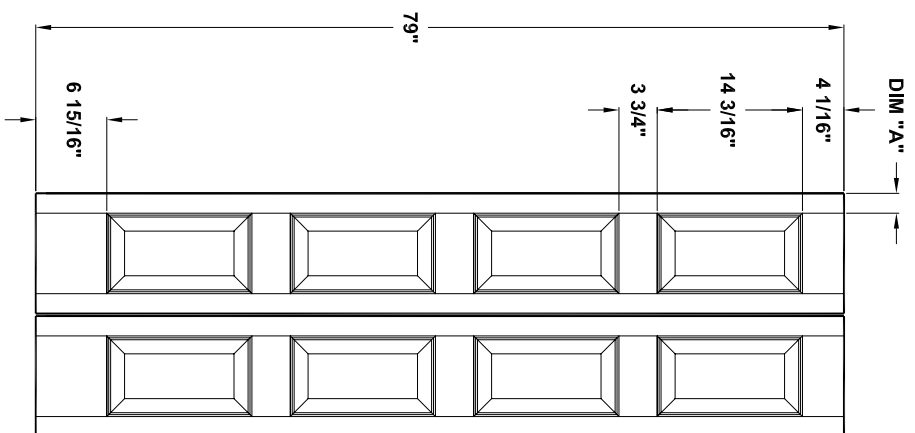
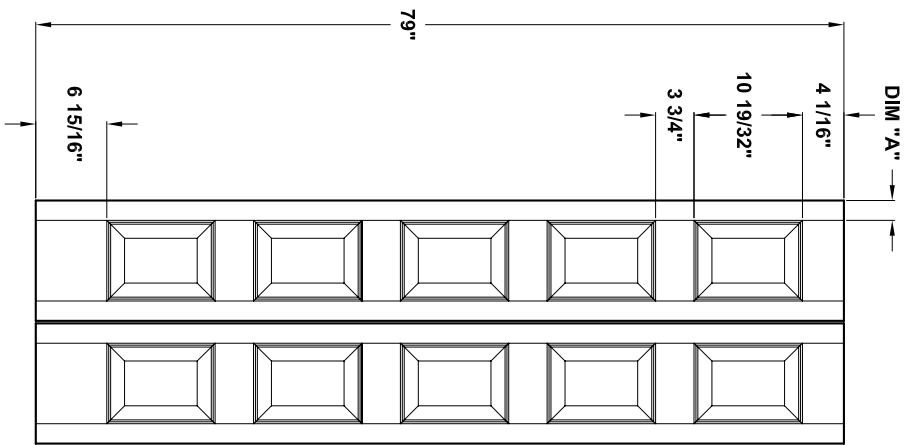
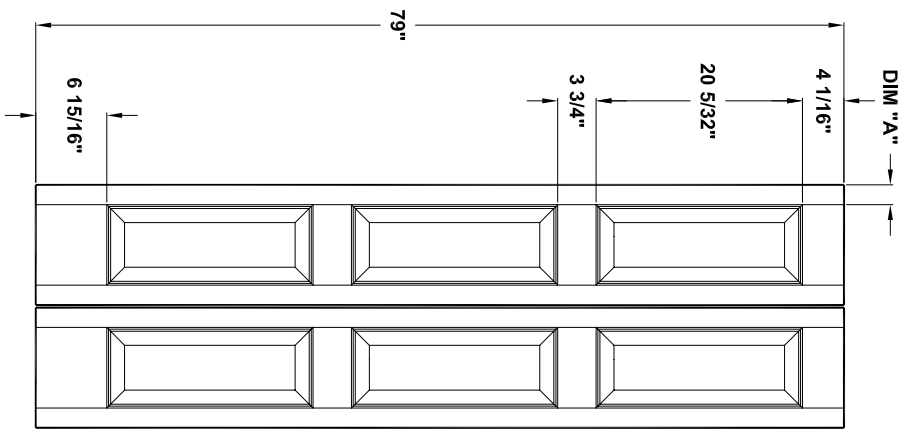
Title 3-5-8 Panel Equal Height 80"

Creation date 2004-June-03
 Prep. by: J.C.
 Revision date - Rev. 0
 Scale nts



D80-06

Door width	24" to 36"
stile width "A"	1-15/16"



+ 1 " for hardware
 Finished opening required: 80 3/4 "

Specification sheet

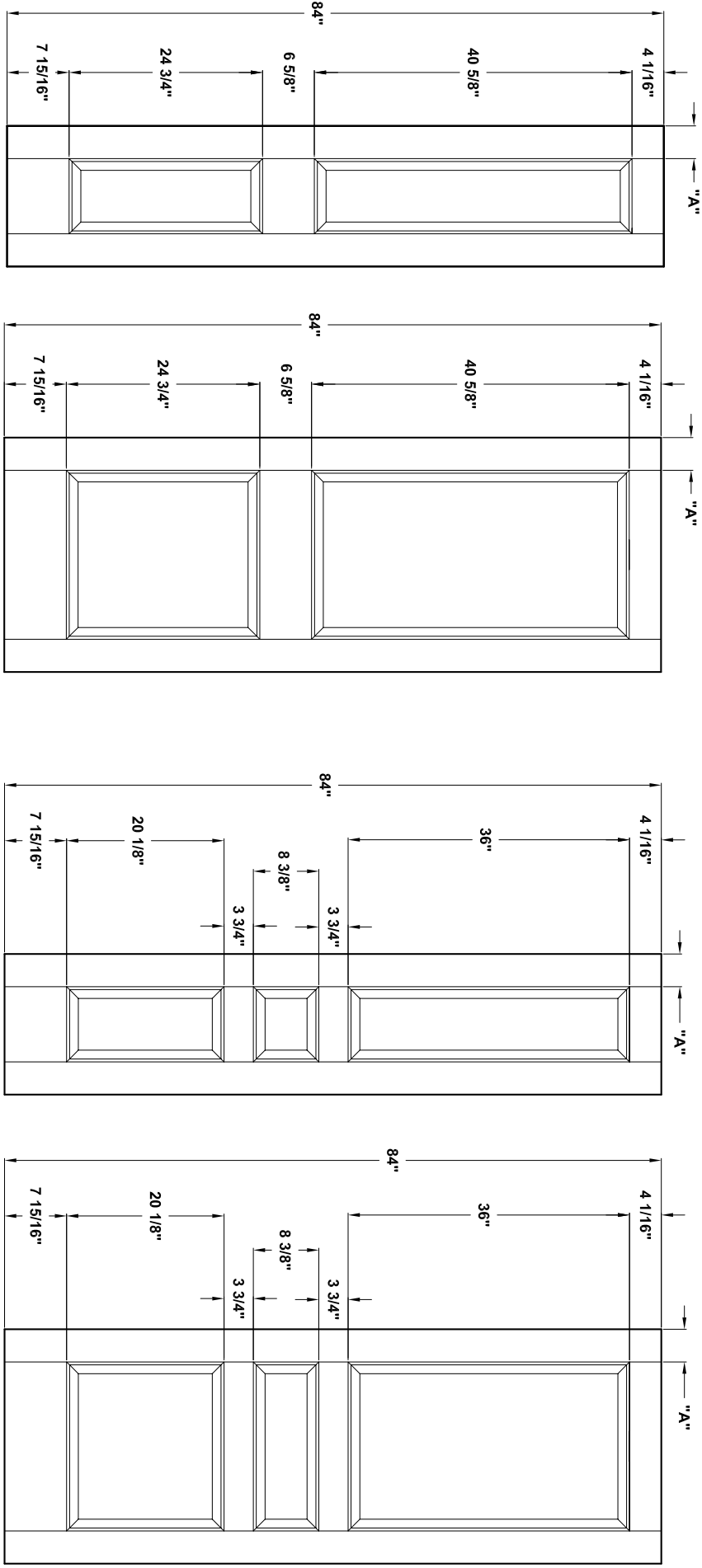
Title	3-5-8 Panel Equal Bifold	Height	80"
-------	--------------------------	--------	-----

Creation date	2004-June-03
Prep. by:	J.C.
Revision date	-
Rev.	0
Scale	nts



D80-07

Door width	12" to 16"	18" to 36"
stile width "A"	3 3/16"	4-3/16"



Specification sheet

Title	2 - 3 Panel door	Height	84"
-------	------------------	--------	-----

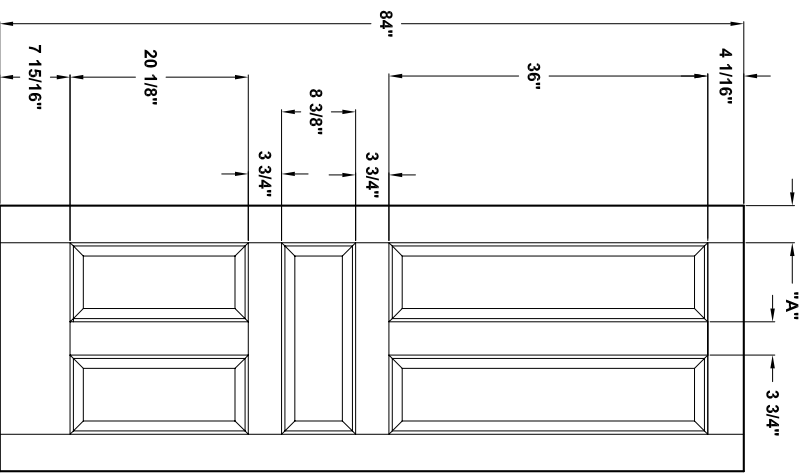
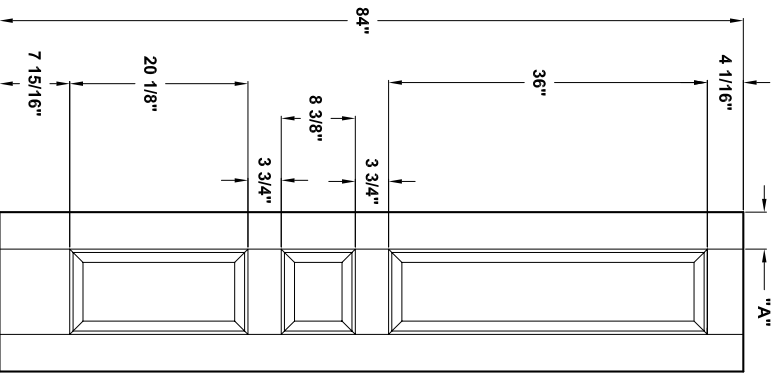
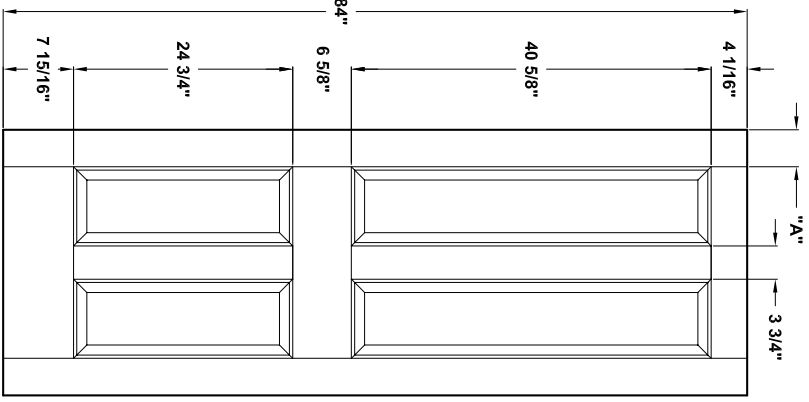
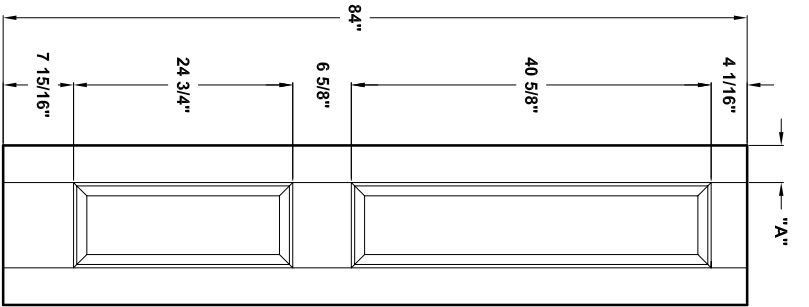
Creation date	2004-June-03
Prep. by:	J.C.
Revision date	2005-02-22
Scale	nts
Rev.	1



Masonite
Masonite International Corporation

D84-01

Door width	12" to 16"	18" to 36"
stile width "A"	3 3/16"	4-3/16"



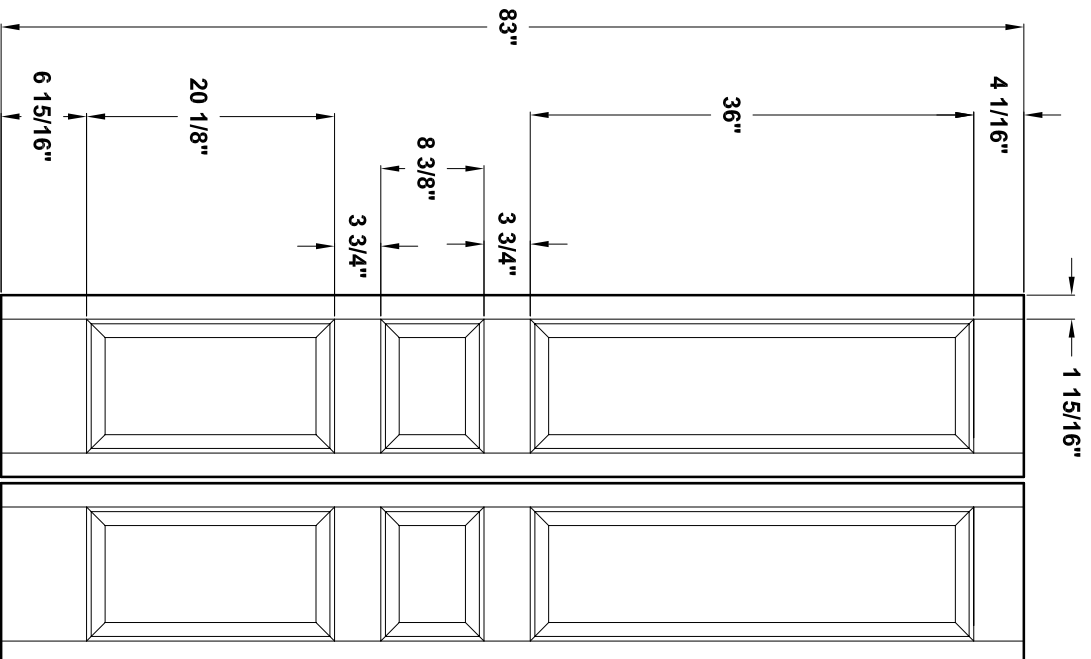
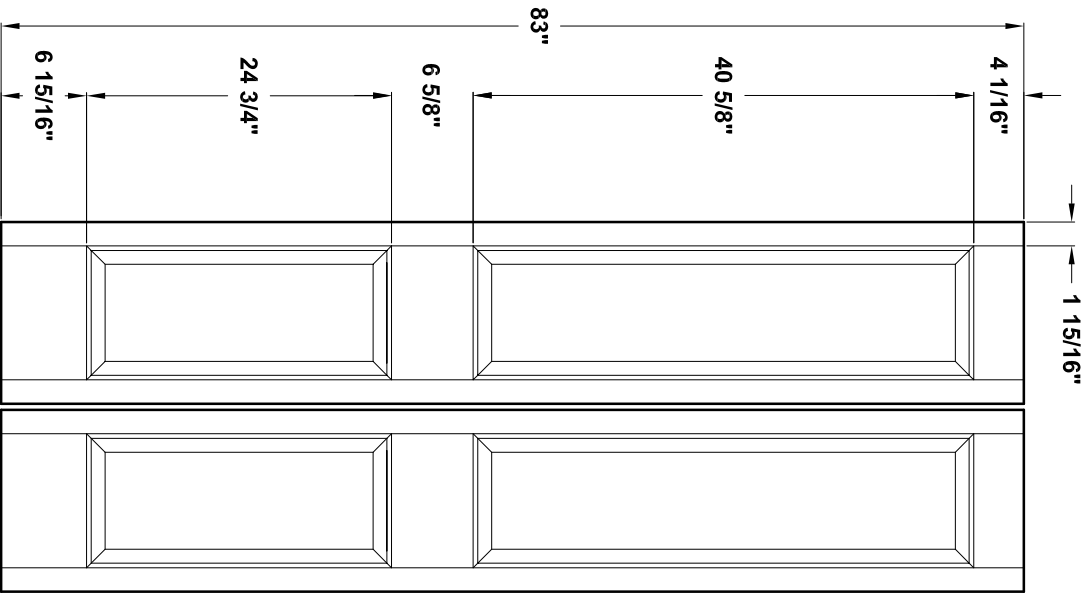
Specification sheet

Title: 4 - 5 Panel door
 Height: 84"

Creation date: 2004-June-03
 Prep. by: J.C.
 Revision date: 2005-02-22
 Rev: 1
 Scale: nts



D84-02



+ 1 " for hardware
 Finished opening required: 84 3/4 "

Specification sheet

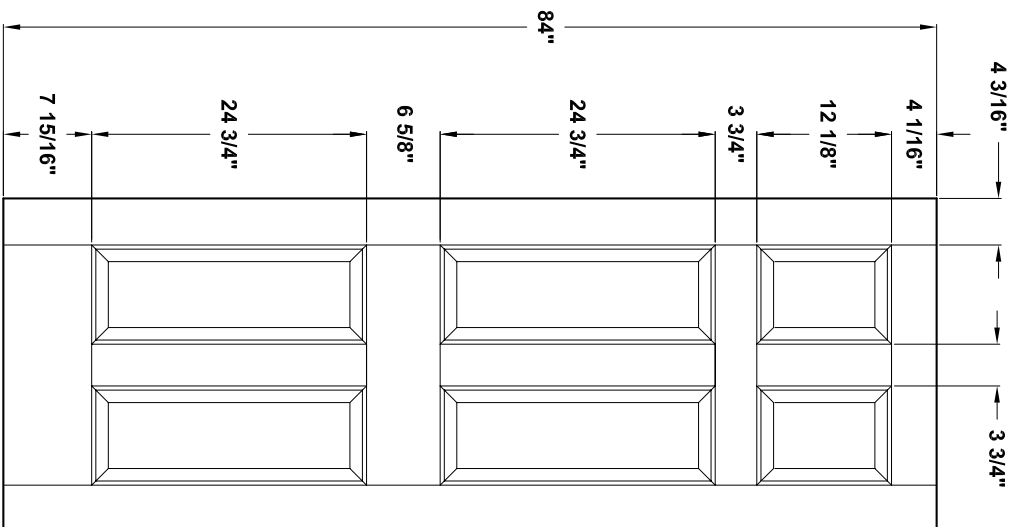
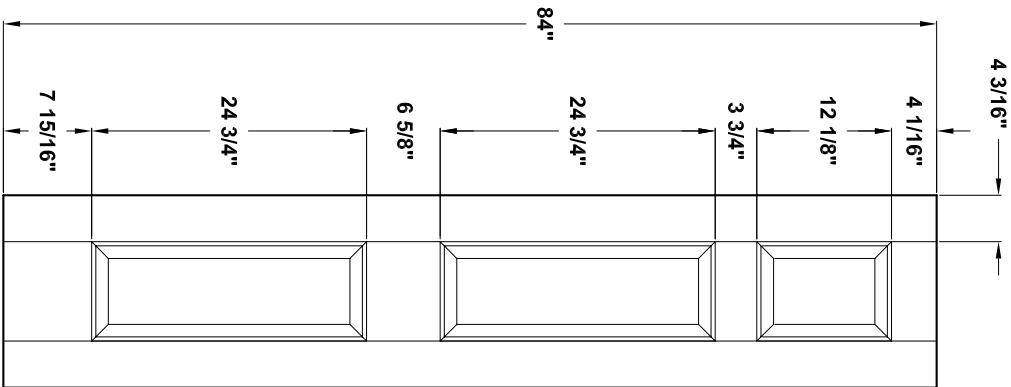
Title 2-3 Panel door Bifold Height 84"

Creation date 2004-June-03
 Prep. by: J.C.
 Revision date 2005-02-22
 Scale nts
 Rev. 1



D84-03

Door width	12" to 16"	18" to 36"
stile width "A"	3 3/16"	4-3/16"



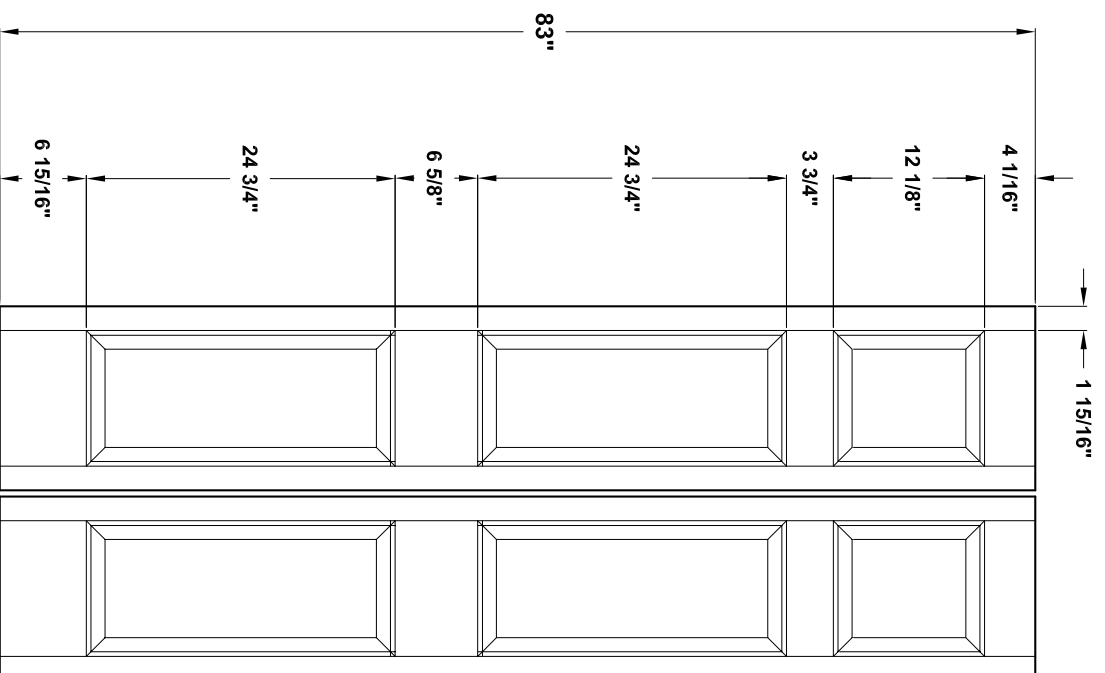
Specification sheet

Title **6 Panel door** Height **84"**

Creation date **2004-June-03**
 Prep. by: **J.C.**
 Revision date **2005-02-22**
 Scale **nts**
 Rev. **1**



D84-04



+ 1 " for hardware
 Finished opening required: 84 3/4 "

Specification sheet

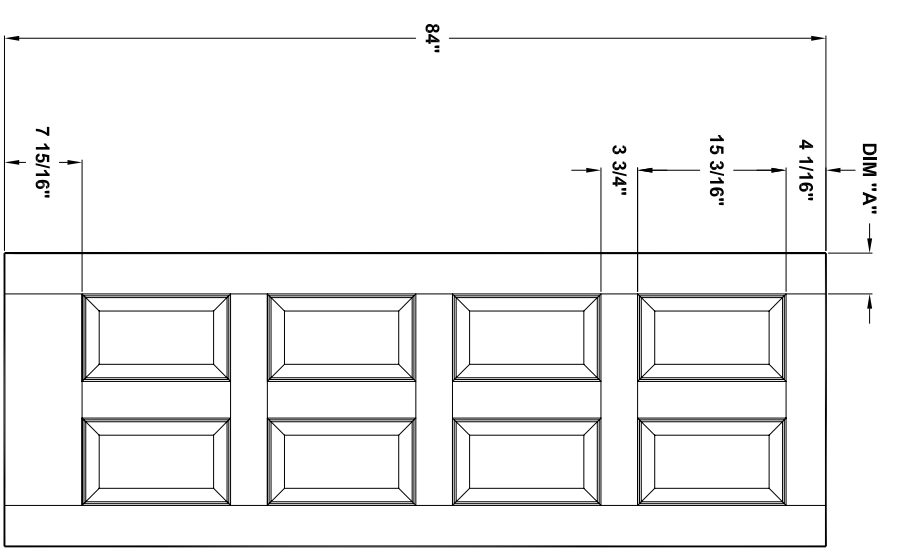
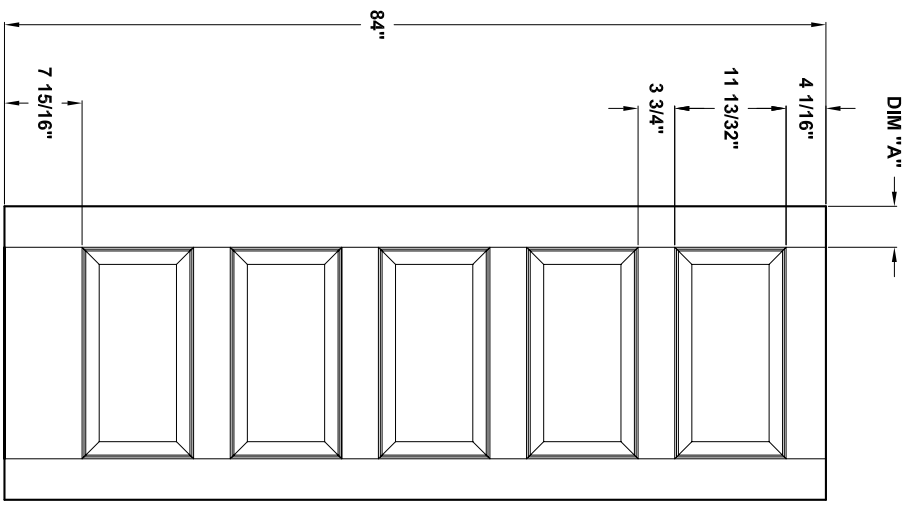
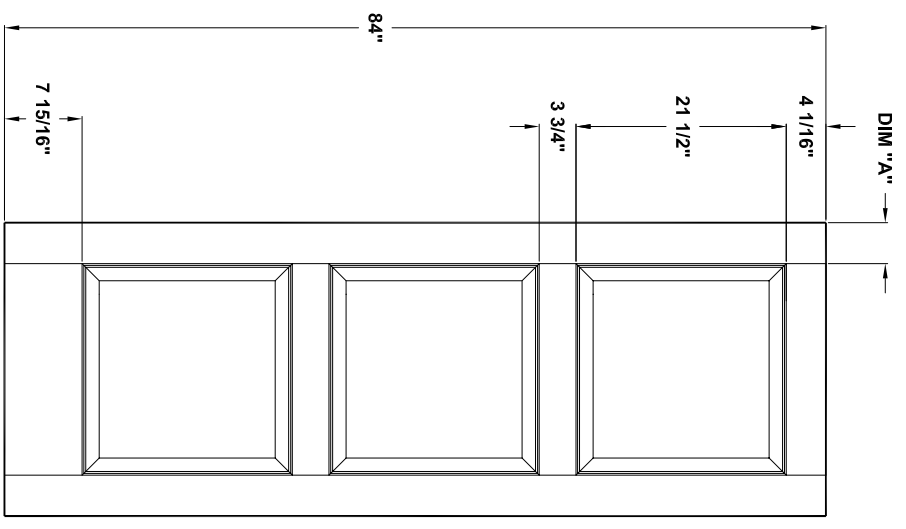
Title	6 Panel door Bifold	Height	84"
-------	---------------------	--------	-----

Creation date	2004-June-03
Prep. by:	J.C.
Revision date	2005-02-22
Rev.	1
Scale	nts



D84-05

Door width	12" to 16"	18" to 36"
Stile width "A"	3-3/16"	4-3/16"



Specification sheet

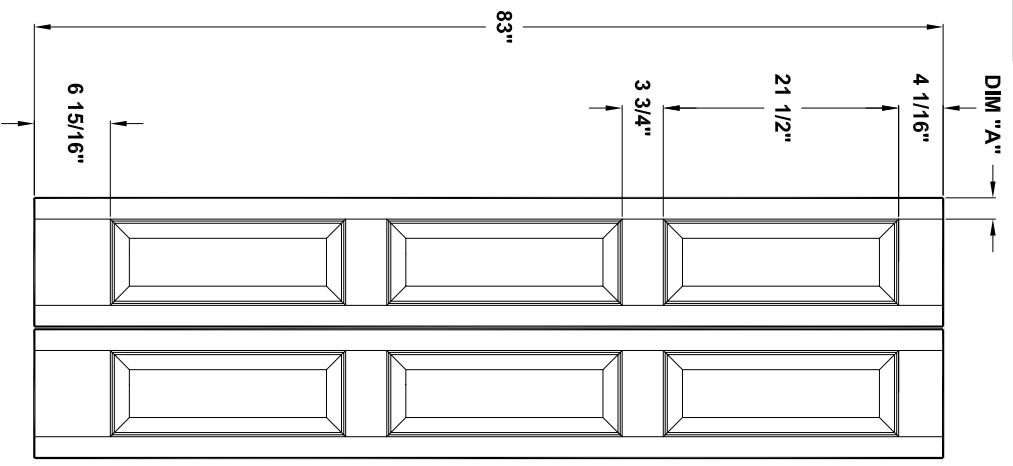
Title **3-5-8 Panel Equal**

Height **84"**

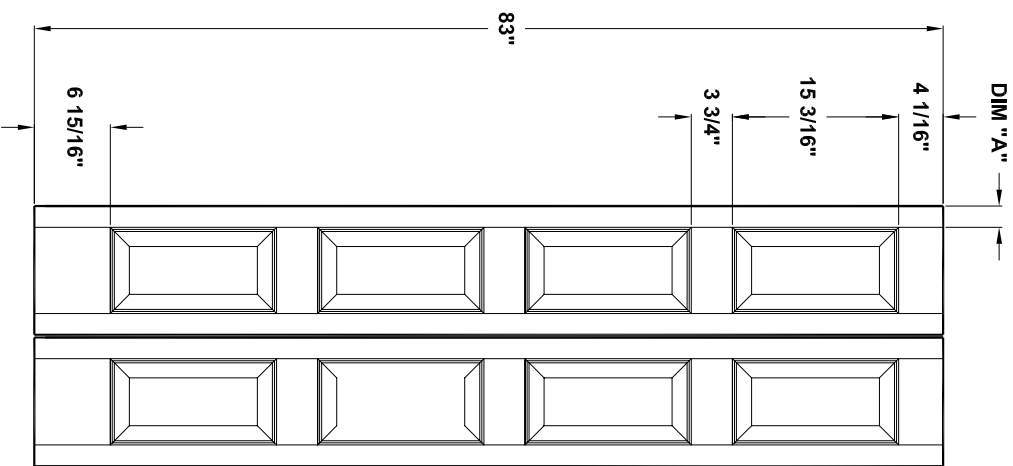
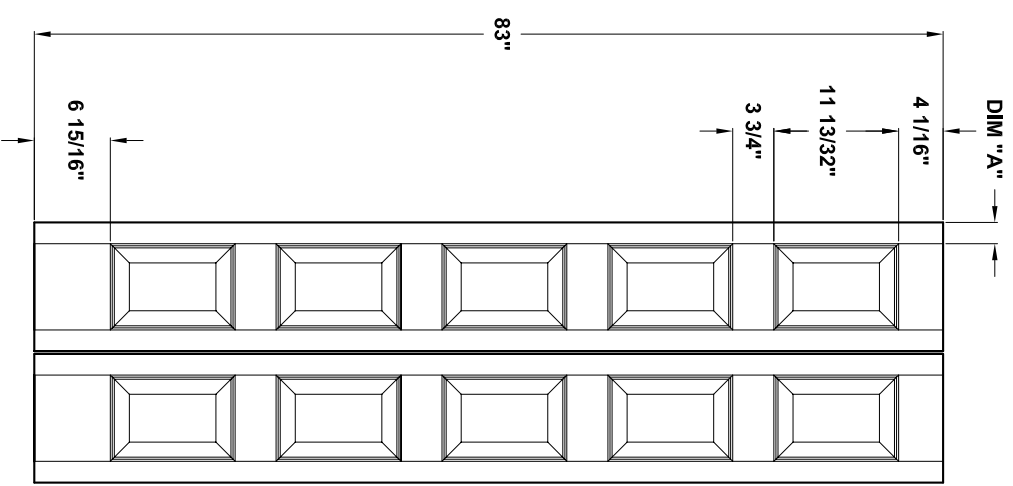
Creation date **2004-June-03**
 Prep. by: **J.C.**
 Revision date **-** Rev. **0**
 Scale **nts**

D84-06

Door width	24" to 36"
stile width "A"	1-15/16"



+ 1 " for hardware
 Finished opening required: 84 3/4 "



Specification sheet

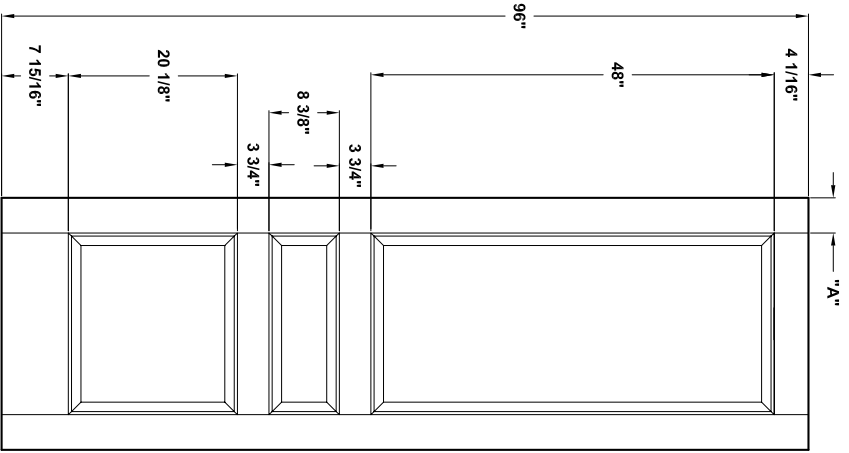
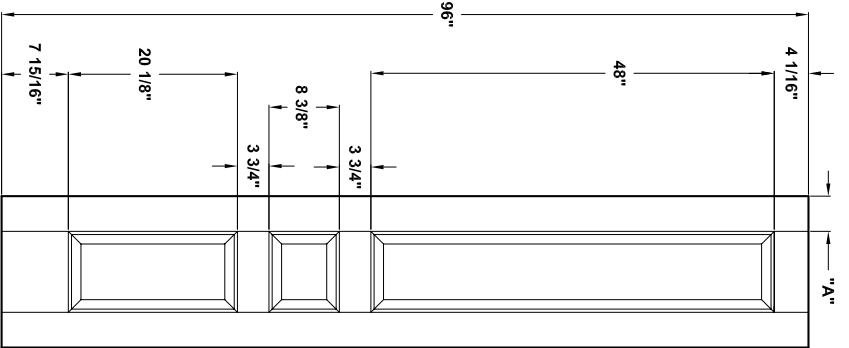
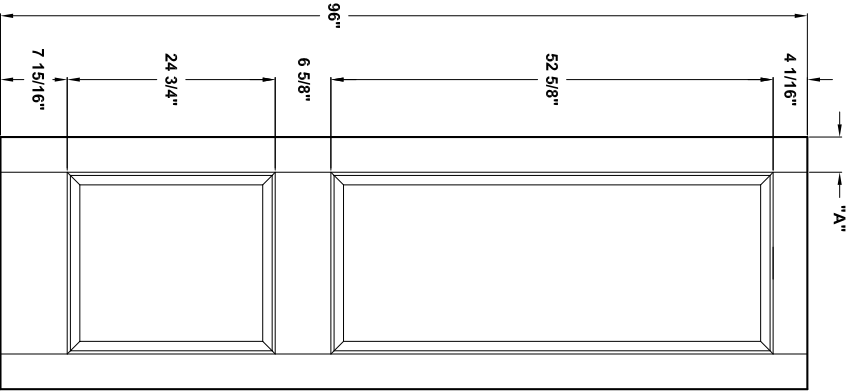
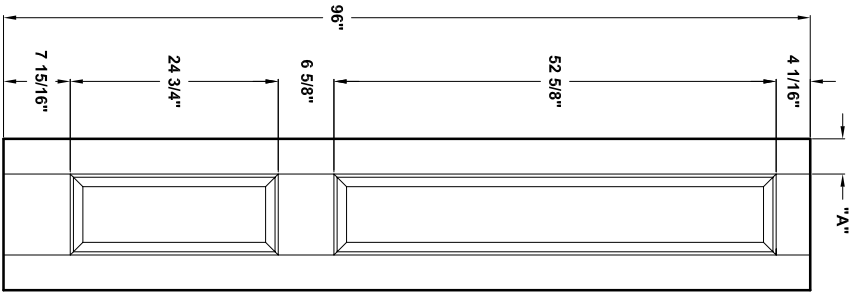
Title	3-5-8 Panel Equal Bifold	Height	84"
-------	--------------------------	--------	-----

Creation date	2004-June-03
Prep. by:	J.C.
Revision date	-
Rev.	0
Scale	nts



D84-07

Door width	12" to 16"	18" to 36"
stile width "A"	3 3/16"	4-3/16"



Specification sheet

Title	2 - 3 Panel door	Height	96"
-------	------------------	--------	-----

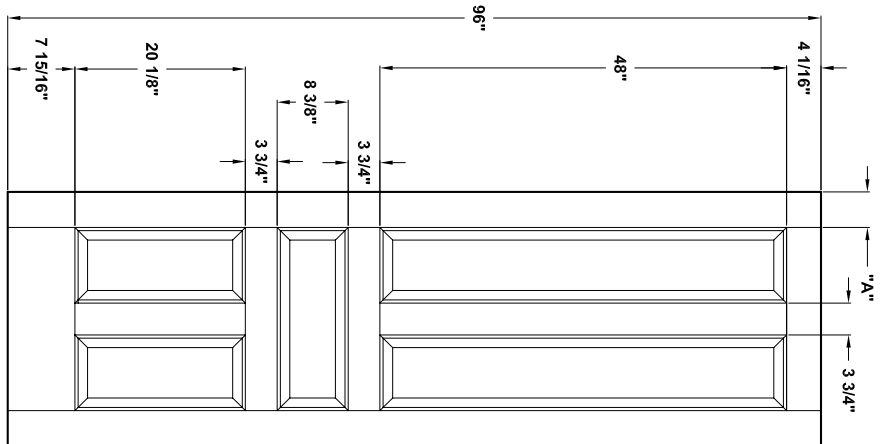
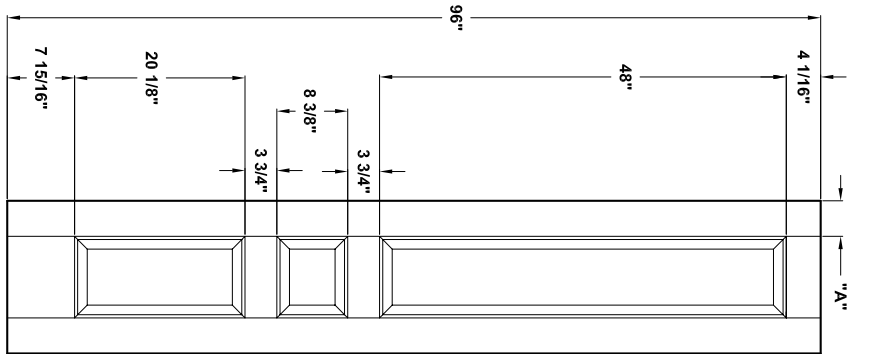
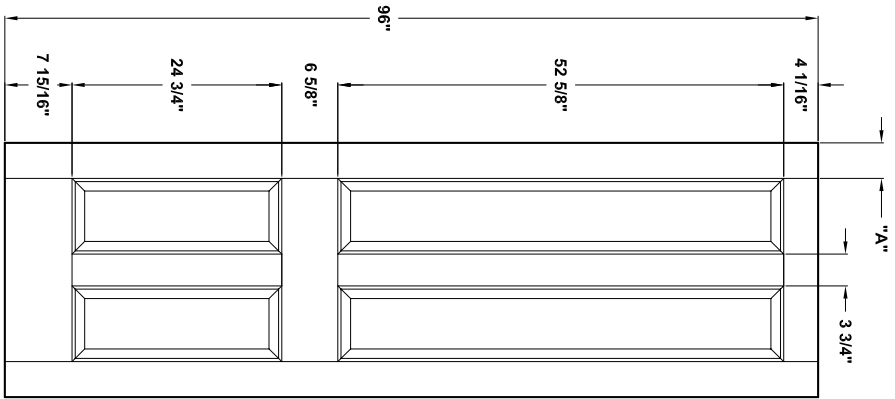
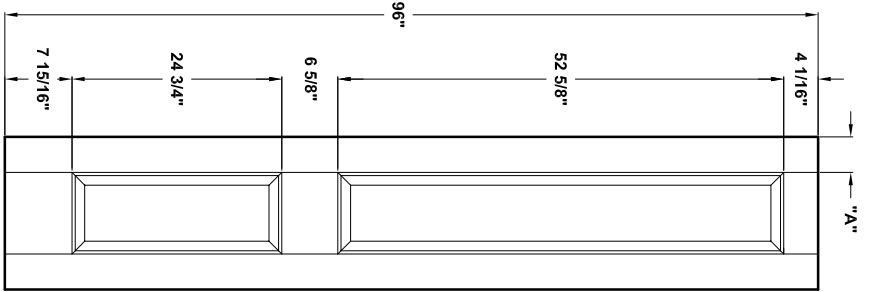
Creation date	2004-June-03
Prep. by:	J. C.
Revision date	2005-02-22
Scale	nts



Masonite
Masonite International Corporation

D96-01

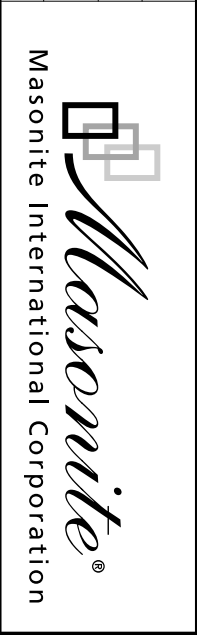
Door width	12" to 16"	18" to 36"
stile width "A"	3 3/16"	4-3/16"



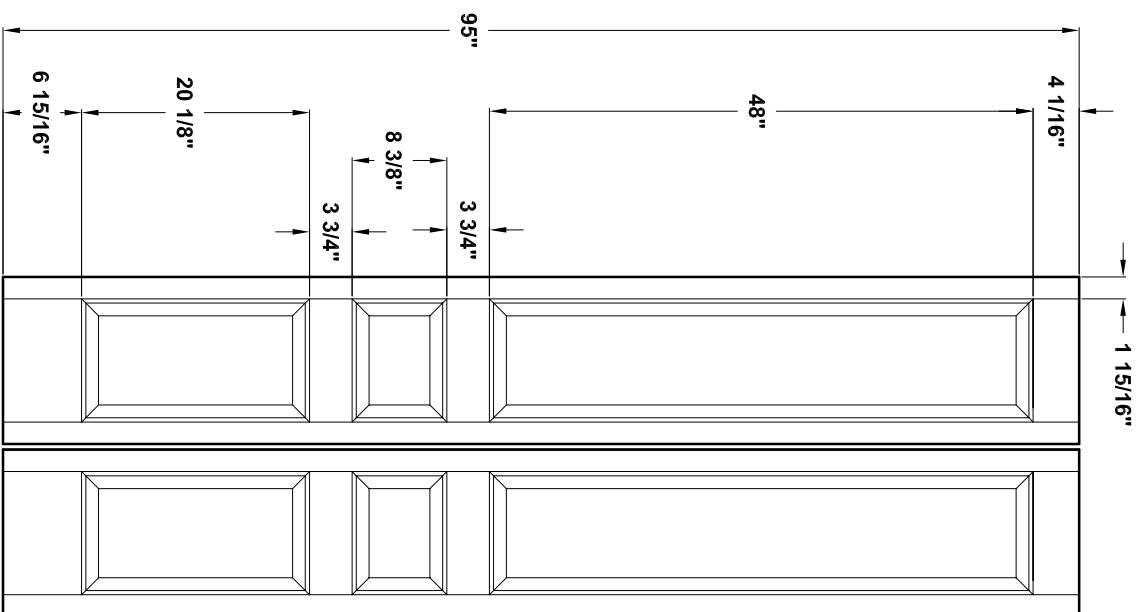
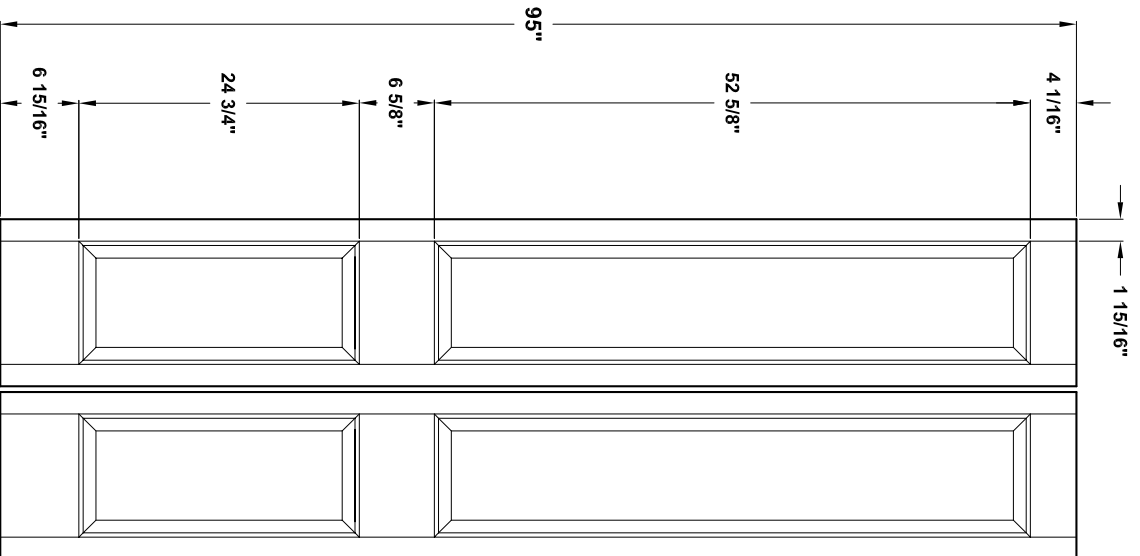
Specification sheet

Title: 4 - 5 Panel door
 Height: 96"

Creation date: 2004-June-03
 Prep. by: J.C.
 Revision date: 2005-02-22
 Rev. 1
 Scale: nts



D96-02



+ 1 " for hardware
 Finished opening required: 96 3/4 "

Specification sheet

Title
 2-3 Panel door Bifold

Height
 96"


Creation date
 2004-June-03

Prep. by: J.C.

Revision date
 2005-02-22

Rev.
 1

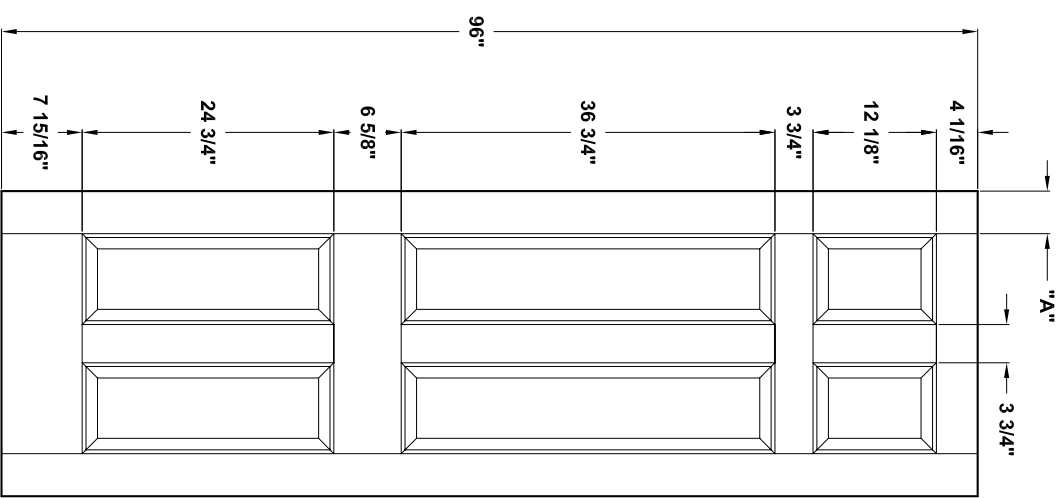
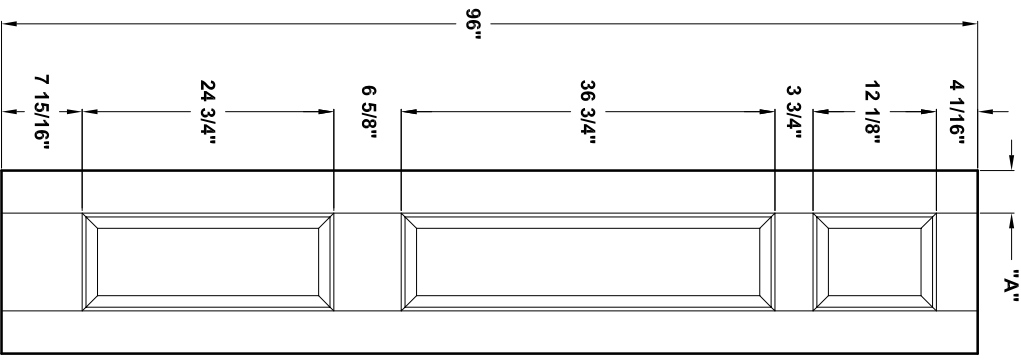
Scale nts



Masonite[®]
 Masonite International Corporation

D96-03

Door width	12" to 16"	18" to 36"
stile width "A"	3 3/16"	4-3/16"



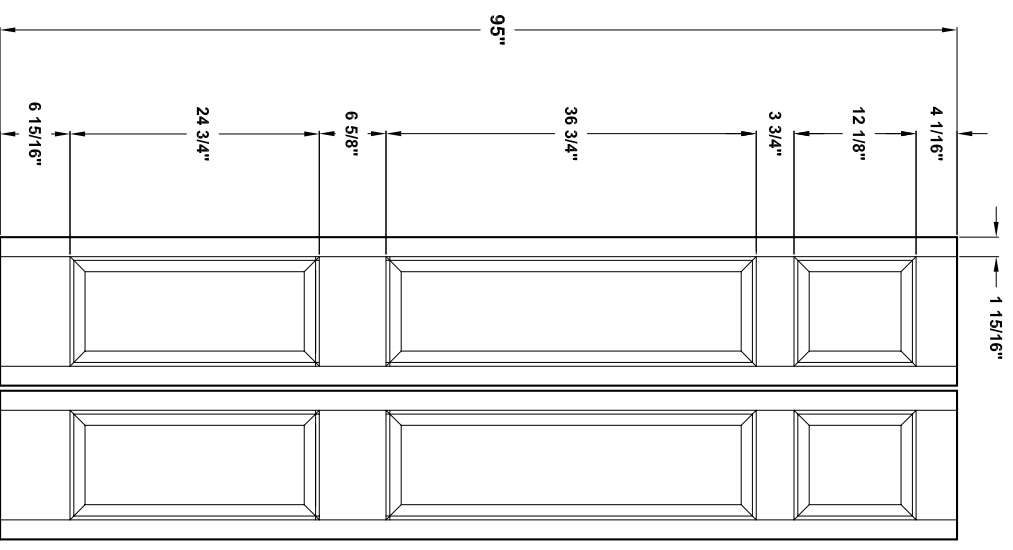
Specification sheet

Title **6 Panel door** Height **96"**

Creation date **2004-June-03**
 Prep. by: J.C.
 Revision date **2005-02-22** Rev. **1**
 Scale nts



D96-04



+ 1 " for hardware
 Finished opening required: 96 3/4 "

Specification sheet

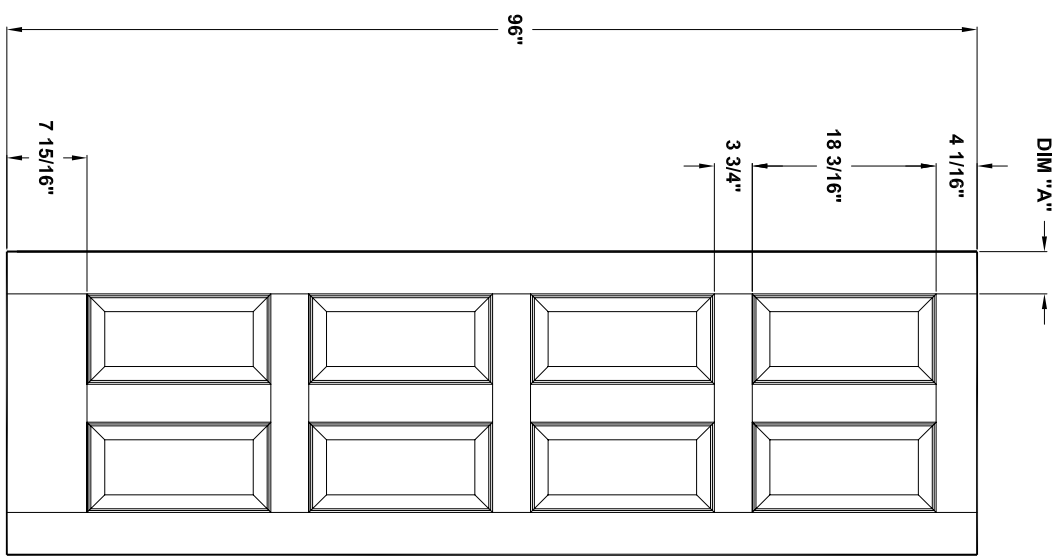
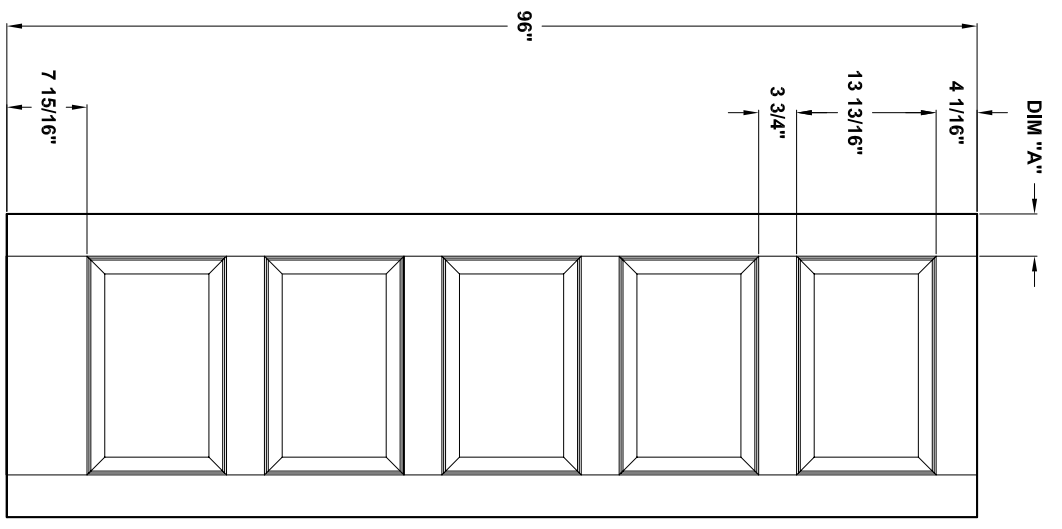
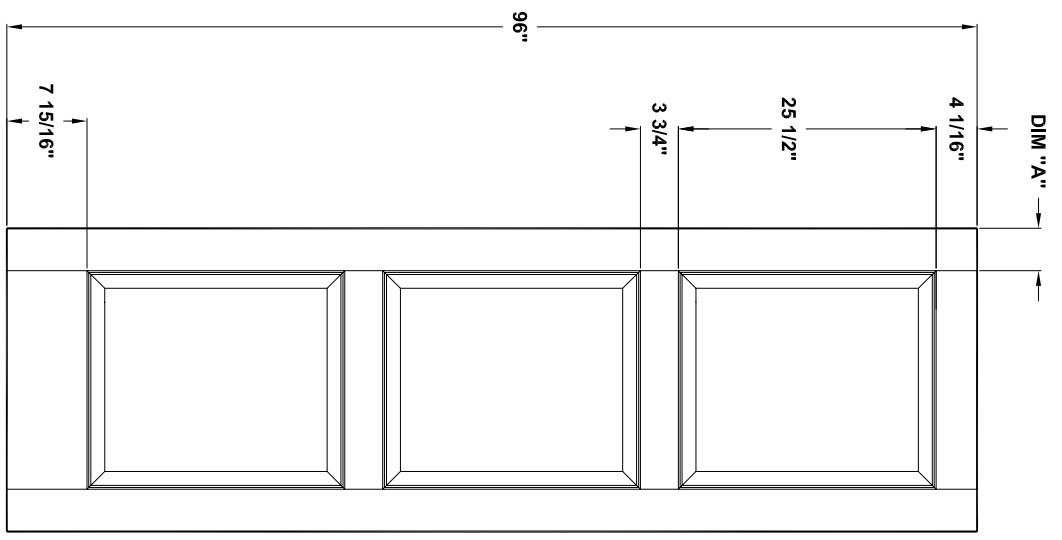
<i>Title</i>	6 Panel door Bifold	<i>Height</i>	96"
--------------	---------------------	---------------	-----

<i>Creation date</i>	2004-June-03
<i>Prep. by:</i>	J.C.
<i>Revision date</i>	2005-02-22
<i>Scale</i>	nts
<i>Rev.</i>	1



D96-05

Door width	12" to 16"	18" to 36"
Stile width "A"	3-3/16"	4-3/16"



Specification sheet

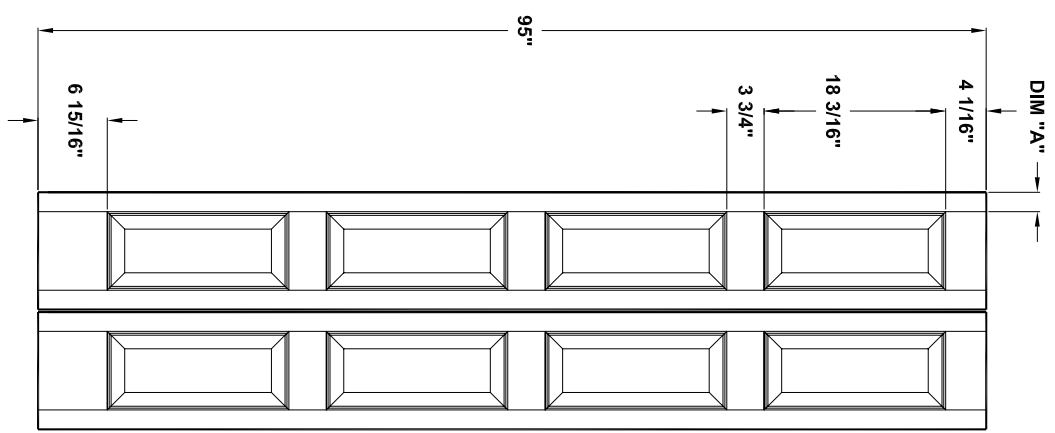
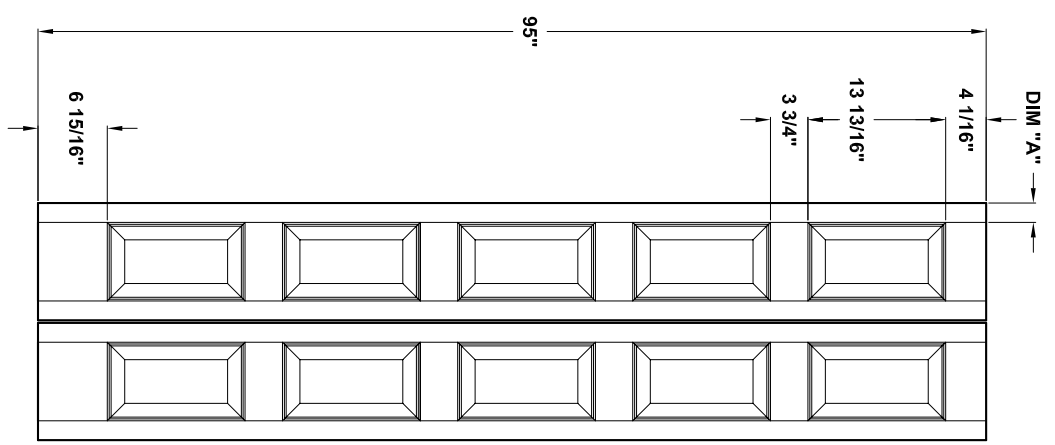
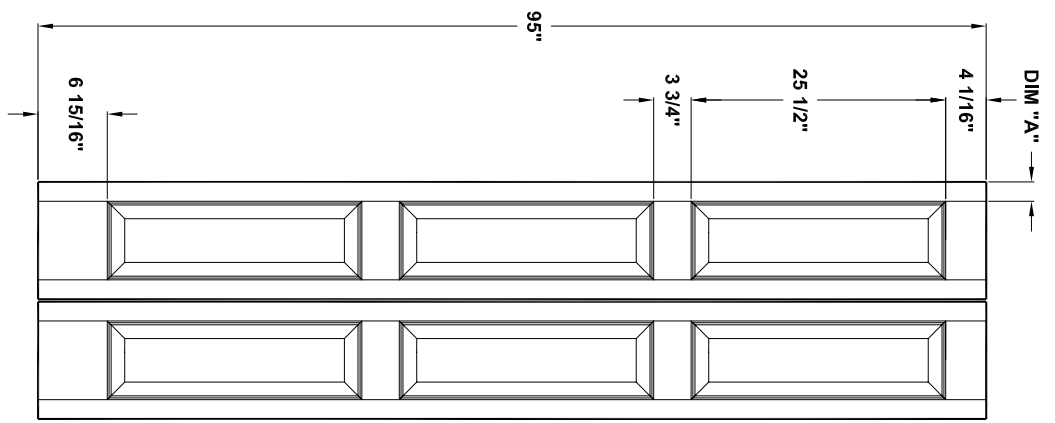
Title **3-5-8 Panel Equal** Height **96"**

Creation date	2004-June-03
Prep. by:	J.C.
Revision date	-
Rev.	0



D96-06

Door width	24" to 36"
stile width "A"	1-15/16"

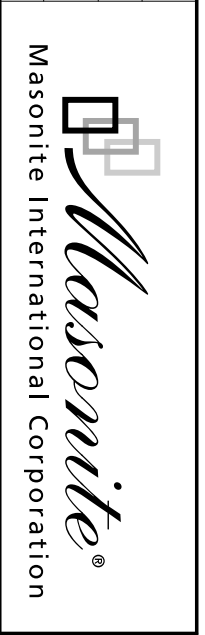


+ 1 " for hardware
 Finished opening required: 96 3/4 "

Specification sheet

Title
 3-5-8 Panel Equal Bifold
 Height
96"

Creation date	2004-June-03
Prep. by:	J.C.
Revision date	-
Scale	nts
Rev.	0



D96-07